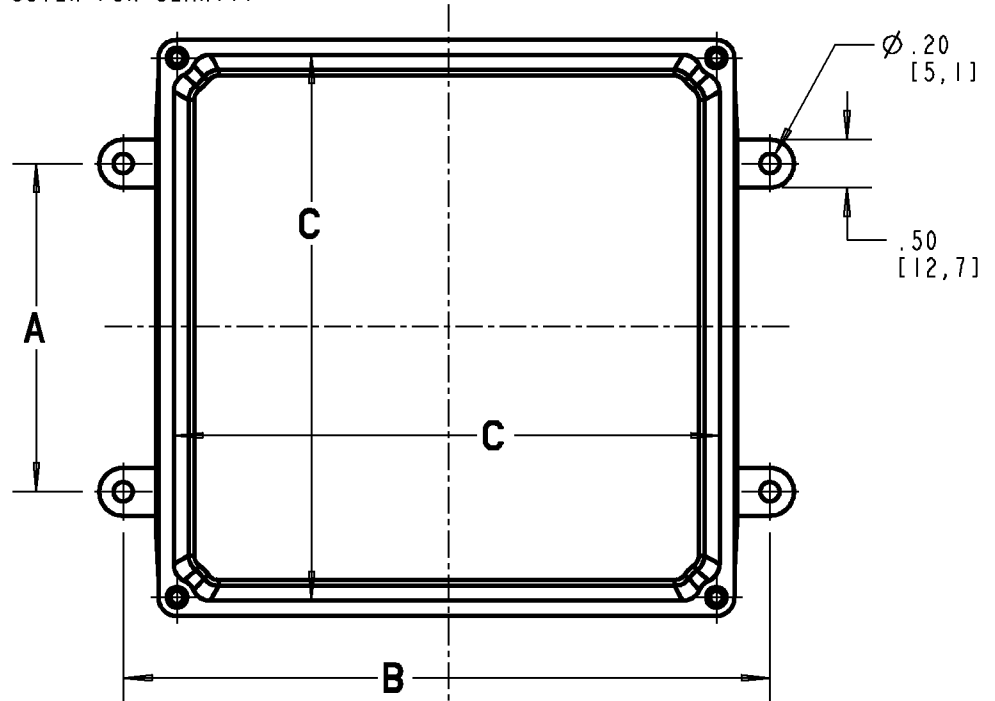
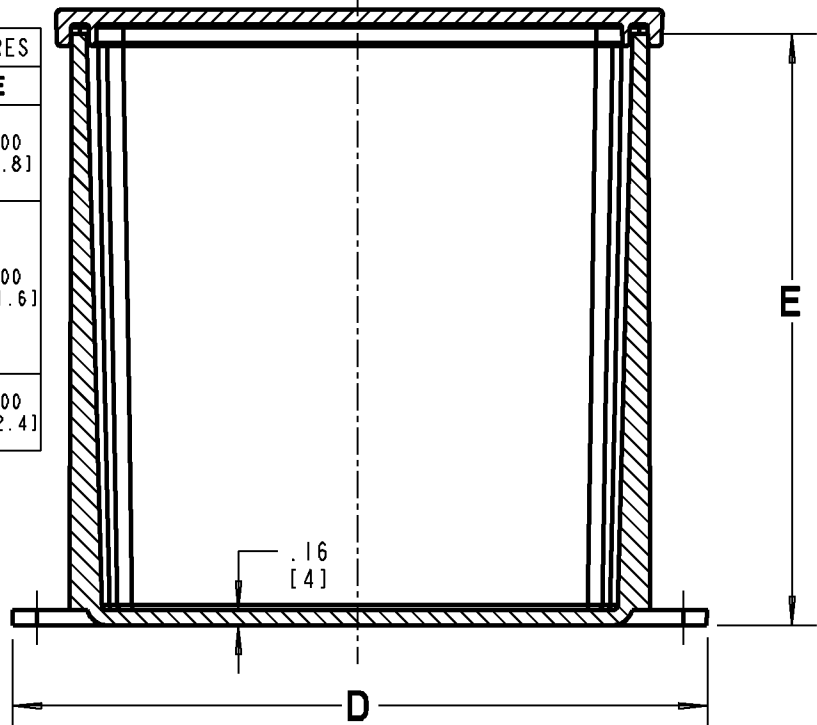


Carlton®

VIEW SHOWN WITHOUT
COVER FOR CLARITY



SIZE	MOLDED NON-METALLIC ENCLOSURES				
	A	B	C	D	E
E989PPJ E989PPJ-CAR E989PPJW (5X5X2)	3.12 [79.2]	5.62 [142.7]	4.68 [118.9]	6.12 [155.4]	2.00 [50.8]
E987R E987R-AS E987RB E987R-CAR E987RR E987RRCL E987RRL (6X6X4)	3.42 [86.8]	6.74 [171.2]	5.68 [144.3]	7.24 [183.8]	4.00 [101.6]
E989RRR E989RRRCL (6X6X6)	3.42 [86.8]	6.74 [171.2]	5.68 [144.3]	7.24 [183.8]	6.00 [152.4]



NOTES:

1. MATERIAL: POLYCARBONATE
2. NEMA TYPE: 4/4X, 6P

GENERAL NOTES

1. ALL DIMENSIONS ARE FOR REFERENCE ONLY.
2. DIMENSIONS IN BRACKETS [] ARE IN METRIC UNITS.

REVISIONS

** SEE ERN (****) FOR APPROVAL SIGNATURES & RELEASE DATE.
PROJECT NO: ****

Thomas & Betts
www.tnb.com

DESCRIPTION: **MOLDED NON-METALLIC ENCLOSURES**

ORIGINAL PROJECT NO / (ERN NO)

SHEET NO:

REV. NO:

DRAWING NO:

/ ()

1 OF 1

E

WSD-AC01978

THIS DRAWING IS INTENDED FOR DESCRIPTIVE PURPOSES ONLY. AND THE RIGHT IS RESERVED TO DEVIATE FROM ANY OF THE DETAILS SHOWN HEREON.
©2008 Thomas & Betts - Proprietary, All Rights Reserved