

# Ty-Rap®

## Cable Ties



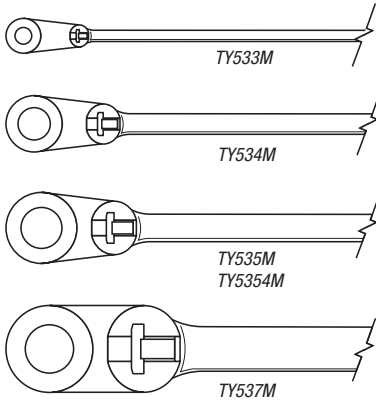
TY533M



TYF535M

Great for use with screws, nuts and bolts for secure fastening to surfaces.

### Ty-Rap® Nylon 6.6 Mounting Head Cable Ties



STD. CAT. NO.	BULK CAT. NO.	BODY WIDTH IN./MM.	LENGTH IN./MM.	MAX. WIRE BUNDLE DIA. IN./MM.	MOUNTING HOLE	TENSILE STRENGTH LBS./N.	STD. PKG. QTY.	BULK PKG. QTY.
TY533M	TY33M	.09/2.29	4.00/101.60	.63/16.00	#4	18/80.07	100	1,000
TY534M	TY34M	.14/3.56	6.00/152.40	1.13/28.70	#8	40/177.90	100	1,000
TY535M	TY35M	.18/4.57	7.80/198.12	1.75/44.45	#10	50/222.40	100	1,000
TY5354M	TY354M	.18/4.57	14.60/370.84	4.00/101.60	#10	50/222.40	100	1,000
—	TY635M	.19/4.83	7.80/198.12	1.77/44.96	.19	50/222.40	—	1,000
TYF535M	TYF35M	.19/4.83	7.24/183.90	1.77/44.96	.19	50/222.40	100	1,000
TY537M	TY37M	.30/7.62	13.90/353.06	3.50/88.90	¼	120/533.80	50	500

For use in temperatures ranging from -40° F to 185° F (-40° C to 85° C).

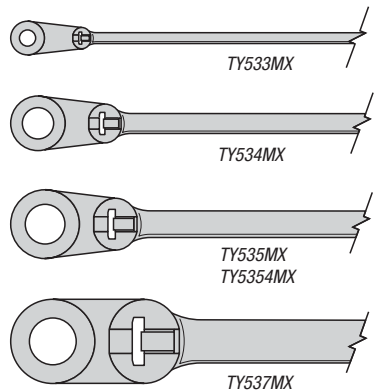
• Natural nylon color



### Ty-Rap® Nylon 6.6 Mounting Head Cable Ties — Weather Resistant



The MX series cable ties are recommended for outdoor use. The addition of carbon black provides good ultraviolet resistance and prolongs the useful life of the cable tie.



STD. CAT. NO.	BULK CAT. NO.	BODY WIDTH IN./MM.	LENGTH IN./MM.	MAX. WIRE BUNDLE DIA. IN./MM.	MOUNTING HOLE	TENSILE STRENGTH LBS./N.	STD. PKG. QTY.	BULK PKG. QTY.
TY533MX	TY33MX	.09/2.29	4.00/101.60	.63/16.00	#4	18/80.07	100	1,000
TY534MX	TY34MX	.14/3.56	6.00/152.40	1.13/28.70	#8	40/177.90	100	1,000
TY535MX	TY35MX	.18/4.57	7.80/198.12	1.75/44.45	#10	50/222.40	100	1,000
TY5354MX	TY354MX	.18/4.57	14.60/370.84	4.00/101.60	#10	50/222.40	100	1,000
TY537MX	TY37MX	.30/7.62	13.90/353.06	3.50/88.90	¼	120/533.80	50	500

• Black color

For use in temperatures ranging from -40° F to 185° F (-40° C to 85° C).



TY538M



TY554M

### Ty-Rap® Nylon 6.6 Push Mount Cable Ties

For use in 3/16" and 1/4" pre-drilled holes. Thickness panel .09 max. (TY554M)  
Range .04–156 (TY538M)



STD. CAT. NO.	BULK CAT. NO.	BODY WIDTH IN./MM.	LENGTH IN./MM.	MAX. WIRE BUNDLE DIA. IN./MM.	MOUNTING HOLE	TENSILE STRENGTH LBS./N.	STD. PKG. QTY.	BULK PKG. QTY.
TY554M	TY54M	.14/3.56	5.96/151.38	1.13/28.70	3/16	40/177.90	100	1,000
TY538M	TY38M*	.18/4.57	7.80/198.12	1.75/44.45	¼	50/222.40	100	1,000

\*Nylon 6.6 UV weather resistant version available (TY38MX).

For use in temperatures ranging from -40° F to 185° F (-40° C to 85° C).

• Natural nylon color