

SKR Series

Universal Strip Retrofit Kit w/Reflector

INTENDED USE:

Designed to convert 4' or 8' T12 or T8 industrial and strip fixtures to more efficient T8, T5 or LED technology. Choose between retrofitting with a reflector for enhanced performance or simply a ballast cover. Both kits utilize a Universal Socket Bracket engineered to fit most fluorescent channels from 4" to 5.25" in width. The Reflector/Ballast Cover mounts to socket brackets with quarter-turn fasteners for easy maintenance after retrofit is complete. The Universal Socket Bracket ships flat and easily folds to fit channels and requires only simple hand tools.

LAMP

1, 2 or 3 lamp positions

HOUSING

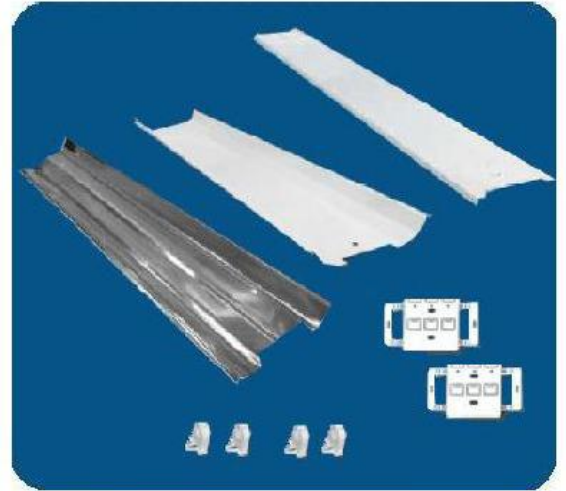
Die formed cold rolled steel body with heavy duty construction. Mates with Parabolic louver.

MOUNTING

The SKR universal strip retrofit kit mounts easily, requiring only simple hand tools. The process includes removal of the existing ballast cover(s) and removal of the existing socket brackets and ballast. The new reflector is then attached to the existing strip channel with a universal socket bracket and self-tapping screws. The universal socket bracket can fit channels from 4" to 5 1/4" in width. The reflector serves as the ballast cover. Mount and connect new ballast to sockets. Close the reflector using captive quarter turns and install lamps.

REFLECTORS

Precision formed, high performance, premium mirrored specular reflector or enhanced white reflector.



ELECTRICAL

Lamps are secured with rotary locking lamp sockets for ease of relamping and to reduce lamps disconnecting due to vibration or incidental contact. Suitable for damp locations. Lamp sockets accept No. 18 gauge wire, either solid, solder dipped or twisted-tinned or fuse wire.

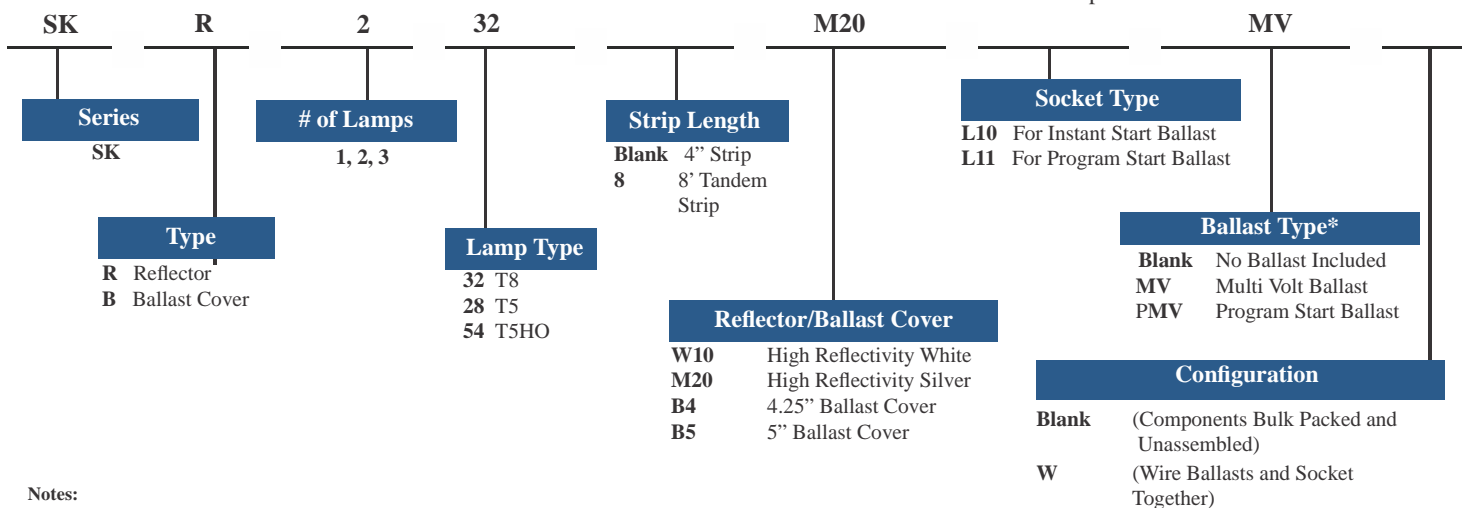
LISTING

Fixture and Ballast: UL Listed
Thermally protected, class P, HPF, Non PCB

TYPICAL OPTIONS AND ACCESSORIES

Emergency ballasts, whips, wire guards and tube guards. See options page at the end of the T02STRIP section, or contact factory for more details.

ORDERING INFORMATION



Example: SKR232M20LMV

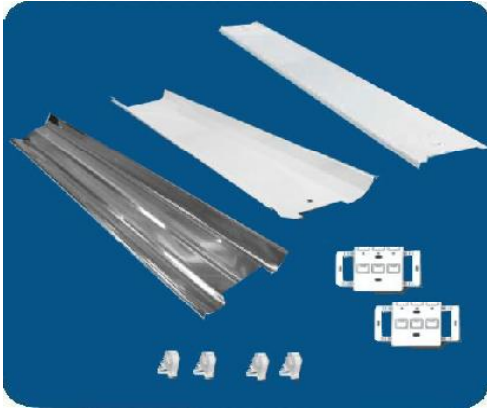
Notes:

- [1] See end of T02GRID for many additional lamps, ballasts, finishes and options.
- [2] HiLume and Multivolt dimming ballasts available for T8 lamps only.
- [3] Dimming ballasts available for T8 & T5HO lamps only.

Catalog Number:
Notes:

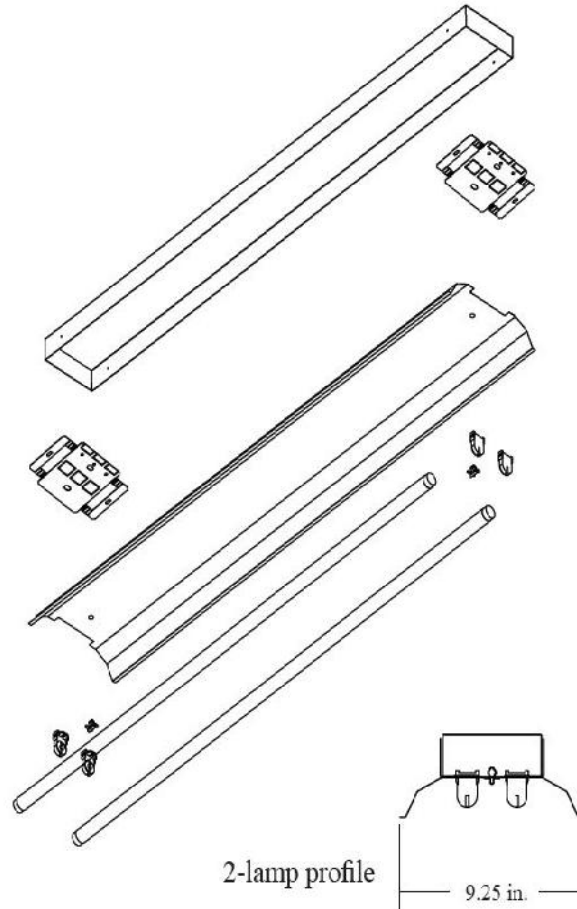
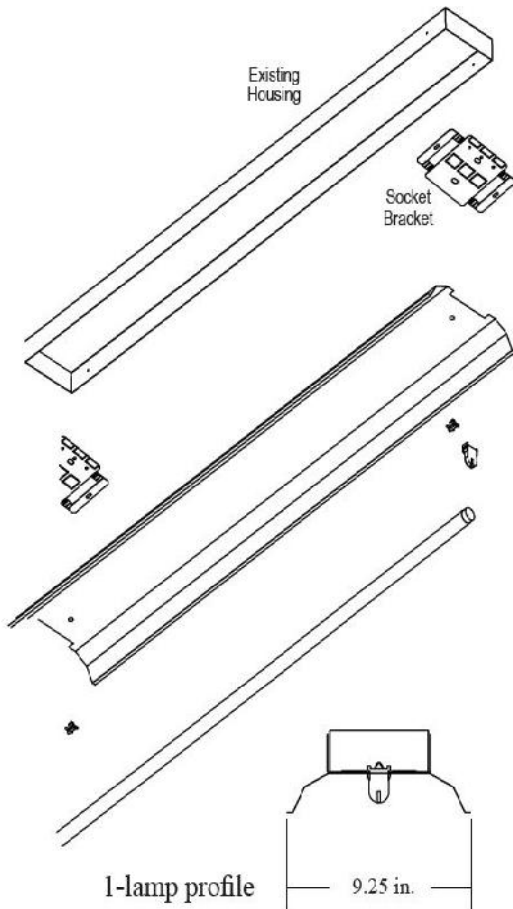
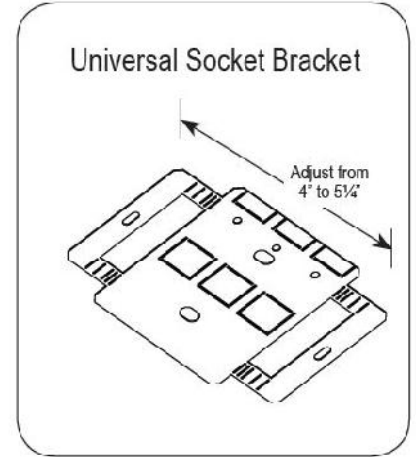
SKR

Universal Strip Retrofit Kit w/ Reflector



DIMENSIONS

All dimensions are inches. Specifications subject to change without notice.



Catalog Number:
Notes:

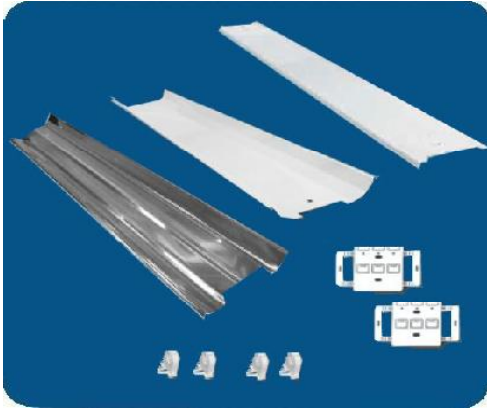
SKR

Universal Strip Retrofit Kit w/ Reflector



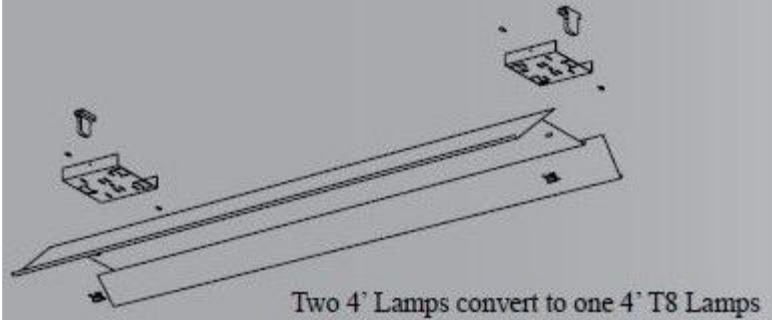
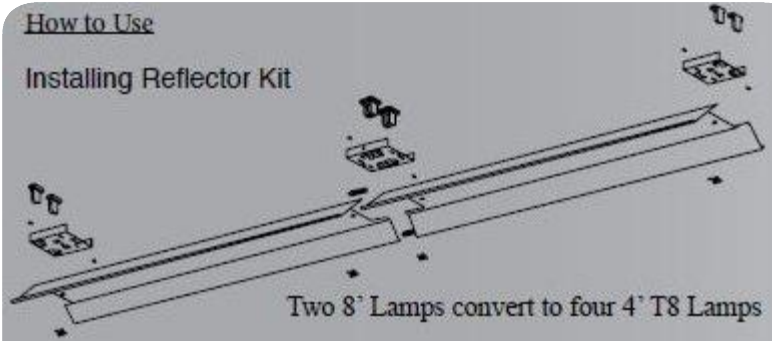
TEXAS

FLUORESCENTS



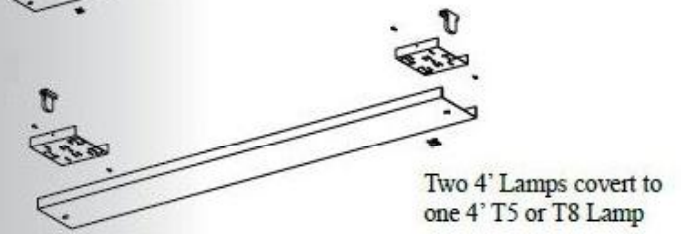
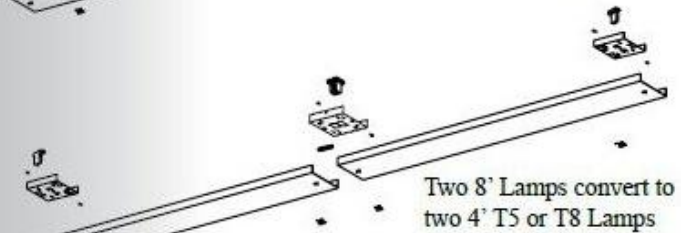
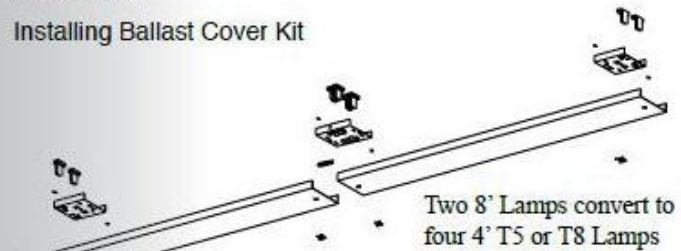
How to Use

Installing Reflector Kit



How to Use

Installing Ballast Cover Kit



Catalog Number:

Notes:

Texas Fluorecents
2055 Luna Rd. Suite 142 Carrollton, TX 75006
Phone: 972-247-3171 Fax: 972-247-0200

www.texasfluorecents.com email: sales@texasfluorecents.com