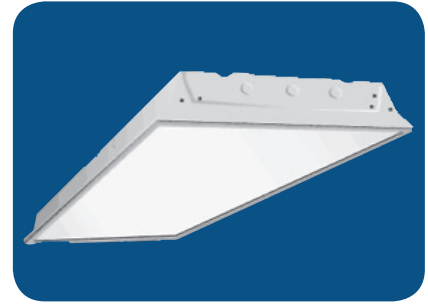


131 2' x 4'

Lensed Static Troffer,
Grid Mount



FEATURES & SPECIFICATIONS

INTENDED USE

Specification grade, low profile troffer meets an almost limitless range of applications. Troffer is ideal for all commercial and industrial buildings requiring general illumination with recessed configurations.

SIZE W x L x H in inches (mm)

23.75W x 48.0L x 4.0Dp (600 x 610 x 100)

LAMP

2, 3, or 4 lamp positions.

MATERIALS & FEATURES

Housing is die-formed and embossed code 22 gage steel. Finish is high reflectance baked white enamel. Wiring knockouts are provided on back and end of housing. Ballast cover or reflector snaps into place; no tools required for ballast access. Lens is held with a hinged steel door frame; frame hinges downward on either side and is held closed by two positive cam latches. Premium, full specular reflectors are available as an option to increase efficiency or modify lighting distribution.

- POST PAINTED POWDER COAT FINISH
- Shallow design for low clearance plenums
- Clear 0.10thk A12 acrylic lens is standard; many options available.
- Flush steel hinges from either side; field reversible.
- Access plate to simplify installation

MOUNTING

Recessed inverted T-Bar ceilings. Grid mount.

LISTING

Fixture & Ballast: UL Listed Ballast: Thermally protected, class P, HPF, Non PCB

TYPICAL OPTIONS AND ACCESSORIES

Emergency ballasts, whips, regressed doors, wire guards, frame kits, and lenses. See options page at the end of the T02Grid section, or contact factory for more details.

***See HB131 Series for 6 lamp conversion**

ORDERING INFORMATION

Example: 131 A 432 E120

131	A	4	32	E120	
Series	Lamp Count	Lamp Type [1]		Ballast & Voltage [1]	
131 Lensed Static Troffer, Grid Mount	2, 3, or 4 Lamps Not included	40	48 in. T12 [7]	E120	Electronic, 120V
		32	48 in. T8	E277	Electronic, 277V
		28	46 in. T5	MV	Electronic, Multivolt (120-277)
		54	46 in. T5HO	H120 [4]	Electronic, 120V, Hi-Lume
				H277 [4]	Electronic, 277V, Hi-Lume
				H120 [4]	Electronic, 120V, Lo-Lume
				H277 [4]	Electronic, 277V, Lo-Lume
				LMV [4]	Electronic, Multivolt, Lo-Lume
				G120 [5]	Line Dimming, 120 Volt
				G277 [5]	Line Dimming, 277 Volt
				GMV [5]	Line or 0-10V dimming, Multivolt
				Reflector [3]	
				(blank)	no reflector [3]
				M20	Mirrored reflector
					Options [1]
				RA	Regressed aluminum door, white
				RAB	Regressed aluminum door, black
				WP	6 ft. 3 wire 18 gauge whip
				WP10	6 ft. 4 wire 18 gauge whip
				EM	Emergency ballast, 500 lumens
				EM14	Emergency ballast, 1400 lumens

Notes

- [1] See end of T02Grid for many additional lamps, ballasts, finishes, and options.
- [2] Many additional lens materials are available. Contact factory for additional information.
- [3] Custom reflectors available to create any light distribution.
- [4] HiLume and LoLume ballasts available for T8 lamps only.
- [5] Line dimming ballasts available for T8 & T5HO lamps only.
- [6] Magnetic ballasts available for T8 & T12 only.
- [7] Magnetic & electronic T12 ballasts drive a 34W energy saver lamp.

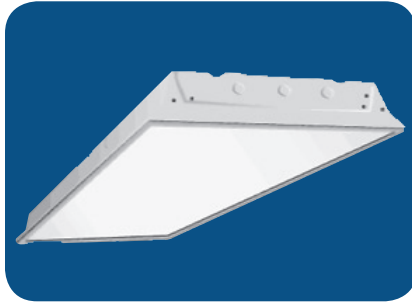
EM14 ballast required for T5 & T5HO lamps

Catalog Number:

Notes:

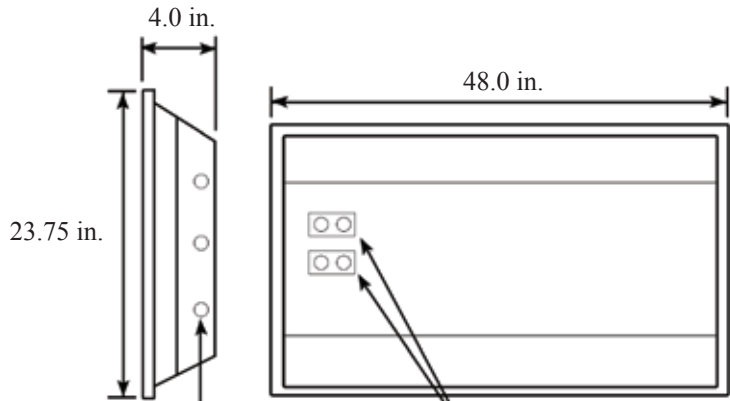
131 2' x 4'

Lensed Static Troffer, Grid Mount



DIMENSIONS

All dimensions are inches. Specifications subject to change without notice.



1/2' Nom. (0.88 in. Actual)
EKO In Both Ends and Back

Access Plate
On Center For 2 & 4 Lamp Models
Off Center For 3 Lamp Models

PHOTOMETRICS

Lamping: 3 light F28T5
Efficiency: 84.0%

Lamping: 2 light F28T5
Efficiency: 82.8%

		Coefficients of Utilization											
		80%			70%			50%					
RCR	f p	70%	50%	30%	10%	50%	30%	10%	50%	30%	10%		
		pc											
	pw												
0		100	100	100	98	98	98	93	93	93			
1		92	88	85	82	86	83	81	83	80	78		
2		84	78	73	68	76	72	67	73	69	66		
3		77	69	63	58	68	62	57	65	60	56		
4		71	62	55	49	61	54	49	59	53	48		
5		66	55	48	43	55	48	43	53	47	42		
6		61	50	43	38	49	43	38	48	42	37		
7		57	46	39	34	45	38	33	44	38	33		
8		53	42	35	30	41	35	30	40	34	30		
9		49	38	32	27	38	31	27	37	31	27		
10		46	35	29	25	35	29	25	34	28	25		

		Coefficients of Utilization											
		80%			70%			50%					
RCR	f p	70%	50%	30%	10%	50%	30%	10%	50%	30%	10%		
		pc											
	pw												
0		99	99	99	99	96	96	96	92	92	92		
1		91	87	84	81	85	82	80	82	79	77		
2		83	77	72	67	75	71	66	72	68	65		
3		76	68	62	57	67	61	56	64	59	55		
4		70	61	54	49	60	53	48	58	52	48		
5		65	55	48	42	54	47	42	52	46	42		
6		60	49	42	37	49	42	37	47	41	37		
7		56	45	38	33	44	38	33	43	37	33		
8		52	41	34	30	40	34	29	39	33	29		
9		49	38	31	27	37	31	27	36	30	26		
10		45	35	28	24	34	28	24	34	28	24		

Zonal Lumen Summary

Zone	Lumens	% Lamp	% Fixture
0° - 30°	2146.2	26.2	31.2
0° - 40°	3524.8	43.0	51.2
0° - 60°	5852.8	71.5	85.1
0° - 90°	6878.8	84.0	100.0
90° - 180°	0.0	0.0	0.0
0° - 180°	6878.8	84.0	100.0

Zonal Lumen Summary

Zone	Lumens	% Lamp	% Fixture
0° - 30°	1392.0	25.5	30.8
0° - 40°	2307.0	42.3	51.0
0° - 60°	3852.1	70.6	85.2
0° - 90°	4523.1	82.8	100.0
90° - 180°	0.0	0.0	0.0
0° - 180°	4523.1	82.8	100.0

Catalog Number:
Notes: