



safety products

# GFCI Right Angle Cord Sets

## GFCI Right Angle Cord Sets

Ideal for use by contractors and industrial maintenance personnel working with extension cords or portable tools. Provides compliance with National Electric Code (NEC 2008) Article 590.6 for "Temporary Installations." Applications include:

- ▶ High Pressure Sprayer Washers
- ▶ Drain Snakes
- ▶ Construction Sites
- ▶ Power Tools
- ▶ Pumps
- ▶ Industrial Appliances

Rainproof rated, UL listed for outdoor use. Standard lengths: 9', 6', 25', 50'.

Custom cable gauges, lengths and terminations available by special order. To prevent unmonitored equipment startup, manual reset is required after GFCI trip and power outage. Available with yellow or black case.

### FEATURES

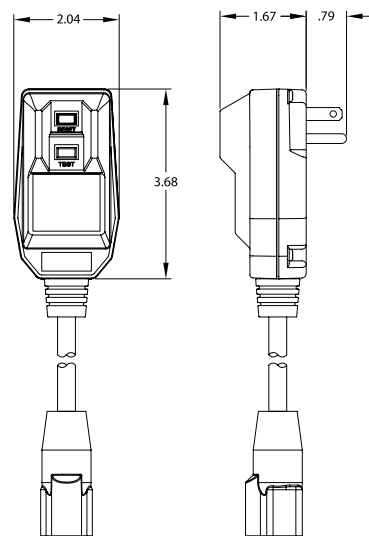
- |                           |                           |
|---------------------------|---------------------------|
| <b>14880 001-6</b> (9") ⓘ | <b>14880 012-6</b> (9") ⓘ |
| <b>14880 024-3</b> (6')   | <b>14880 013-3</b> (6')   |
| <b>14880 074-2</b> (25')  | <b>14880 018-3</b> (25')  |
| <b>14880 122-1</b> (50')  | <b>14880 029-1</b> (50')  |
| ▶ Volts/Amps: 120V/15A    | ▶ Volts/Amps: 120V/15A    |
| ▶ Cord Gauge: 14/3 AWG    | ▶ Cord Gauge: 12/3 AWG    |
| ▶ NEMA 5-15P & R          | ▶ NEMA 5-15P & R          |
| ▶ Trip Level: 4 - 6 mA    | ▶ Trip Level: 4 - 6 mA    |



14880 013-3

### TECHNICAL DATA

<b>Grounded Neutral</b>	4 Ohms typical
<b>Trip response time for ground fault and grounded neutral trip</b>	less than 25mS
<b>Voltage surge withstand</b>	3kv ringwave test and 4kv/2kA surge immunity test
<b>Radio frequency noise susceptibility</b>	operates within normal limits with 0.5 volts injected on power line 150kHz-230mHz
<b>Frequency</b>	50 / 60 Hz
<b>Endurance</b>	3,000 operations minimum
<b>Overload Current</b>	six times rated current
<b>Operating temperature range</b>	-35°C to 66°C
<b>Effect of 10 Amp turn DC Shock on ground fault trip</b>	5% maximum trip level variation
<b>Insulation voltage</b>	1500 VRMS - 1 Min.
<b>Power On indication</b>	mechanical indicator



**Coleman Cable Inc.**

800.323.9355 • www.colemancable.com