



RT-P3231

ZoneControl

SICK
Sensor Intelligence.



Illustration may differ



Ordering information

Type	Part no.
RT-P3231	1063131

Other models and accessories → www.sick.com/ZoneControl

Detailed technical data

Features

Sensor/detection principle	Photoelectric proximity sensor, Background suppression
Dimensions (W x H x D)	20.6 mm x 99.2 mm x 48.9 mm
Sensing range max.	60 mm ... 900 mm
Sensing range	60 mm ... 900 mm
Type of light	Infrared light
Light source	LED ¹⁾
Light spot size (distance)	Ø 20 mm (500 mm)
Angle of dispersion	7 °
Adjustment	Potentiometer, 9 turns

¹⁾ Average service life: 100,000 h at T_U = +25 °C.

Mechanics/electronics

Supply voltage	10 V DC ... 30 V DC ¹⁾
Ripple	< 5 V _{pp} ²⁾
Power consumption	< 20 mA ³⁾
Output type	PNP
Switching mode	Light/dark switching
Signal voltage PNP HIGH/LOW	Approx. V _S - 0.5 V / 0 V
Output current I_{max.}	≤ 100 mA

¹⁾ Limit values.

²⁾ May not exceed or fall below U_v tolerances.

³⁾ Without load and valve deenergized.

⁴⁾ A = V_S connections reverse-polarity protected.

⁵⁾ C = interference suppression.

⁶⁾ D = outputs overcurrent and short-circuit protected.

Response time	2 ms
Switching frequency	250 Hz
Connection type	Male connector M12, 4-pin
Circuit protection	A ⁴⁾ C ⁵⁾ D ⁶⁾
Protection class	III
Weight	175 g
Housing material	ABSPlastic
Enclosure rating	IP 67
Shock and vibration resistance	According to IEC 68
Ambient operating temperature	-40 °C ... +60 °C
Ambient storage temperature	-40 °C ... +75 °C
UL File No.	NRKH.E189383 & NRKH7.E189383

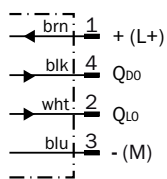
- 1) Limit values.
- 2) May not exceed or fall below U_v tolerances.
- 3) Without load and valve deenergized.
- 4) A = V_S connections reverse-polarity protected.
- 5) C = interference suppression.
- 6) D = outputs overcurrent and short-circuit protected.

Classifications

ECl@ss 5.0	27270904
ECl@ss 5.1.4	27270904
ECl@ss 6.0	27270904
ECl@ss 6.2	27270904
ECl@ss 7.0	27270904
ECl@ss 8.0	27270904
ECl@ss 8.1	27270904
ECl@ss 9.0	27270904
ETIM 5.0	EC002719
ETIM 6.0	EC002719
UNSPSC 16.0901	39121528

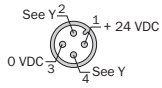
Connection diagram

Cd-260



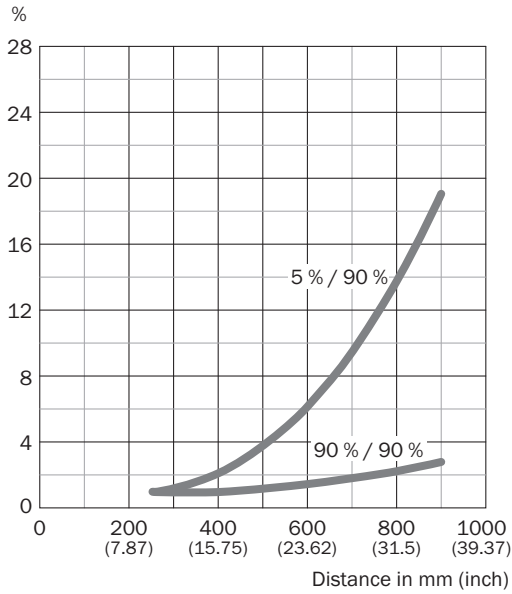
PIN assignment

M12

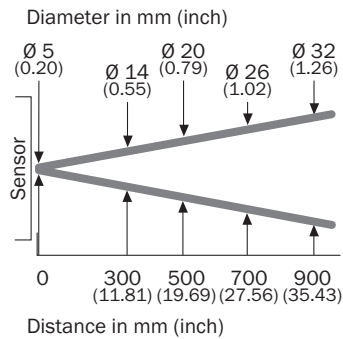


	Rx-(P/N)Y22x Rx-(P/N)Y32x Rx-(P/N)Y42x	P = PNP N = NPN	Rx-(P/N)Y23x Rx-(P/N)Y33x Rx-(P/N)Y43x	P = PNP N = NPN	Rx-BY22x Rx-BY32x Rx-BY42x	B = PNP / NPN
Y	PIN4	PIN2	PIN4	PIN2	PIN4	PIN2
1	Q ₀₁	not connected	not connected	Q ₀₁	QP ₀₁	QN ₀₁
2	Q ₀₂	not connected	not connected	Q ₀₂	QP ₀₂	QN ₀₂
3	Q ₀₃	Q ₀₃	Q ₀₃	Q ₀₃	-	-
4	Q ₀₄	Alarm	Alarm	Q ₀₄	-	-
5	Q ₀₅	Health	Health	Q ₀₅	-	-
6	Q ₀₆	Alarm	Alarm	Q ₀₆	-	-
7	Q ₀₇	Health	Health	Q ₀₇	-	-

Characteristic curve

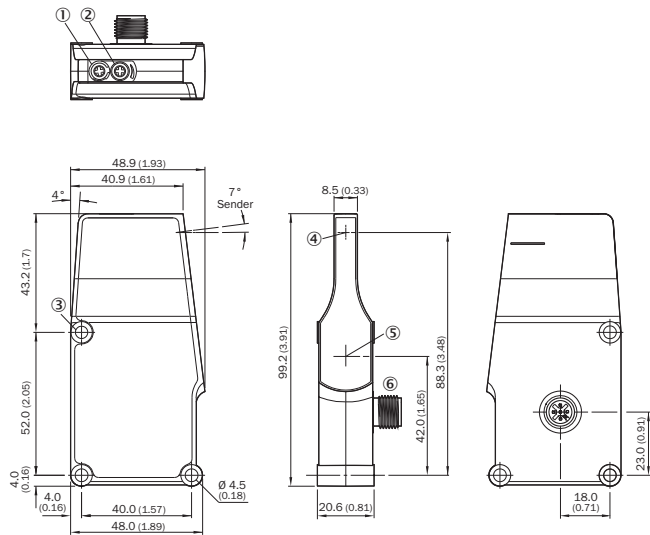


Light spot size



Dimensional drawing (Dimensions in mm (inch))

R / IR without valve



- ① LED
- ② Potentiometer
- ③ Fixing hole
- ④ Center of optical axis, sender
- ⑤ Center of optical axis, receiver
- ⑥ Male connector M12, 4-pin

SICK AT A GLANCE

SICK is one of the leading manufacturers of intelligent sensors and sensor solutions for industrial applications. A unique range of products and services creates the perfect basis for controlling processes securely and efficiently, protecting individuals from accidents and preventing damage to the environment.

We have extensive experience in a wide range of industries and understand their processes and requirements. With intelligent sensors, we can deliver exactly what our customers need. In application centers in Europe, Asia and North America, system solutions are tested and optimized in accordance with customer specifications. All this makes us a reliable supplier and development partner.

Comprehensive services complete our offering: SICK LifeTime Services provide support throughout the machine life cycle and ensure safety and productivity.

For us, that is “Sensor Intelligence.”

WORLDWIDE PRESENCE:

Contacts and other locations –www.sick.com