



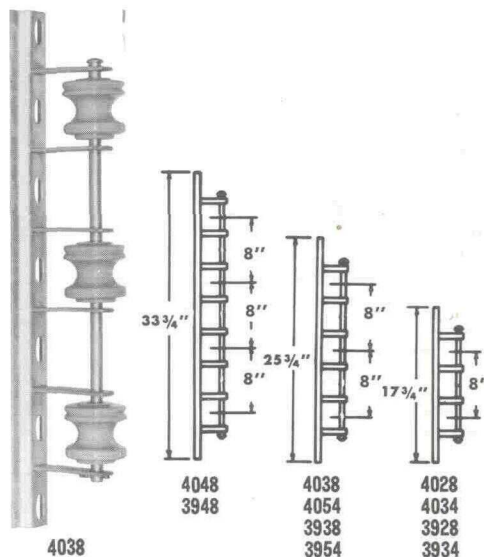
225 N. Patterson Street  
Carey, Ohio 43316  
419/396-7621 • Fax 419-396-7128

# SECONDARY RACKS

## Distribution Racks

Our heaviest rack for toughest job. Made with 12 gage back and 8 gage points. Points extend through the back and are welded for rigidity. Designed for #5101 Insulators which are packed separately when ordered with the racks.

Rack Only	Cat. No. With Ins.	Insulators	Spacing	Length	Std. Pkg.	Wt. Per 100
3928	4028	2	8"	17 $\frac{3}{4}$ "	5	565—805
3934	4034	3	4"	17 $\frac{3}{4}$ "	5	565—925
3938	4038	3	8"	25 $\frac{3}{4}$ "	5	820—1180
3948	4048	4	8"	33 $\frac{3}{4}$ "	5	1090—1570
3954	4054	5	4"	25 $\frac{3}{4}$ "	5	820—1420



# PORCELAIN INSULATORS

## Spool Insulators

For use on secondary racks, clevises, housebrackets and for special applications. Catalog #5101, #5107 and #5116 made of wet process porcelain.

Catalog No.	ANSI Class	Height	Width	Hole	Radius of Groove	Std. Pkg. Quan.	Wt. Per 100
5101	53-2	3"	3 $\frac{1}{16}$ "	1 $\frac{1}{16}$ "	1 $\frac{1}{16}$ "	50	120
5107	53-5	2 $\frac{1}{8}$ "	2 $\frac{1}{4}$ "	9 $\frac{1}{16}$ "	7 $\frac{1}{16}$ "	100	45
5116		4 $\frac{1}{8}$ "	4"	1 $\frac{1}{16}$ "	7 $\frac{1}{16}$ "	25	250

See page 6 for additional spool insulators along with mechanical and electrical characteristics.



5101



5107



5116

## Strain Insulators

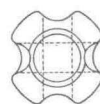
High quality insulators. Porcelain in compression for maximum strength. Catalog #500-D made of economical dry process porcelain. Others made of wet process porcelain. Catalog #708 multi-fin type.

Catalog No.	ANSI Class	Tensile Strength Pounds	Length	Diameter	Hole	Std. Pkg. Quan.	Wt. Per 100
500-D	54-1	10,000	2 $\frac{1}{4}$ "	1 $\frac{1}{16}$ "	3 $\frac{3}{8}$ "	100	23
502			3 $\frac{1}{2}$ "	2 $\frac{1}{2}$ "	5 $\frac{1}{8}$ "	50	128
504	54-2	12,000	4 $\frac{1}{4}$ "	2 $\frac{7}{8}$ "	7 $\frac{1}{8}$ "	50	178
506	54-3	20,000	5 $\frac{1}{2}$ "	3 $\frac{3}{8}$ "	1"	25	368
708	54-4	20,000	6 $\frac{3}{4}$ "	3 $\frac{1}{2}$ "	1"	20	380

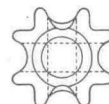
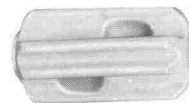
Suffix D—Dry Process Porcelain

\*Non Stock item.

Standard insulator glaze "Skyline" ANSI-70, Munsell 5 BG 7.0/0.4. Brown or white glaze available on special order, add suffix "B" to catalog number for brown glaze or "W" for white glaze.



502



708