

Atlas Lighting Products **Atlas LED Wall Light**

WLMFC43LED 43 Watt LED Wall Light



Project Information	
Job Name	
Fixture Type	43 Watt LED Full Cut-Off Wall Light
Catalog Number	WLMFC43LED
Approved by	

SPECIFICATIONS:

Construction:

Rugged Traditional aluminum die cast housing provides proven environmental protection for LED modules. Traditional fixture design provides a familiar look and standard installation requirements. Retaining this look allows the ability to upgrade fixtures gradually, while retaining the same overall fixture appearance throughout a facility.

Optics:

The International Dark Sky Association has approved this product as a full cutoff, fully shielded luminaire.

Positioning of the LEDs (along with Patent Pending thermal management system) results in the light being directed to desired locations eliminating glare and offensive light.

Atlas' proprietary forward throw optic design provides higher efficiency, greater footcandles and targets the light as needed.

Thermal Management:

Atlas' Patent Pending exclusive Thermal Management System™ features a unique internal design that allows for lower operating temperatures which results in a brighter, whiter light, more stable color and longer LED and driver life.

Listings:

Luminaire is certified to UL Standards for Wet Locations

AC Input:

120-277 V~ 400mA

Driver:

Constant current, Class 2, 120-277 VAC, 50-60 Hz
High Efficiency ~ 89%
Off-State Power: 0 Watts

LEDs:

LUXEON Rebel ES
Delivers 70% or greater of initial lumens at 60,000 hours
Epoxy Guard™ protective conformal coated boards

The LUXEON Rebel ES provides higher lumen output, greater energy efficiency and more reliable fixture performance. They are tested and binned at 700mA which is the actual operating current used in Atlas LED luminaires, giving a better representation of actual performance.

Glare Free:

Positioning of the LED modules within the housing result in light directed to desired locations and eliminates offensive light.

Warranty:

Five-year limited warranty

Testing:

Atlas LED luminaires have been tested by an independent laboratory in accordance with IESNA LM-79 & LM-80, and have received the Department of Energy "Lighting Facts" label.

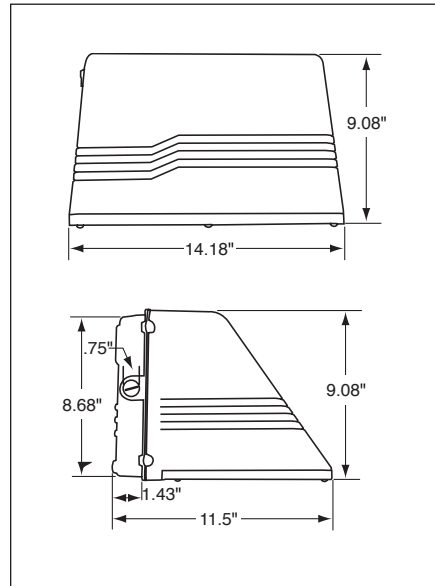
This product is on the Design Lights Consortium (DLC) Qualified Products List and is eligible for rebates from DLC Member Utilities.

Installation:

Fixture retains the same knock-out sizes and positions as previous models, reducing wiring costs.



DIMENSIONS:



Patent Pending

ATLAS LIGHTING PRODUCTS, INC.

PO BOX 2348 | BURLINGTON, NC 27216
800-849-8485 | FAX: 336-227-0110 | www.atlaslightingproducts.com

Made in the USA of US and imported parts. Meets Buy American requirements within the ARRA.

BUG RATING*

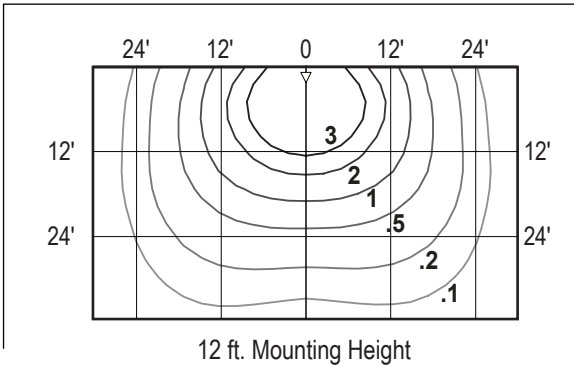
BACKLIGHT	UPLIGHT	GLARE
B1	U0	G0

*For more information on the IES BUG (Backlight-Uplight-Glare) Rating visit www.iesna.org/PDF/Erratas/TM-15-07BugRatingsAddendum.pdf

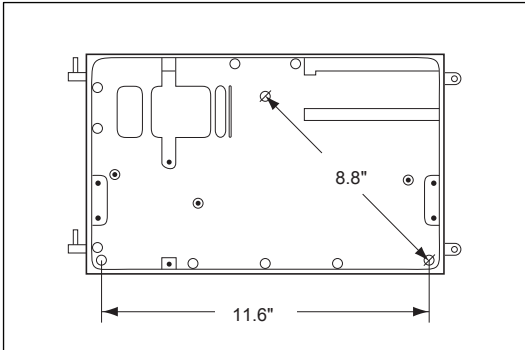
ENERGY SAVINGS

LED		HID			ANNUAL SAVINGS
WATTAGE	ANNUAL COST	SOURCE WATTAGE	TOTAL WATTAGE USED	ANNUAL COST	
43	\$19	100	129	\$57	\$38
43	\$19	150	185	\$80	\$61
43	\$19	175	210	\$92	\$73

PHOTOMETRIC



MOUNTING DETAIL



Atlas Lighting Products, Inc.

LED lighting facts[®]

A Program of the U.S. DOE

Light Output (Lumens)	3118
Watts	41.57
Lumens per Watt (Efficacy)	75

Color Accuracy	66
Color Rendering Index (CRI)	

Light Color	4263 (Bright White)
Correlated Color Temperature (CCT)	

Warm White	Bright White	Daylight	
2700K	3000K	4500K	6500K

All results are according to IESNA LM-79-2008: *Approved Method for the Electrical and Photometric Testing of Solid-State Lighting*. The U.S. Department of Energy (DOE) verifies product test data and results.

Visit www.lightingfacts.com for the *Label Reference Guide*.

Registration Number: PRB4-EX3TTC (8/22/2012)
 Model Number: WLMFC43LED
 Type: Outdoor wall pack