



PAR16 GU10 LED with AirFlux Technology

6PAR16/END/F25 3000 DIM 10/1

Philips PAR16 Dimmable LED Lamp with AirFlux Technology provides bright light in a sleek, lightweight design and is ideal for accenting spaces that require a GU10 base.

Product data

• General Characteristics

Cap-Base	GU10
Bulb	PAR16 [PAR 2inch]
Bulb Finish	White
Rated Avg. Life (Hours)	25000 hr

• Light Technical Characteristics

Color Code	WH
Color Designation	White
Beam Angle	25 D
Beam Description	25D [Medium beam]
Correlated Color Temperature	3000 K
Approx. MBCP	1050 cd
Color Temp. (Kelvin)	3000 K [CCT 3000K]
Rated Luminous Flux	300 Lm

• Electrical Characteristics

Wattage	6 W
Wattage Technical	6 W
Voltage	120 V
Line Frequency	60 Hz
Lamp Current mA	66 mA

• Product Data

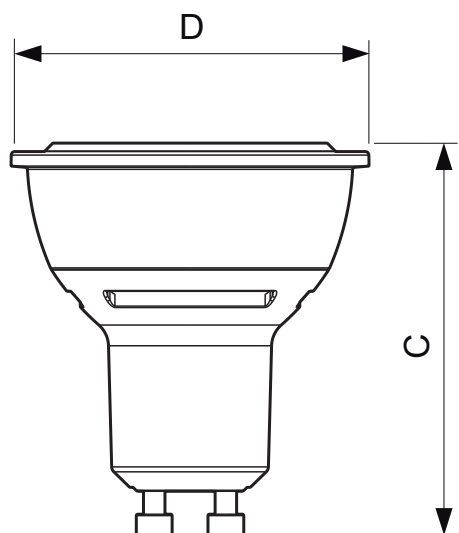
Product number	423509
Full product name	6PAR16/END/F25 3000 DIM 10/1
Short product name	6PAR16/END/F25 3000 DIM 10/1
Pieces per Sku	1
eop_pck_cfg	10
Skus/Case	10
Bar code on pack	46677423506
Bar code on case	50046677423501
Logistics code(s)	929000224204
eop_net_weight_pp	0.055 kg

Dimensional drawing



PHILIPS
sense and simplicity

Dimensional drawing



4-35W, 6W GU10

Product	C (Norm)	C1 (Max)	D (Norm)	D1 (Norm)
LED 6W GU10 WH 3000K 25D	-	-	-	-



© 2012 Koninklijke Philips Electronics N.V.
All rights reserved.

Specifications are subject to change without notice. Trademarks are the property of Koninklijke Philips Electronics N.V. or their respective owners.

www.philips.com/lighting

2012, August 4
data subject to change