

# Push Buttons and Operator Interface Specifier's Guide

## Type XDP Heavy Duty Monolever

File 9001



*Schneider Electric Brands*

### CONTENTS

Description .....	Page
General Descriptions .....	244
Specifications .....	244
Type XDP.....C1 .....	245
Type XDP.....C4 .....	245
Type XDP.....C5 .....	246
Mounting Dimensions .....	246
Declaration of Conformity .....	349



**SQUARE D**  
Schneider Electric

**General Description**

The XDP exterior, heavy duty monolever was designed for aircraft unloading equipment, where exposure to severe environments and mechanical abuse are inevitable. These switches have been engineered to withstand adverse conditions such as smog, dust, high humidity and extreme temperatures experienced in an airport environment. The XDP is currently being used for aircraft unloading service in Alaska. Other applications include snow plow controls and cherry pickers.

**4 Types of hand operations are offered:**



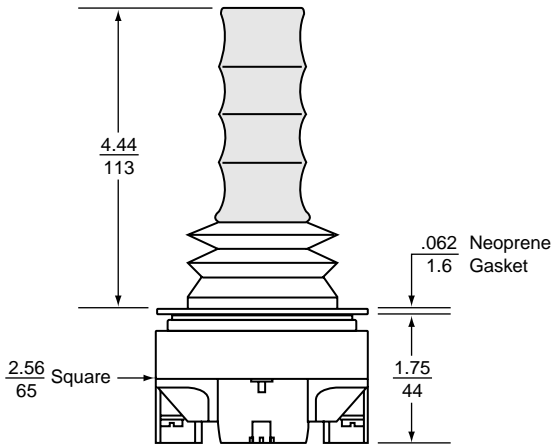
	<p>A 2-position monolever operator that operates 2 contacts*, one contact per direction. The operator is spring returned to the center position (momentary).</p>
	<p>A 2-position monolever operator that operates 4 contacts*. This is a "Z" cam operation; the lever is spring returned to the center position (momentary). The first contact actuates with 15° operator movement; the second contact actuates with an additional 90° movement of the operator while still in the 15° position. Both contacts are actuated with the second movement.</p>
	<p>A 4-position monolever operator that operates 4 contacts*, one contact per direction. The operator is spring returned to the center position (momentary).</p>
	<p>An 8-position monolever operator that operates 4 contacts*. Movement to the north, south, east, or west positions activates a single contact. Movement to the NE, NW, SE, or SW activates two contacts. The lever is spring returned to the center position (momentary).</p>

\* Contacts on monolevers with Telemecanique blocks are stackable with up to 3 contacts in any position.

**Specifications**

Electrical ratings	10 A resistive/inductive up to 15 Vdc ZB2 contacts NEMA / UL A600, Q600
Housing	Main body: diecast ZAMAC 3 Contact mounting base: weather-resistant nylon Handle boot: polyester elastomer (extremely temperature resistant)
Operating temperature	-40 °F to +140 °F -40 °C to +60 °C
Mechanical/electrical life	In excess of 1 million actuations per direction at rated load
Enclosure	NEMA / UL Type 4 (IP65) when installed in a suitable enclosure. Exposed components: • Unaffected by oil or grease • Ozone resistant • Does not age or crack with prolonged outdoor exposure
Mechanism	• Lever operated • Momentary action (spring return to center) • Panel mounted • Anti-rotational, mounts with 4 screws (not provided) • Mounting nuts remove from the rear, rounded bolt heads exposed on operator side • Withstands severe operator abuse

Monolever switches with 1 NO ZB2 contact block (ZB2BE101) in each position (up to 3 stackable in any position). NC contacts available, consult factory.



**XDP\*\*\*C1, C2, C3, C6, P1, P3**  
**Monolever with "ZB2" type contact**



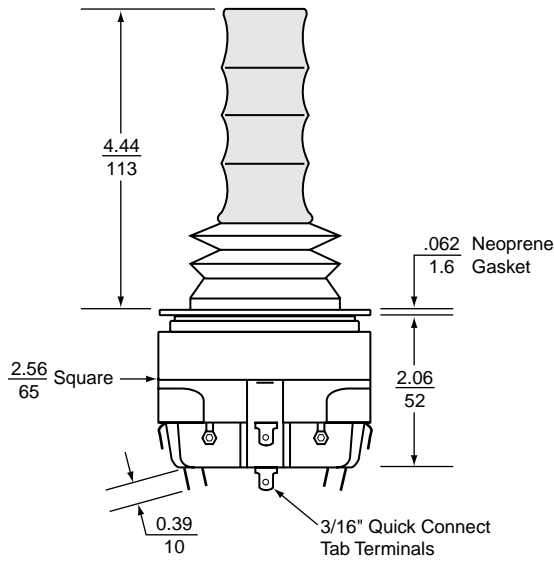
File E164353  
 CCN NKCR



File LR 44087  
 Class 3211 03

Description	Function	Catalog Number
2 positions 2 contacts		XDPA1010C1
2/4 positions 4 contacts		XDPB1111C1
4 positions 4 contacts		XDPC1411C1
8 positions 8 contacts		XDPD1111C1

**Monolever switches with micro-switch V3 contacts (NO/NC).**



Tolerance = ±0.06 in (1.5mm)  
**XDP\*\*\*C4**  
**Monolever with V3 switches**



File E164353  
 CCN NKCR2



File LR 44087  
 Class 3211 03

Description	Function	Catalog Number
2 positions 2 contacts		XDPA5050C4
2/4 positions 4 contacts		XDPB5555C4
4 positions 4 contacts		XDPC5555C4
8 positions 8 contacts		XDPD5555C4

Dual Dimensions  $\frac{\text{inches}}{\text{mm}}$

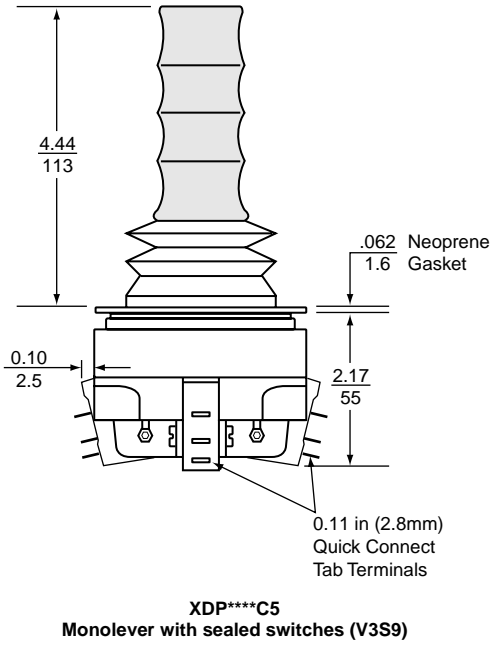


# Push Buttons and Operator Interface Specifiers Guide

## XDP Heavy Duty Monolever



### Monolever switches with Burgess sealed switch V3S9 contacts (NO/NC).



Description	Function	Catalog Number
2 positions 2 contacts		XDPA5050C5
2/4 positions 4 contacts		XDPB5555C5
4 positions 4 contacts		XDPC5555C5
8 positions 8 contacts		XDPD5555C5

### Panel Mounting Dimensions

