

XAPJ1201

die-cast empty control station - XAPJ - Ø 22 -
zinc alloy - 1 opening



Main

| | |
|-----------------------------|---|
| Range of product | Harmony XAP |
| Product or component type | Die-cast empty control station |
| Device short name | XAPJ |
| Product destination | For Ø 22 mm control and signalling units |
| Product front plate size | 80 x 80 mm |
| Usable depth | 49 mm |
| Number of cut-out | 1 cut-out |
| Colour of base of enclosure | Blue |
| Colour of cover | Yellow |
| Material | Zinc alloy |
| Cable entry | 1 hole without blanking plug for cable gland <= 14 mm 1 hole with blanking plug for cable gland <= 14 mm |
| Product mounting | Flush mounting |
| IP degree of protection | IP657 conforming to NF C 20-010 IP65 conforming to IEC 60529 |

Complementary

| | |
|-------------------------|----------|
| Number of vertical rows | 1 |
| Product weight | 0.455 kg |

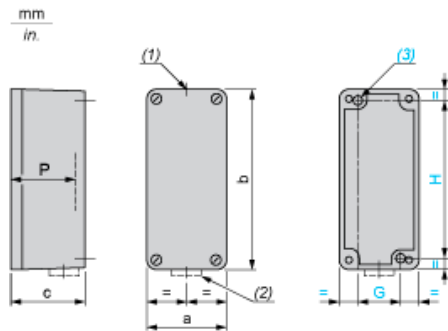
Environment

| | |
|--|--|
| Protective treatment | TC |
| Ambient air temperature for storage | -40...70 °C |
| Ambient air temperature for operation | -25...70 °C |
| Class of protection against electric shock | Conforming to NF C 20-030 Class I conforming to IEC 60536 |

The information provided in this documentation contains general descriptions and/or technical characteristics of the performance of the products contained herein. This documentation is not intended as a substitute for and is not to be used for determining suitability or reliability of these products for specific user applications. It is the duty of any such user or integrator to perform the appropriate and complete risk analysis, evaluation and testing of the products with respect to the relevant specific application or use thereof. Neither Schneider Electric Industries SAS nor any of its affiliates or subsidiaries shall be responsible or liable for misuse of the information contained herein.

Dimensions and Fixing

Refer to the product characteristics to get the number of cut-outs.



- (1) 1 hole, without blanking plug, for cable gland with 14 mm/0.55 in. maximum clamping capacity
 - (2) 1 hole, with blanking plug (protrusion 6 mm/0.23 in.), for cable gland with 14 mm/0.55 in. maximum clamping capacity
 - (3) 2 x Ø 5.6 mm/0.22 in. holes, depth 20 mm/0.78 in.
- P Usable depth

| a | | b | | c | | G | | H | | P | |
|----|------|----|------|------|------|----|------|----|------|----|------|
| mm | in. | mm | in. | mm | in. | mm | in. | mm | in. | mm | in. |
| 80 | 3.15 | 80 | 3.15 | 51.5 | 2.01 | 50 | 1.97 | 65 | 2.56 | 49 | 1.93 |