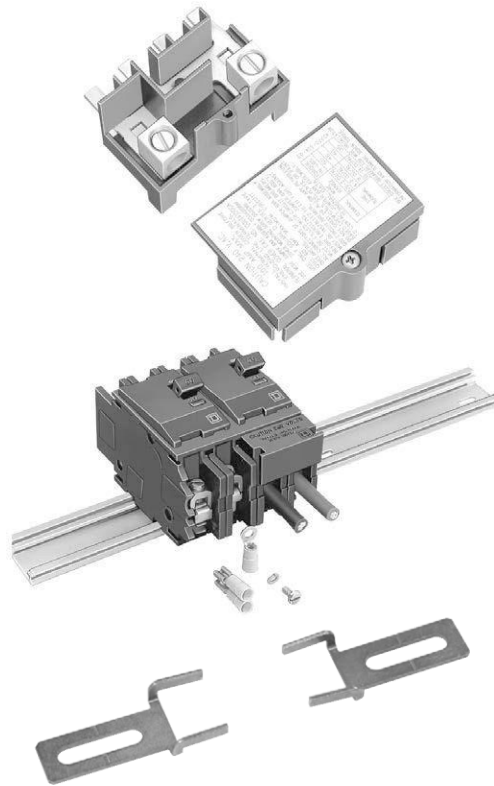


QOU Accessories

Table 7.27: Accessories for QOU Low Ampere Circuit Breakers (Except as Noted)



QOU14100JBAF

2P DIN-Mounted QOU Circuit Breaker

Mounting Foot
QOUMF1

Description	Order Qty.	Cat. No.
Factory-installed ring tongue terminal, 10–32 screw, for 1P, 2P, 3P QOU, 10–60 A	—	Suffix -5283
Hex drive 5/32 in. wire binding screw for QOU	—	Suffix -5280
For padlocking 1P low ampere QOU circuit breaker in OFF or ON position	—	QOU1PA
For padlocking 2P and 3P low ampere QOU circuit breaker in OFF or ON position	—	QOU1PL
For padlocking 1P low ampere QOU circuit breaker in OFF position only	—	QOU1PAFLA
For padlocking 2P and 3P low ampere QOU circuit breaker in OFF position only	—	QOU2PAFLA
For padlocking 2P and 3P high ampere QOU circuit breaker in OFF position only	—	Suffix -7100
Handle lock-out, ON or OFF position	—	HLO1
4P 100 A Jumper bar assy. w/front wiring with base, cover and screw	1	QOU14100JBAF
4P 100 A Jumper bar assy. w/right side wiring with base, cover and screw	1	QOU14100JBAR
4P 100 A Jumper bar assy. w/left side wiring with base, cover and screw	1	QOU14100JBAL
1Ø, 4P, 100 A Jumper bar base with front wiring	40	QOU14100BAFB
1Ø, 4P, 100 A Jumper bar base with left side wiring	40	QOU14100BALB
1Ø, 4P, 100 A Jumper bar base with right side wiring	40	QOU14100BARB
4P Jumper bar cover	40	QOU14100CAB
Mounting screw for jumper bar cover	40	QOU1CMSB
6P 150 A Jumper bar assy. w/front wiring with base, cover and screw	1	QOU16150JBAF
1Ø, 6P, 150 A Jumper bar base with front wiring	40	QOU16150BAFB
1Ø, 6P, 150 A Jumper bar base with left side wiring	40	QOU16150BALB
1Ø, 6P, 150 A Jumper bar base with right side wiring	40	QOU16150BARB
6P jumper bar cover	40	QOU16150CAB
Vertical rainproof cover 2P and 3P QO, QOU, FA and KA	1	BCV [32]
	10	BCVB [32]
Horizontal rainproof cover 2P QO, QOU, and 3P Q2, EH	1	BCH [32]
	10	BCHB [32]
1P Fingersafe™ cover for high ampere QOU circuit breaker	1	QOUHFSC1
	40	QOUHFSC1B
1P Fingersafe cover for low ampere QOU circuit breaker	1	QOULFSC1
	40	QOULFSC1B
Cover plate for one 2P QOU circuit breaker	1	QOUCP2
	40	QOUCP2B
Cover plate for one 3P QOU circuit breaker	1	QOUCP3
	40	QOUCP3B
Cover plate for two 2P QOU circuit breakers	1	QOUCP4
	40	QOUCP4B
Cover plate for three 2P QOU circuit breakers	1	QOUCP6
	40	QOUCP6B
Field-installable ring tongue terminal adaptor	1	QOURT
	80	QOURTB
Quick connector end connection wiring	1	QOUEC
	40	QOUECB
Quick connector forward or reverse wiring	1	QOUPR
	40	QOUPRB
1P QOU mounting foot	1	QOUMF1 [32]
	80	QOUMF1B [32]
2P QOU mounting foot	1	QOUMF2 [32]
	40	QOUMF2B [32]
3P QOU mounting foot	1	QOUMF3 [32]
	24	QOUMF3B [32]
Tapped mounting foot for QOU, 1P and 2P 10–70 A, 3P 10–60 A		
Packaged with circuit breaker		Suffix -3100
Individually packaged	1	QOUMFS1
Bulk packed	80	QOUMFS1B
Mechanical interlock attachment: Used to interlock two circuit breakers mounted side-by-side so that only one circuit breaker can be ON at a time. A 1P or 2P circuit breaker can be mounted on the left and interlocked with a 2P or 3P circuit breaker on the right.	1	QOU2DTILA [33]

QOUQ Low Ampere Circuit

Breakers

QOUQ low ampere circuit breakers with four-point quick-connect terminals are provided with permanent factory-installed terminals which are affixed to the Load or OFF end of the circuit breaker. This special terminal will accommodate up to four 1/4-inch insulated female quick connect wire terminations. Total ampacity of these connections must not exceed the rating of the circuit breaker.

Table 7.28: QOUQ Four-Point Quick-Connect Terminals

	Poles	Order Qty.	Cat. No.
	1	1	Change QOU to QOUQ
	2	1	
Four-Point Quick-Connect Terminals	3	1	

The QOU uses the same electrical accessories as the QO. See the QO information for available electrical accessories.

[32] For use on low and high ampere
QOU. [33] 10–70 A 1P and 2P, 10–60 A 3P.

7-20

© 2016 Schneider Electric
All Rights Reserved
9/24/2016