

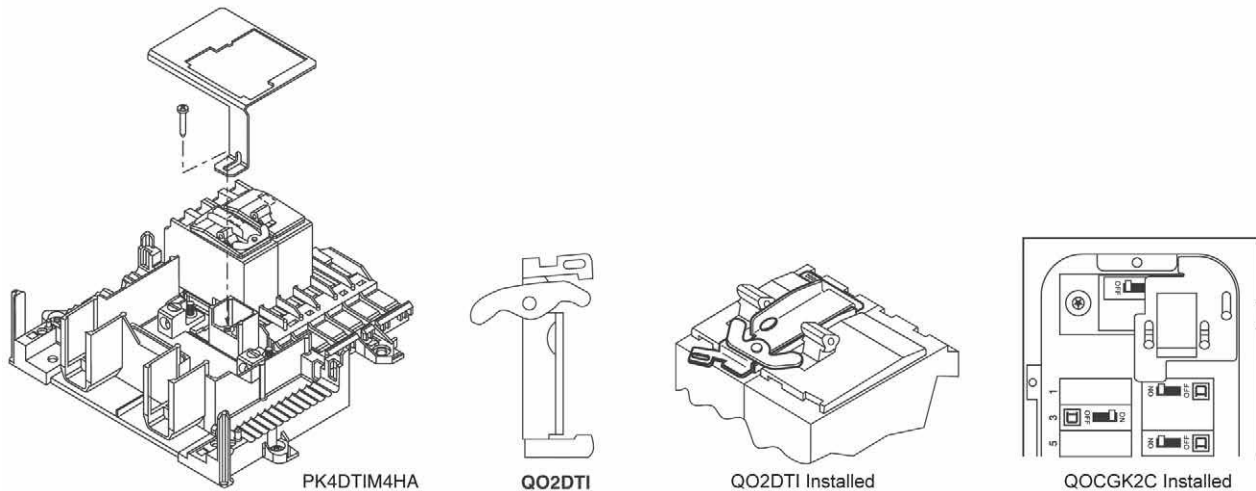
1Ø3W—120/240 Vac—UL Listed Backup Power Solutions

Table 1.12: Backup Power Solutions (Accept Only QO Plug-On Circuit Breakers.)

	Mains Rating (A)	Spac- es	Max. Single Pole Circuits [53]	Max. Tandem Circuit Breakers	Load Center Box, Interior and Cover	Equipment Grounding Bar Kit (Order Separately)	Main Wire Size AWG/kcmil		Box No. [54]
							Al	Cu	
INDOOR RAINPROOF	Generator Panels—Manual Transfer for Sub-Feed Applications NEMA 1 (Indoor)								
	Factory-Installed Main Circuit Breakers with Mechanical Interlock—10 kA Short Circuit Current Rating								
	30	4	8	4	QO48M30DSGP	PK7GTA	14–8	14–8	4
	60	4	8	4	QO48M60DSGP		8–2	8–2	4
Generator Panels—Manual Transfer with Generator Power Inlet Plug for Sub-Feed Applications NEMA 3R (Outdoor)									
Factory-Installed Main Circuit Breakers with Mechanical Interlock—10 kA Short Circuit Current Rating									
INDOOR RAINPROOF	100	4	8	4	QO1DM10020TRBR	Factory-Installed	—	8–2	17R
		4	8	4	QO1DM10030TRBR		—		17R
		4	8	4	QO1DM10050TRBR		—		17R
Generator Panel—Automatic Transfer Switch (Contact your local Square D Field Sales office for more information.) [55]									
Factory- or Field-Installed Main Circuit Breaker—22 kA Short Circuit Current Rating									
INDOOR RAINPROOF	150	38	42	42	QO13842MX150	PK23GTA	4–250	4–250	12
	200	38	42	42	QO13842MX200	PK23GTA	4–250	4–250	12
	225	38	42	42	QO13842MX225	PK23GTA	4–250	4–250	12
		38	42	42	QO13842UX225 [56]		4–250	4–250	12
					QOC38MXUF (Cover)	—			
	3R	150	14	28	28	QO11428MX150FTRB [57] [58]	PK23GTA	4–250	4–250
200		14	28	28	QO11428MX200FTRB [57] [58]	PK23GTA	4–250	4–250	7R
		14	28	28	QO11428UX200FTRB [56] [57] [58]	PK23GTA	4–250	4–250	7R

Table 1.13: QO Load Center Manual Power Transfer Accessories

	Description	Cat. No.	Schedule
Manual Transfer Equipment Kit	For interlocking the handles of two 2P or one 2P and one 1P QO and Q1 circuit breakers mounted side-by-side so that only one circuit breaker can be "ON" at a time.	QO2DTI	DE2E
	QO2DTI mechanical interlock attachment with retaining kits for securing two adjacent back-fed circuit breakers in dual power supply applications. Can be used with (2) 2P or (1) 2P and (1) 1P QO circuit breakers in QO816L100 load centers.	QO2DTIM	DE2E
	Secures two 2P circuit breakers to right side of interior when used as back-fed mains, a QO2DTI Kit included for back-up power supply applications. For 1Ø 100–125 ampere convertible main load centers. Series S01 and S02.	PK4DTIM4LA	DE3A
	Secures two 2P circuit breakers to right side of interior when used as back-fed mains, a QO2DTI Kit included for back-up power supply applications. For 1Ø 150–225 ampere convertible main load centers. Series S01 and S02.	PK4DTIM4HA	DE3A
	Secures two 2P circuit breakers to left side of interior when used as back-fed mains, a QO2DTI Kit included for back-up power supply applications. For 1Ø 100–125 ampere convertible main load centers. Series S01 and S02.	PK4DTIM4LAL	DE3A
Generator Circuit Breaker Interlock Kit	For use on "G" and "S" Series NEMA 1 and "G", "S1" and "S2" Series NEMA 3R load centers. Interlocks a QOM1 2P main circuit breaker of a load center (100–125 A) with a QO 2P (15–125 A) branch circuit breaker. Includes a retaining kit.	QOCRBGK1C	DE3A
	For use on "G" and "S" Series NEMA 1 and "G" and "S1" Series NEMA 3R load centers. Interlocks a QOM2 2P main circuit breaker of a load center (150–225 A) with a QO 2P (15–125 A) branch circuit breaker. Includes a retaining kit.	QOCGK2C	DE3A
	For use on "S2" Series NEMA 3R load centers. Interlocks a QOM2 2P main circuit breaker of a load center (150–225 A) with a QO 2P (15–125 A) branch circuit breaker. Includes a retaining kit.	QORBKGK2C	DE3A



[53] Maximum single pole branch circuits utilizing QO and/or QOT circuit breakers.

[54] See Indoor Knockout Information and Enclosure Dimensions, page 1-23 or Rainproof, Dimensions, Knockouts and Bolt-on Hubs, page 1-24

[55] One main circuit breaker is included with panel. NEMA 1 indoor device requires cover ordered separately. Alternate source main circuit breaker (QO 125 A max.) ordered separately. Automatic Transfer Switch and Generator for secondary power source are ordered through a Kohler authorized dealer or contractor.

[56] Universal mains – No factory-installed main circuit breaker or main lugs. QOM2 frame size, field-install 22 k AIR. Main circuit breaker or main lugs (see Table 1.10 3Ø, Main Circuit Breakers, page 1-7 and Table 1.11 3Ø, Main Lugs Kits, page 1-7.

[57] Supplied with feed-thru lugs.

[58] Device is rated NEMA 3R and can be used for indoor or outdoor applications.