

# QO™ and QOU Miniature Circuit Breakers

## QO™ Circuit Breaker Accessories

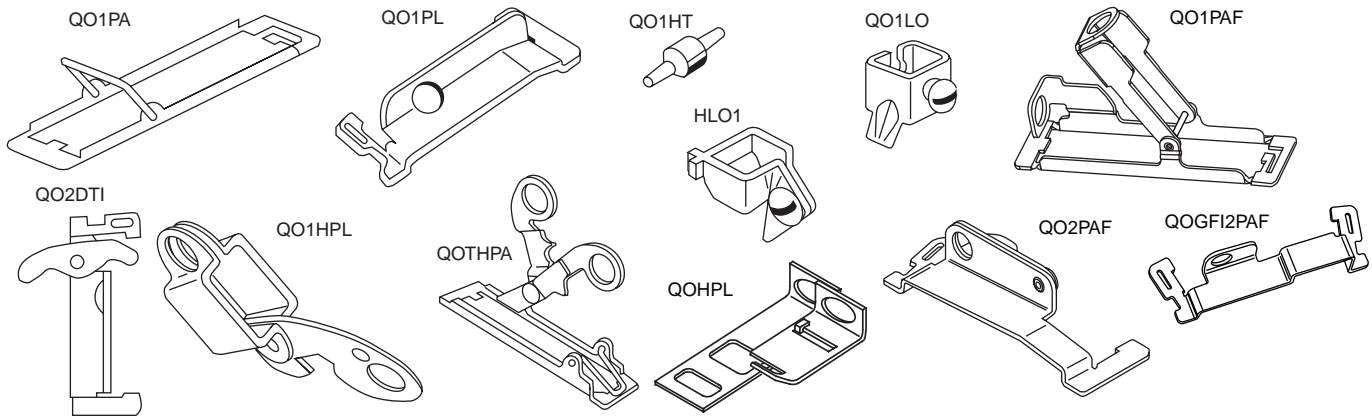
Class 1130 / Refer to Catalog 0730CT9801

DE3 CIRCUIT BREAKERS

### Accessories for Use with QO™ and QOB Miniature Circuit Breakers

Handle Attachments	Description	Cat. No.	\$ Price
Handle Tie:	Converts any two adjacent 120/240 Vac 1P QO circuit breakers to independent trip 2P Converts any two adjacent 120/240 Vac 1P side-by-side QOT circuit breakers to independent trip 2P Handle tie and lock-off for three 1P QO, QOB circuit breakers	QO1HT QO1THT QO3HT	
Handle Clamp:	Clamp for holding QO 1P handle in ON or OFF position Clamp for holding QO or Q1 1P, 2P or 3P circuit breaker handles in ON or OFF position	QO1LO HLO1	
Handle Padlock Attachment: for Padlocking in ON or OFF position	For padlocking 1P QO circuit breaker in ON or OFF position Loose attachment Fixed attachment For padlocking 1P side-by-side QOT circuit breaker in ON or OFF position For padlocking 2P and 3P QO-GFI, QO-EPD, and QO-EPE in either ON or OFF position, fixed attachment. For 2P and 3P QO and Q1 standard circuit breakers which require padlocking in either ON or OFF position. Loose attachment Fixed attachment	QOHPPL QO1PA QO1THTPA GFI2PA  QO1HPL QO1PL	
Handle Padlock Attachment: for Padlocking in OFF position	For padlocking 1P QO circuit breaker in OFF position only, fixed attachment. For padlocking 2P and 3P QO circuit breakers in OFF position only, fixed attachment. For padlocking 1P QO-GFI, QO-AFI, QO-CAFI, and QO-EPD circuit breakers in OFF position only, fixed attachment. For padlocking 2P and 3P QO-GFI, QO-EPD, and QO-EPE circuit breakers in OFF position only, fixed attachment.	QO1PAF QO2PAF QOGFI1PAF QOGFI2PAF	
Sub-Feed Lugs	60 A 2P plug-on – 2 spaces required (6–2 Al/Cu) 125 A 2P plug-on – 2 spaces required (12–2/0 Al/Cu) 225 A 2P plug-on – 4 spaces required (4–3/0 Al/Cu) 125 A 3P plug-on – 3 spaces required (12–2/0 Al/Cu)	QO60SL QO2125SL QO2225SL▲ QO3125SL	
Mechanical Interlock Attachment	For interlocking the handles of two 2P or one 2P and one 1P QO and Q1 circuit breakers mounted side-by-side so that only one circuit breaker can be ON at a time (Not QOU)	QO2DTI	
With Retaining Kit:	QO2DTI mechanical interlock attachment with retaining kits for securing two adjacent back-fed circuit breakers in dual power supply applications. Can be used with (2) 2Ps or (1) 1P QO circuit breakers in QO816L100 load centers.	QO2DTIM	

▲ Not suitable for use in 3Ø panels. Use only in 1Ø panel rated 150 A or greater.



### Factory-Installed Accessories for Use with QO and QOB Miniature Circuit Breakers

Factory-installed electrical accessories take up an additional pole space on QO™, QO-GFI, QO-EPD, QO-SWN and QOU circuit breakers. All AC electrical accessories shown below are rated for 50/60 Hz. Accessories are not available for QOB-VH (2P 150 A and 3P 110–150 A) circuit breakers or QO, QOU molded case switches. QO circuit breakers will accept only one accessory per circuit breaker. Undervoltage trip is not available on miniature circuit breakers. Factory-installed accessories are not available for QO-AFI or QO-CAFI Arc Fault Circuit Breakers or on QO2150, QO2175, or QO2200 circuit breakers.

### Factory-Installed Accessories

Accessory	Description	Rated Voltage	Coil Burden	Cat. No. Suffix	\$ Price Adder	Accessory	Description	Contact Comb.	Max. Voltage	Max. Load	Cat. No. Suffix	\$ Price Adder
Shunt Trip	Trips the circuit breaker from a remote location by means of a trip coil energized from a separate circuit. A 120 Vac shunt trip will operate at 55% or more of rated voltage. All other shunt trips will operate at 75% or more of rated voltage.  <b>Application</b> • For use with momentary or maintained push button. • Not available on QO-GFI, QO-EPD, QO-AFI, QOCAFI. • Shunt trip terminals accept (2) 14–12 AWG Cu.	AC/DC	12 24	60 VA 168 VA	-1042	Auxiliary Switches	Monitors circuit breaker contact status and provides a remote signal indicating the circuit breaker contacts are OPEN or CLOSED.  <b>Application</b> • Auxiliary switch terminals accept (2) 14–12 AWG Cu leads.	1A 1B	AC 120 AC 120	5 A 5 A	-1200 -1201	
		AC	120 208 240	72 VA 228 VA 288 VA	-1021							
		Alarm Switches	Used with control circuits and is actuated only when the circuit breaker has tripped. Standard construction includes a normally-open contact.  <b>Application</b> • Alarm switch terminals accept (2) 14–12 AWG Cu leads.						1A	AC 120	5 A	-2100