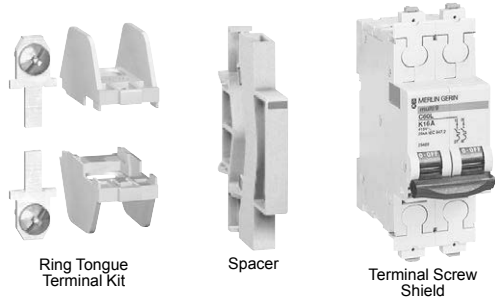


**Multi 9 C60 Accessories**

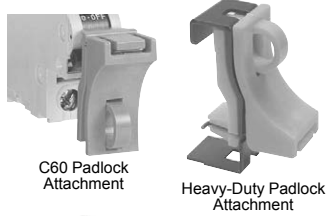
Electrical Accessories for C60 Circuit Breakers and Supplementary Protectors



Ring Tongue Terminal Kit

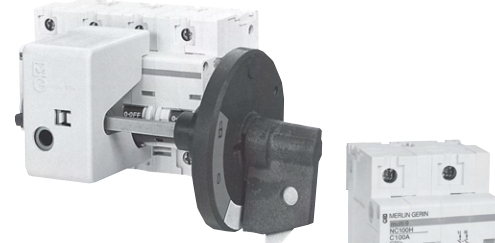
Spacer

Terminal Screw Shield



C60 Padlock Attachment

Heavy-Duty Padlock Attachment



Rotary Handle

Label Holders for 2, 3, or 4P C60

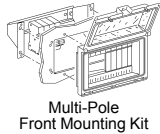


Front Mounting Kit for C60  
1P, 2P, 3P, 4P  
(1 per circuit breaker)



MGN26380 Locking Device Left Side Mount

MGN26380 Locking Device Right Side Mount

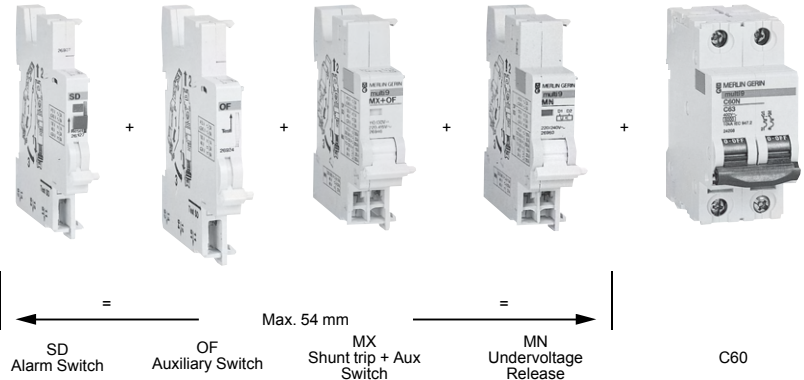


Multi-Pole Front Mounting Kit



Comb Bus Bar

Possible Combinations  
Mounted to the left of the circuit breaker with a maximum width of 54 mm.



**Table 7.45: Multi 9 C60 Electrical Accessories**

Descriptions	Control Voltage		Width in 9 mm Modules	C60 UL/IEC Cat. No.
	Vac	Vdc		
OF Auxiliary Switch (1a1b)	12–277	12–125	1	MG26925
SD Alarm Switch (1a1b)	12–277	12–125	1	MG26928
MX Shunt Trip + OF Auxiliary Switch (1a1b)	24	24	2	27118
	48	48	2	27110
	110–240–277	125	2	27109
MN Undervoltage Release	24	24	2	27108
	48	48	2	27106
	120	—	2	27107
	240	—	2	27105
Multi-9 GFP UL 1053 Listed Ground Fault Protectors	120 to 480Y/277 Vac; 30, 100, and 300 mA; 2P and 4Ps. See page 7-26, Handout 0860HO0602 or Catalog 0860CT0201			

**Table 7.46: Multi 9 C60 Mechanical Accessories**

Descriptions	C60 Cat. No.
Ring tongue terminal kit for UL1077 C60	17400
Spacer for DIN rail, Not UL Recognized	9 mm wide MG27062
Padlock Attachment (1 per for 1P, 2P, 3P or 4P)	2 per pack MG26970
Heavy-duty Padlock Attachment for C60, Locks OFF only	2 per pack M9PAF
Padlocking Device Left Side Mount, Locks OFF only [4]	1 per pack MGN26380
Padlocking Device Right Side Mount, Locks OFF only [5]	1 per pack MGN26381
Front Mounting Kit	1P MG26983
	2P MG26984
	3P MG26985
	4P MG26989
Label holders for 2, 3 or 4P C60 (Not UL Recognized)	Bag of 10 MG27150
Terminal Screw Shield (Not UL Recognized)	Bag of two 4P shields MG26981
Terminal cover (Not UL Recognized)	1P MG26975
	2P MG26976
	3P MG26975 + MG26976
	4P MG26978
Comb Bus Bar Kit for UL1077 C60, 12 poles, Fixed Length	1Ø MG10285
	2Ø MG10286
	3Ø MG10287
Tooth Caps for UL Comb Bus Bar, Bag of 20	60488
Rotary Handle for C60 (Non UL Recognized)	
Operating Subassembly	MG27046
Door Interlock Handle	2P/3P/4P MG27047
Fixed Handle (Front or Lateral)	MG27048
Multi-pole Front Mounting Kit	
Rail Support (20 of 9 mm modules)	14211
Hinged Transparent Cover	14210

[4] Left-side mounted padlocking device cannot be used in conjunction with accessories SD, OF, MX or MN. Use right-side mounted padlocking device when accessories are required.  
[5] Right-side mounted padlocking device cannot be used in conjunction with VIGI module. Use left-side mounted padlocking device when VIGI Module is required.