

Mechanical Lugs

Table 7.110: Mechanical Lug Kits for B-Frame Circuit Breakers [16]

Description	Circuit Breaker Application			Ampere Rating	Number of Wires Per Lug and Wire Range	Factory-Installed Cat. Suffix	Field-Installable Cat. No.	Qty Per Kit
	Standard	Ampere Rating	Optional					
Al Lugs for Use with Al or Cu Wire			BD BG BJ	15-125 A	(1) 14-2/0 AWG Al or Cu	LH	LV426988	2
			BD BG BJ	15-125 A	(1) 14-2/0 AWG Al or Cu	LH	LV426989	3
Cu Lugs for Use with Cu Wire Only			BD BG BJ	15-125 A	(1) 14-2/0 AWG Cu	LC	LV426986	2
			BD BG BJ	15-125 A	(1) 14-2/0 AWG Cu	LC	LV426987	3
EverLink Lug	BD BG BJ (1P)	15 - 125 A			(1) 14-2/0 AWG Cu	---	LV426972	1
	BD BG BJ (2P)	15 - 125 A			(1) 14-2/0 AWG Cu	---	---	---
	BD BG BJ (3P)	15 - 125 A			(1) 14-2/0 AWG Cu	---	---	---
	BD BG BJ (4P)	15 - 125 A			(1) 14-2/0 AWG Cu	---	---	---
EverLink Lug with Control Wire Terminal		15 - 125 A	BD BG BJ (2P)		(1) 14-2/0 AWG Cu	LU, LV, or LW [17]	LV426973	1
		15 - 125 A	BD BG BJ (3P)		(1) 14-2/0 AWG Cu	LU, LV, or LW [17]	LV426974	1
		15 - 125 A	BD BG BJ (4P)		(1) 14-2/0 AWG Cu	LU, LV, or LW [17]	LV426975	1

Table 7.111: Mechanical Lug Kits for H- and J-Frame Circuit Breakers [16]

Description	Circuit Breaker Application			Ampere Rating	Number of Wires Per Lug and Wire Range	Kit Cat. No.	Qty Per Kit
	Standard	Ampere Rating	Optional				
Al Lugs for Use with Al or Cu Wire	HD, HG, HJ, HL	15-150 A			(1) 14-3/0 AWG Al or Cu	AL150HD	3
	JD, JG, JJ, JL	150-175 A			(1) 4-4/0 AWG Al or Cu	AL175JD	3
	JD, JG, JJ, JL	200-250 A	JD, JG, JJ, JL	150-175 A	(1) 3/0-350 kcmil Al or Cu	AL250JD	3
Cu Lugs for Use with Cu Wire Only			HD, HG, HJ, HL	15-150 A	(1) 14-2/0 AWG Cu	CU150HD	3
			JD, JG, JJ, JL	150-250 A	(1) 1/0-300 kcmil Cu	CU250JD	3
	Control Wire Terminal for H-frame lug kit					S37423	2
	Control Wire Terminal for J-frame lug kit					S37424	2

Table 7.112: Mechanical Lug Kits for L-Frame Circuit Breakers [18]

Description	Circuit Breaker Application				Number of Wires Per Lug and Wire Range	Kit Cat. No.	Qty Per Kit
	Ampere Rating	Poles	Unit Mount	I-Line			
Al Lugs for Use with Al or Cu Wire	250	3	X	X	(1) 2 AWG-500 kcmil Al	AL400L61K3	3
		4	X	---	(1) 2 AWG-600 kcmil Cu	AL400L61K4	4
	400/600	3	X	---	(2) 2/0 AWG-500 kcmil Al or Cu	AL600L552K3	3
		4	X	---	(2) 2/0 AWG-500 kcmil Al or Cu	AL600L552K4	4
Cu Lugs for Use with Cu Wire Only	400/600	3	X	X	(2) 3/0 AWG-500 kcmil Al or Cu	AL600LF52K3	3
		250	3	X	X	(1) 2 AWG-600 kcmil Cu	CU400L61K3
	400/600	4	X	---	(1) 2 AWG-600 kcmil Cu	CU400L61K4	4
		3	X	---	(2) 2/0 AWG-500 kcmil Cu	CU600L552K3	3
400/600	4	X	---	(2) 2/0 AWG-500 kcmil Cu	CU600L552K4	4	
	3	X	X	(2) 3/0 AWG-500 kcmil Cu	CU600LF52K3	3	

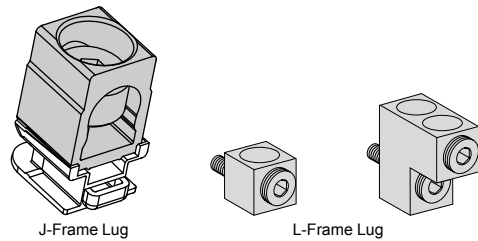
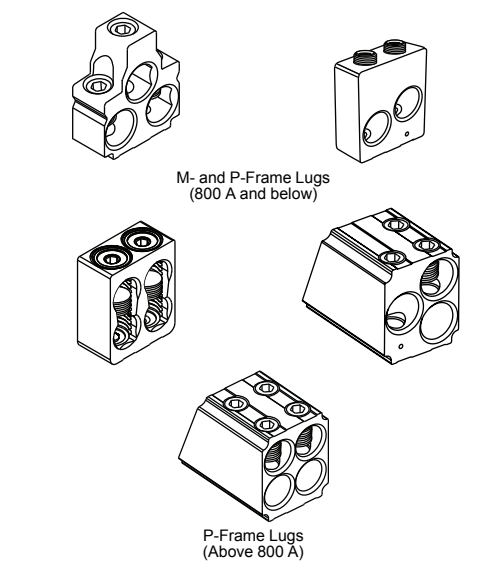


Table 7.113: Mechanical Lug Kits for M-, P- and R-Frame Circuit Breakers [19]

Description	Circuit Breaker Application				Wires per Lug and Wire Range	Cat. No.	Lugs Per Kit
	Standard	Rating	Optional	Rating			
Al Lugs for AL or Cu Wire	M-Frame, P-Frame	800 A	---	800 A	(3) 3/0 AWG-500 kcmil	AL800M23K	3
		1200 A	PG, PJ, PL, MG, MJ	800 A	(4) 3/0 AWG-500 kcmil	AL800M23K4	4
		---	PG, PJ, PL, MG, MJ	800 A	(2) 3/0 AWG-600 kcmil	AL1200P24K [20]	1
		---	PG, PJ, PL, MG, MJ	800 A	(2) 3/0 AWG-600 kcmil	AL800P6K [20]	3
		---	PG, PJ, PL, MG, MJ	800 A	(2) 3/0 AWG-750 kcmil 750 kcmil: compact AL only	AL800P6K4 [20]	4
	P-Frame	1200 A	PG, PJ, PL	800 A	(2) 3/0 AWG-750 kcmil 750 kcmil: compact AL only	AL800P7K [20]	3
		---	PG, PJ, PL	800 A	(2) 3/0 AWG-750 kcmil 750 kcmil: compact AL only	AL800P7K4 [20]	4
		1200 A	PG, PJ, PL	800 A	(4) 3/0 AWG-500 kcmil	AL1200P25K [21]	3
		---	PG, PJ, PL	800-1200 A	(3) 350-600 kcmil	AL1200P25K4 [21]	4
		---	PG, PJ, PL	800-1200 A	(3) 350-600 kcmil	AL1200P6KU [21]	3
Cu Lugs for Cu Wire Only [23]	M-Frame, P-Frame	1200 A	PG, PJ, PL	800 A	(4) 3/0 AWG-500 kcmil	AL1200P6KU4 [21]	4
		---	PG, PJ, PL	1200 A	(3) 3/0 AWG-750 kcmil 750 kcmil: compact AL only	AL1200P7KU [21]	3
		1200 A	PG, PJ, PL	1200 A	(3) 3/0 AWG-750 kcmil 750 kcmil: compact AL only	AL1200P7KU4 [21]	4
		1200 A	I-Line	---	(4) 3/0 AWG-600 kcmil	AL1200R53K	1
		2500 A	Unit Mount	---	(1) 3/0 AWG-750 kcmil	AL2500RK [22]	2
	P-Frame	---	PJ	100-150 A	(1) 1-1/0 AWG	CU250P1K [24]	3
		800 A	MG, MJ, PG, PJ, PL	---	(3) 3/0 AWG-500 kcmil	CU800M23K	3
		1200 A	MG, MJ, PG, PJ, PL	800-1200 A	(3) 3/0 AWG-500 kcmil	CU800M23K4	4
		1200 A	PG, PJ, PL	800-1200 A	(4) 3/0 AWG-500 kcmil	CU1200P24K [20]	1
		1200 A	PG, PJ, PL	800-1200 A	(4) 3/0 AWG-500 kcmil	CU1200P25K [21]	3
R-Frame	1200 A	I-Line	---	(4) 3/0 AWG-500 kcmil	CU1200P25K4	4	
					CU1200R53K	1	



[16] For terminal nuts/bus bar connections see page 7-61.

[17] LU = ON end only, LV = OFF end only, LW = BOTH ends

[18] Lug kits for Legacy L-frame circuit breakers can be found in Supplemental Digest Section 11 (i.e. LA, LH circuit breakers).

[19] For lug with a tapped hole for control wire, add a "T" before the "K" in the catalog number (for example, AL800P6TK).

[20] Does not fit onto ON end of unit-mount P-frame circuit breakers.

[21] For unit-mount circuit breaker only.

[22] All unit-mount R-frame circuit breakers require terminal pads for mounting lugs of any type. See page 7-61.

[23] Not available with tapped hole for control wire.

[24] This lug can only be used on low amp PJ frame breakers where the Instantaneous setting must not be turned OFF. The cables must be laced with rope per lug instructions.