

Definite Purpose Control Reversing/Hoist Contactors, Class 8965 Type DPR

Figure 10: Type DPR 3-Pole Reversing/Hoist Contactors, Approximate Dimensions

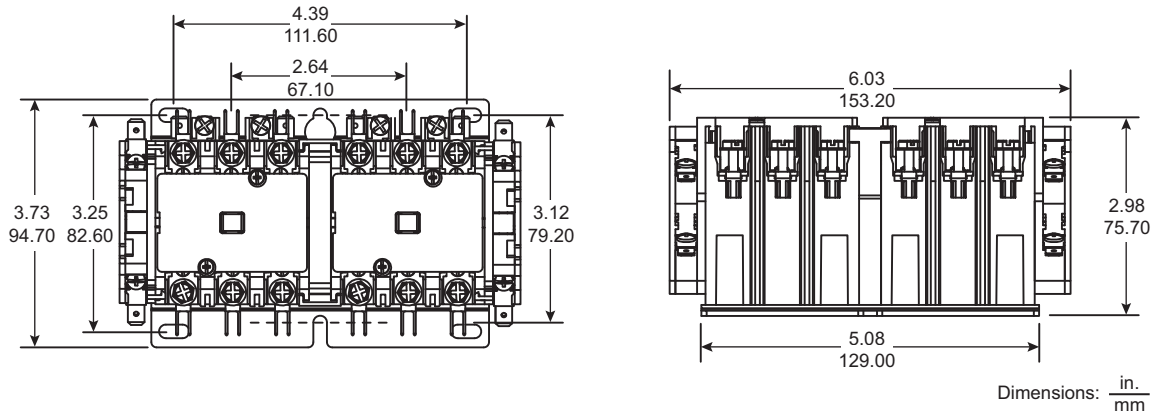


Figure 11: Type DPR 4-Pole Reversing/Hoist Contactors, Approximate Dimensions

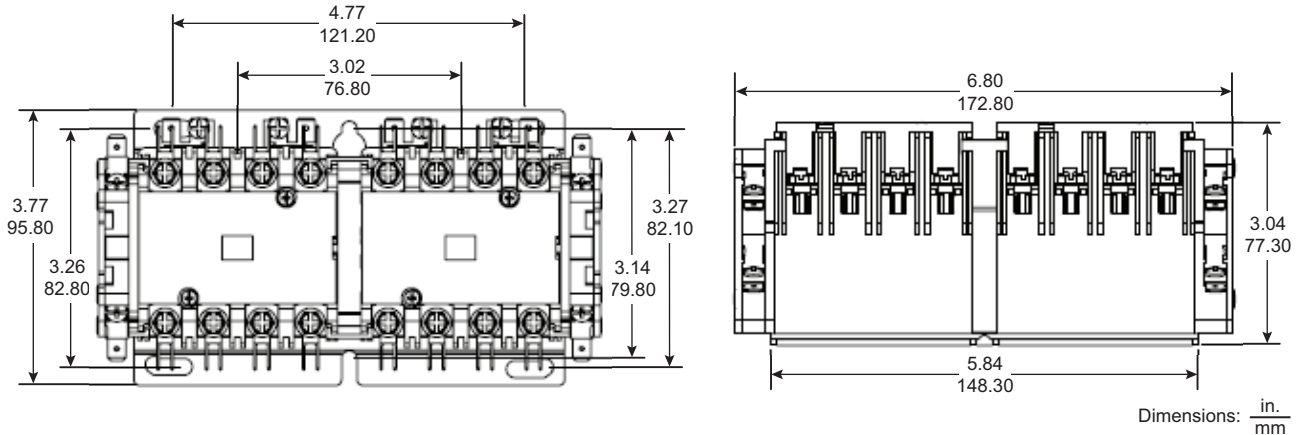


Table 19: Cross-Reference of Existing to Replacement Devices, Class 8911

Class 8911 Type		Class 8911 Type	
Existing Device	Replacement Device	Existing Device	Replacement Device
HO33	DPSO13	LO33	DPSO43
HG33	DPSG13		
JO33	DPSO23	LG33	DPSG43
JG33	DPSG23		
KO33	DPSO33	MO33	DPSO53
KG33	DPSG33	MG33	DPSG53
KO43	[1]	MO43	[1]
KG43		MG43	

[1] A Type DPS 4-pole starter is not available. The 3-pole device with auxiliary contact is recommended.

Table 20: Parts and Accessories

Description	Class and Type
Start-Stop push button kit [1]	8911DPB1
Hand-Off-Auto selector switch kit [1]	8911DSS1
Standard N.C. overload relay contact	9998SO1
N.C. and N.O. isolated overload relay alarm contacts	9999SO4
Overload relay jumper strap	9998SO31

[1] Use for 20–40 A starters; for larger sizes, contact your local Schneider Electric office. These kits include the support bracket for the operator and slip-on connectors where required.