

Selection Guide

Selecting the Transformer

Follow these steps to select the appropriate Type T or TF industrial control transformer and accessories:

1. Determine if you require the Type T or Type TF industrial control transformer (see "Product Descriptions" on page 3). Type TF units have factory-installed primary and secondary fuse blocks.
2. From Table 3 on page 5, determine the UL rating. If a CE marking is required, determine the multiple rating.
3. Choose the voltage code from Table 4, making sure the VA rating falls within the permissible range.
4. Create the catalog number by referring to the catalog ordering scheme below.

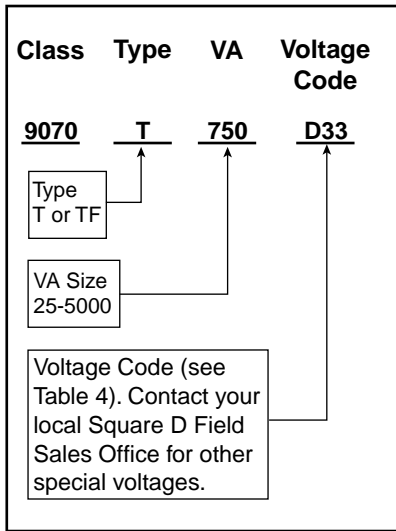


Figure 1: Catalog Number Example

Table 4: Type T and TF Transformer Selection

Application	Code	Primary Voltage	Secondary Voltage	Acc Code	Wiring Diagram	Type T Dim Table	Type TF Dim Table
	D1	240 x 480 230 x 460 220 x 440	120 115 110	I	2	17	23
	D31	240 x 480 230 x 460 220 x 440	120/240 115/230 110/220	I	8	17	23
	D86	460/480/504	120	I	13	17	23
	D101	480/575	115	I	3	17	23
	D24	120 115 110	120 115 110	I	1	17	23
	D55	120 x 240	120/240	I	8	17	23
	D3	208	120	I	1	17	23
	D51	208/277	120	I	3	17	23
	D57	208 x 416	120/240	I	8	17	23
	D100	200/208	120	I	3	17	23
	D4	277	120	I	1	17	23
	D60	277	120/240	I	7	17	23
	D93	200	115	I	1	17	23
	D84	190/200/210	110	I	13	17	23
	D33	380/400/415	115/230	I	21	17	23
	D6	380	110	I	1	17	23
	D58	347/380	120/240	I	9	17	23
	D85	360/380/400	110	I	13	17	23
	D103	400	120	I	1	17	23
	D102	400/415/440	110	I	13	17	23
	D17	415	110	I	1	17	23
	D5	600 575 550	120 115 110	I	1	17	23
	D37	600	120/240	I	7	17	23
	D18	208/277/380	95/115	II	32	19	25
	D20	208/230/460	115	II	13	19	25
	D26	208/240 x 416/480	120	II	22	19	25
	D27	208/240/480	120	II	13	19	25
	D32	240/480/600 230/460/575 220/440/550	100/120 95/115 90/110	II	32	19	25
	D34	208/480/575	120	II	13	19	25
	D39	208/380/416	95/115	II	32	19	25
	D48	208/230/460	115/230	II	21	19	25
	D90	240/347/380	120/240	II	21	19	25
	D95	208/240/480 200/230/460 190/220/440	120 115 110	II	13	19	25
	D41	208/230/400/440/460	110/115	III	41	21	27
	D44	208/220/380/460	110/115/120	III	43	21	27
	D50	240/416/480/600 230/400/460/575 220/380/440/550 208/364/420/500	99/120/130 95/115/125 91/110/120 85/100/110	III	43	22	
	D75	220/380/460/575	110	III	16	21	27
	D83	208/230/277/460	120	III	16	21	27
	D87	208/240/380/416/480	120/240	III	37	21	27
	D35	208/230/380/440/460	110/115	III	41	21	27
	D40	208/240/380/416/480	120	III	20	21	27

120, 115, 110 V
Control Circuit

