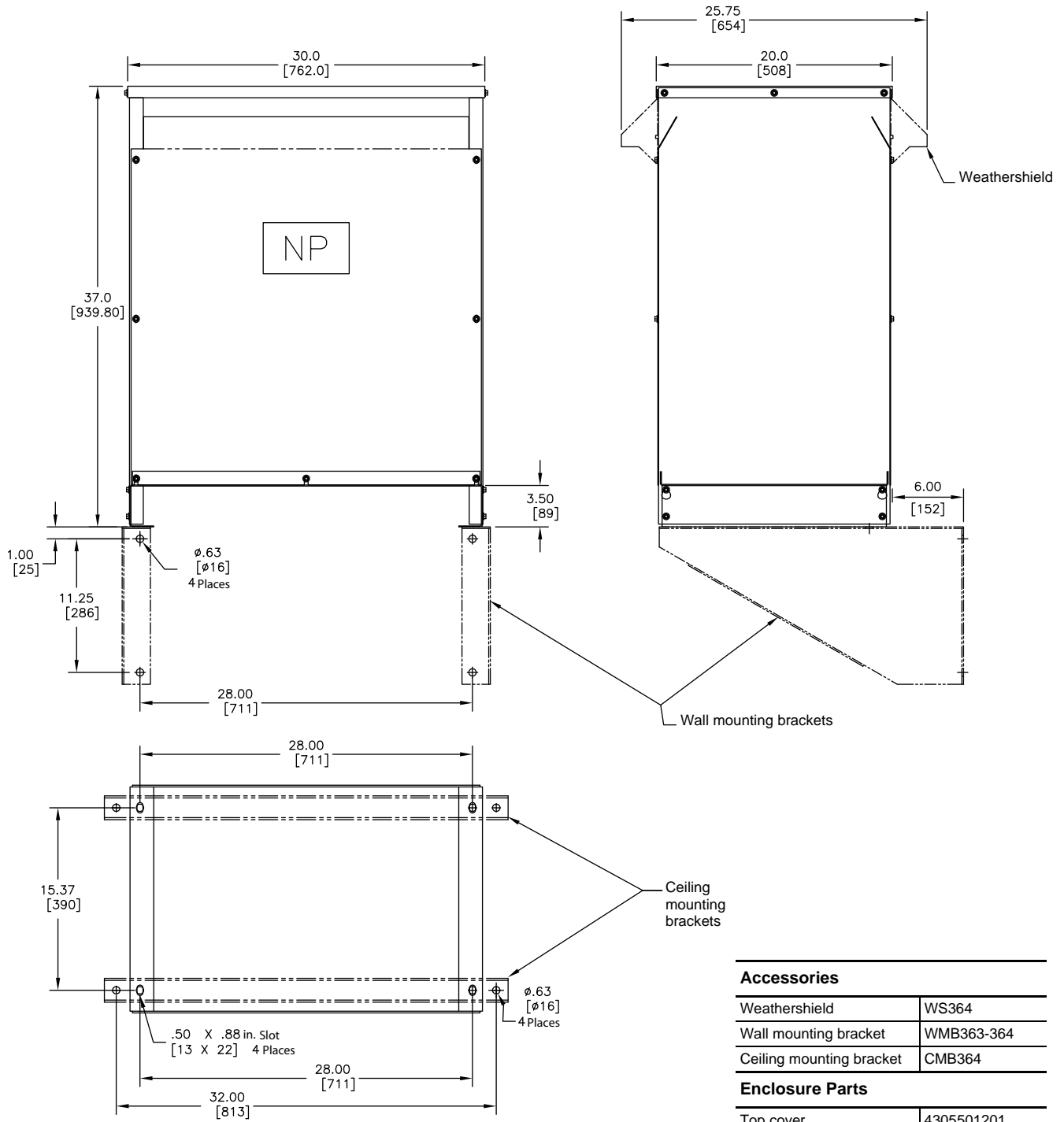


# Premium 30 Energy Efficient Transformers

## Technical Data

### Enclosure 20D—Dry-Type Transformer



#### Accessories

Weathershield	WS364
Wall mounting bracket	WMB363-364
Ceiling mounting bracket	CMB364

#### Enclosure Parts

Top cover	4305501201
Front <sup>1</sup>	4310192201
Rear	4310192201
Sides (ends)	4310179701
Base	4305500901

<sup>1</sup> When replacing a front panel, specify the transformer part number and "with nameplate and labels" on the order.