

Instrument Transformers—600 Volt Class

Torroidal Current Transformers, Shorting Terminal Blocks

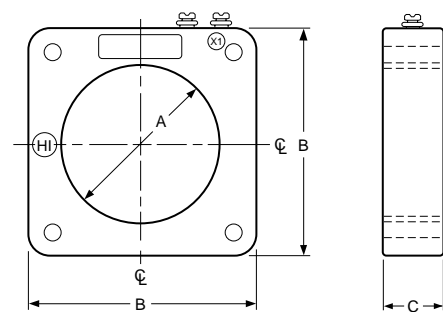
Class 4210

Square D

www.squared.com

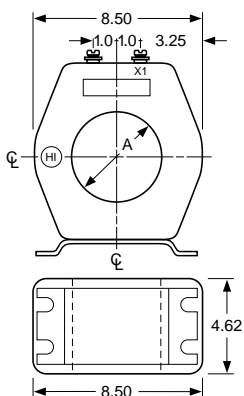
FOR CURRENT INFORMATION

Models 152R, 170R, 180R, 210R



Model	Dimensions (inches)		
	A	B	C
152R	6.88	12.25	4.12
170R	4.25	6.75	1.31
180R	2.50	4.50	2.12
210R	6.25	9.50	2.87

Models 200R, 201R, 202R and 203R



Model*	Dimension A (Inches)
200R	2.50
201R	3.50
202R	4.50
203R	5.25

* Base is included

Shorting Terminal Blocks

3090TB4	Shorting Terminal Block (4-pole)	\$49.00
3090TB6	Shorting Terminal Block (6-pole)	\$6.00

Torroidal Current Transformers UR/cUR Recognized 25–400 Hz

Window Size	Catalog Number* (without brackets)†	Current Rating (Amperes)	Relay Class	ANSI Accuracy Classification – 60 Hz Metering Class				Rating Factor 30°C Ambient	Price		
				B-0.1	B-0.2	B-0.5	B-0.9				
6 7/8"	152R500	50:5	C10	1.2	–	–	–	1.33	\$418.		
	152R101	100:5	C20	1.2	2.4	–	–	1.33	458.		
	152R151	150:5	C50	0.6	1.2	2.4	–	1.33	493.		
	152R201	200:5	C50	0.6	0.6	1.2	2.4	1.33	515.		
	152R251	250:5	C50	0.3	0.6	0.6	1.2	2.4	1.33	531.	
	152R301	300:5	C100	0.3	0.3	0.6	1.2	1.2	1.33	549.	
	152R401	400:5	C100	0.3	0.3	0.3	0.6	1.2	1.33	578.	
	152R501	500:5	C100	0.3	0.3	0.3	0.3	0.6	1.33	597.	
	152R601	600:5	C200	0.3	0.3	0.3	0.3	0.6	1.33	619.	
	152R801	800:5	C200	0.3	0.3	0.3	0.3	0.3	1.33	648.	
	152R102	1000:5	C200	0.3	0.3	0.3	0.3	0.3	1.33	679.	
	152R122	1200:5	C400	0.3	0.3	0.3	0.3	0.3	1.33	699.	
	152R152	1500:5	C400	0.3	0.3	0.3	0.3	0.3	1.33	724.	
	152R162	1600:5	C400	0.3	0.3	0.3	0.3	0.3	1.33	737.	
	152R202	2000:5	C400	0.3	0.3	0.3	0.3	0.3	1.33	761.	
	152R252	2500:5	C400	0.3	0.3	0.3	0.3	0.3	1.33	791.	
	152R302	3000:5	C400	0.3	0.3	0.3	0.3	0.3	1.33	819.	
	152R402	4000:5	C800	0.3	0.3	0.3	0.3	0.3	1.33	859.	
4 1/4"	170R201	200:5	–	1.2	0.6	2.4	–	–	1.33	84.	
	170R251	250:5	–	0.6	0.6	2.4	–	–	1.33	84.	
	170R301	300:5	–	0.6	0.6	1.2	2.4	–	1.33	84.	
	170R401	400:5	–	0.6	0.6	0.6	1.2	–	1.33	84.	
	170R501	500:5	–	0.3	0.6	0.6	1.2	–	1.33	84.	
	170R601	600:5	–	0.3	0.3	0.6	1.2	2.4	1.33	84.	
	170R751	750:5	C10	0.3	0.3	0.6	0.6	1.2	1.33	88.	
	170R801	800:5	C10	0.3	0.3	0.3	0.6	1.2	1.33	88.	
	170R102	1000:5	C10	0.3	0.3	0.3	0.3	0.6	1.33	115.	
	170R122	1200:5	C10	0.3	0.3	0.3	0.3	0.6	1.33	115.	
	170R152	1500:5	–	0.3	0.3	0.3	0.3	0.6	1.33	143.	
	170R162	1600:5	–	0.3	0.3	0.3	0.3	0.6	1.33	143.	
170R202	2000:5	–	0.3	0.3	0.3	0.3	0.3	1.33	143.		
170R252	2500:5	–	0.3	0.3	0.3	0.3	0.3	1.33	143.		
2 1/2"	180R101	100:5	–	2.4	2.4	–	–	–	1.33	65.	
	180R151	150:5	–	1.2	2.4	–	–	–	1.33	65.	
	180R201	200:5	–	1.2	1.2	2.4	–	–	1.33	65.	
	180R251	250:5	–	0.6	1.2	2.4	2.4	–	1.33	65.	
	180R301	300:5	–	0.6	0.6	1.2	2.4	–	1.33	65.	
	180R401	400:5	–	0.3	0.3	0.6	1.2	2.4	1.33	65.	
	180R501	500:5	–	0.3	0.3	0.6	0.6	1.2	1.33	65.	
	180R601	600:5	–	0.3	0.3	0.3	0.6	1.2	1.33	65.	
	180R751	750:5	–	0.3	0.3	0.3	0.3	0.6	1.33	71.	
	180R801	800:5	–	0.3	0.3	0.3	0.6	1.2	1.33	71.	
	180R102	1000:5	–	0.3	0.3	0.3	0.6	0.6	1.33	91.	
	180R122	1200:5	–	0.3	0.3	0.3	0.3	0.6	1.33	91.	
180R152	1500:5	–	0.3	0.3	0.3	0.3	0.3	1.33	97.		
2 1/2"	210R122	1200:5	C100	0.3	0.3	0.3	0.3	0.3	1.33	324.	
	210R162	1600:5	C100	0.3	0.3	0.3	0.3	0.3	1.33	324.	
	210R202	2000:5	C100	0.3	0.3	0.3	0.3	0.3	1.33	324.	
	210R252	2500:5	C200	0.3	0.3	0.3	0.3	0.3	1.33	368.	
	210R302	3000:5	C200	0.3	0.3	0.3	0.3	0.3	1.0	368.	
	210R402	4000:5	C200	0.3	0.3	0.3	0.3	0.3	1.0	411.	
2 1/2"	200R101	100:5	C50	0.6	1.2	1.2	–	–	1.5	427.	
	200R151	150:5	C50	0.3	0.6	0.6	1.2	2.4	1.5	427.	
	200R201	200:5	C100	0.3	0.3	0.6	1.2	1.2	1.5	427.	
	200R251	250:5	C100	0.3	0.3	0.3	0.6	1.2	1.5	427.	
	200R301	300:5	C100	0.3	0.3	0.3	0.3	0.6	1.5	427.	
	200R401	400:5	C200	0.3	0.3	0.3	0.3	0.3	1.5	427.	
	200R501	500:5	C200	0.3	0.3	0.3	0.3	0.3	1.5	427.	
	200R601	600:5	C200	0.3	0.3	0.3	0.3	0.3	1.5	427.	
3 1/2"	201R101	100:5	C20	1.2	1.2	2.4	2.4	–	1.5	349.	
	201R151	150:5	C50	0.3	0.6	1.2	2.4	2.4	1.5	349.	
	201R201	200:5	C50	0.3	0.3	0.6	1.2	2.4	1.5	349.	
	201R251	250:5	C100	0.3	0.3	0.6	1.2	1.2	1.5	349.	
	201R301	300:5	C100	0.3	0.3	0.3	0.6	1.2	1.5	349.	
	201R401	400:5	C100	0.3	0.3	0.3	0.3	0.6	1.5	359.	
	201R501	500:5	C200	0.3	0.3	0.3	0.3	0.3	1.5	359.	
	201R601	600:5	C200	0.3	0.3	0.3	0.3	0.3	1.5	359.	
	201R751	750:5	C200	0.3	0.3	0.3	0.3	0.3	1.5	370.	
	201R801	800:5	C200	0.3	0.3	0.3	0.3	0.3	1.5	389.	
	4 1/2"	202R101	100:5	C20	1.2	2.4	2.4	–	–	1.5	304.
		202R151	150:5	C20	1.2	1.2	2.4	2.4	–	1.5	304.
202R201		200:5	C50	0.3	0.6	1.2	1.2	2.4	1.5	304.	
202R251		250:5	C50	0.3	0.3	0.6	1.2	1.2	1.5	313.	
202R301		300:5	C50	0.3	0.3	0.6	0.6	1.2	1.5	313.	
202R401		400:5	C100	0.3	0.3	0.3	0.3	0.6	1.5	319.	
202R501		500:5	C100	0.3	0.3	0.3	0.3	0.8	1.5	319.	
202R601		600:5	C100	0.3	0.3	0.3	0.3	0.3	1.5	323.	
202R751		750:5	C200	0.3	0.3	0.3	0.3	0.3	1.5	323.	
202R801		800:5	C200	0.3	0.3	0.3	0.3	0.3	1.5	330.	
202R102		1000:5	C200	0.3	0.3	0.3	0.3	0.3	1.5	365.	
5 1/4"		203R101	100:5	C20	1.2	2.4	–	–	–	1.5	269.
	203R151	150:5	C20	0.6	1.2	2.4	2.4	–	1.5	269.	
	203R201	200:5	C20	0.3	0.6	1.2	2.4	2.4	1.5	269.	
	203R251	250:5	C20	0.3	0.6	1.2	1.2	2.4	1.5	269.	
	203R301	300:5	C50	0.3	0.3	0.6	1.2	1.2	1.5	269.	
	203R401	400:5	C50	0.3	0.3	0.6	0.6	1.2	1.5	269.	
	203R501	500:5	C100	0.3	0.3	0.3	0.3	0.6	1.5	269.	
	203R601	600:5	C100	0.3	0.3	0.3	0.3	0.6	1.5	269.	
	203R751	750:5	C100	0.3	0.3	0.3	0.3	0.3	1.5	275.	
	203R801	800:5	C100	0.3	0.3	0.3	0.3	0.3	1.5	275.	
	203R102	1000:5	C200	0.3	0.3	0.3	0.3	0.3	1.5	275.	
	203R122	1200:5	C200	0.3	0.3	0.3	0.3	0.3	1.5	275.	
	203R152	1500:5	C200	0.3	0.3	0.3	0.3	0.3	1.5	287.	
	203R162	1600:5	C200	0.3	0.3	0.3	0.3	0.3	1.33	287.	
	203R202	2000:5	C200	0.3	0.3	0.3	0.3	0.3	1.33	287.	
	203R252	2500:5	C200	0.3	0.3	0.3	0.3	0.3	1.33	287.	
	203R302	3000:5	C200	0.3	0.3	0.3	0.3	0.3	1.33	287.	

† Mounting brackets on page 12-24

• Catalog Numbers shown in bold letters are normally stocked items.