

Toroidal Current Transformers (Single Ratio)

Models 100R and 110R



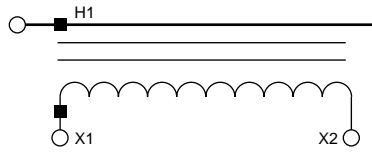
Model 100R

Designed for metering and control relaying applications.

DESCRIPTION

- Permanent polarity marks molded into the case.
- Large, easy-to-read ratios are clearly marked on the case.
- Secondary terminals are #10-32 brass screws and include flat washers and bronze lockwashers for easy installation.
- Optional mounting brackets are shipped unassembled.
- Frequency: 25-400 Hz
- Insulation: 10 kV BIL full wave (600 volt class).
- Applicable Standard – ANSI C57.13.
- UL and CUL recognized per Classification XODW2.

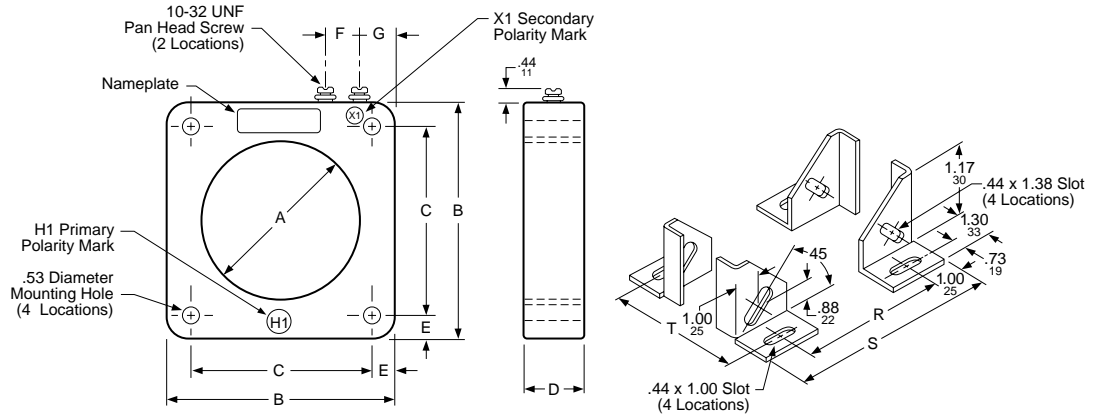
Single Ratio Connection Diagram



Model 110R

Designed for metering and relaying applications.

Dimensions



Mounting Bracket MB-31 & 32

Dual Dimensions $\frac{\text{inches}}{\text{mm}}$

Model	Dimensions														Mounting Bracket
	A		B		C		D		E		F		G		
	IN	mm	IN	mm	IN	mm	IN	mm	IN	mm	IN	mm	IN	mm	
100R	4.00	102	7.00	178	5.75	146	2.12	54	0.62	16	1.00	25	1.25	32	MB-31
110R	4.00	102	7.00	178	5.75	146	2.88	73	0.62	16	1.00	25	1.25	32	MB-32

Model	Mounting Bracket	Dimensions					
		R		S		T	
		IN	mm	IN	mm	IN	mm
100R	MB-31	5.00	127	7.16	182	3.75	95
110R	MB-32	5.00	127	7.16	182	4.50	114



Torroidal Current Transformers (Single Ratio) Models 100R and 110R

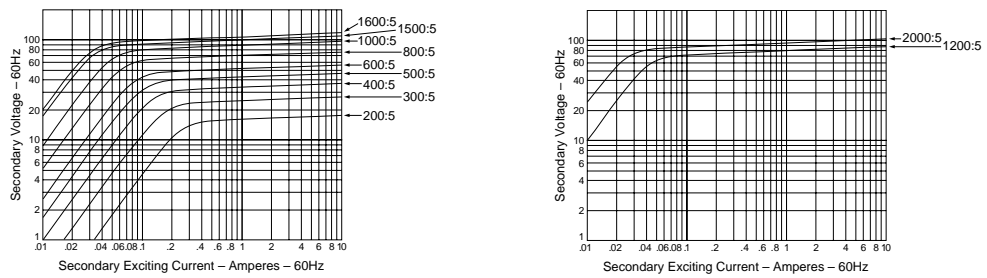
Model 100R

Catalog Number	Current Rating ▲ (Amperes)	Relay Class	ANSI metering Accuracy Class-60 Hz					DC Resistance (Ohms) at 25 °C	Weight	
			B0.1	B0.2	B0.5	B0.9	B1.8		lb	kg
100R-201	200:5	C10	0.6	1.2	2.4	—	—	0.0619	9.2	4.2
100R-301	300:5	C10	0.3	0.6	1.2	1.2	2.4	0.0929	9.2	4.2
100R-401	400:5	C20	0.3	0.3	0.6	1.2	1.2	0.1239	9.3	4.2
100R-501	500:5	C20	0.3	0.3	0.6	0.6	1.2	0.1548	9.4	4.3
100R-601	600:5	C20	0.3	0.3	0.3	0.6	0.6	0.2331	9.5	4.3
100R-801	800:5	C20	0.3	0.3	0.3	0.3	0.6	0.3109	9.7	4.4
100R-102	1000:5	C50	0.3	0.3	0.3	0.3	0.3	0.3886	9.9	4.5
100R-122	1200:5	C50	0.3	0.3	0.3	0.3	0.3	0.3589	8.6	3.9
100R-152	1500:5	C50	0.3	0.3	0.3	0.3	0.3	0.4886	8.7	3.9
100R-162	1600:5	C50	0.3	0.3	0.3	0.3	0.3	0.4453	8.9	4.0
100R-202	2000:5	C50	0.3	0.3	0.3	0.3	0.3	0.5623	9.1	4.1

Rating Factor 30 °C Ambient Temp. = 1.33, Rating Factor 55 °C Ambient Temp. = 1.0

▲ Ratios are based on one primary turn, with user-applied primary conductor. Refer to page 52 for other ratios using multiple primary turns or secondary turns.

Excitation Curves—Model 100R



Model 110R

Catalog Number	Current Rating ▲ (Amperes)	Relay Class	ANSI metering Accuracy Class-60 Hz					DC Resistance (Ohms) at 25 °C	Weight	
			B0.1	B0.2	B0.5	B0.9	B1.8		lb	kg
110R-201	200:5	C20	0.6	0.6	1.2	2.4	—	0.0619	13.6	6.2
110R-301	300:5	C20	0.3	0.3	0.6	1.2	2.4	0.0929	13.6	6.2
110R-401	400:5	C20	0.3	0.3	0.3	0.6	1.2	0.1239	13.8	6.2
110R-501	500:5	C50	0.3	0.3	0.3	0.6	0.6	0.1548	13.8	6.2
110R-601	600:5	C50	0.3	0.3	0.3	0.3	0.6	0.2331	13.9	6.3
110R-801	800:5	C50	0.3	0.3	0.3	0.3	0.6	0.3109	14.2	6.4
110R-102	1000:5	C100	0.3	0.3	0.3	0.3	0.3	0.3886	14.4	6.5
110R-122	1200:5	C100	0.3	0.3	0.3	0.3	0.3	0.3589	12.2	5.5
110R-152	1500:5	C100	0.3	0.3	0.3	0.3	0.3	0.4886	12.6	5.7
110R-162	1600:5	C100	0.3	0.3	0.3	0.3	0.3	0.4453	12.7	5.8
110R-202	2000:5	C100	0.3	0.3	0.3	0.3	0.3	0.5623	13.3	6.0

Rating Factor 30 °C Ambient Temp. = 1.33, Rating Factor 55 °C Ambient Temp. = 1.0

▲ Ratios are based on one primary turn, with user-applied primary conductor. Refer to page 52 for other ratios using multiple primary turns or secondary turns.

Excitation Curves—Model 110R

