

Selection Guide

Selecting the Transformer

Follow these steps to select the appropriate Type T or TF industrial control transformer and accessories:

1. Determine if you require the Type T or Type TF industrial control transformer (see "Product Descriptions" on page 3). Type TF units have factory-installed primary and secondary fuse blocks.
2. From Table 3 on page 5, determine the UL rating. If a CE marking is required, determine the multiple rating.
3. Choose the voltage code from Table 4, making sure the VA rating falls within the permissible range.
4. Create the catalog number by referring to the catalog ordering scheme below.

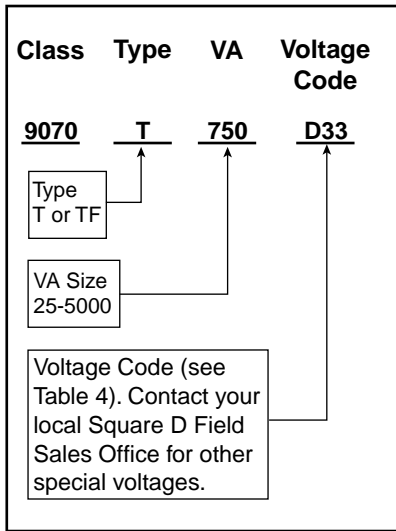


Figure 1: Catalog Number Example

Table 4: Type T and TF Transformer Selection

| Application | Code | Primary Voltage | Secondary Voltage | Acc Code | Wiring Diagram | Type T Dim Table | Type TF Dim Table |
|-------------|------|--|--|----------|----------------|------------------|-------------------|
| | D1 | 240 x 480 230 x 460 220 x 440 | 120 115 110 | I | 2 | 17 | 23 |
| | D31 | 240 x 480 230 x 460 220 x 440 | 120/240 115/230 110/220 | I | 8 | 17 | 23 |
| | D86 | 460/480/504 | 120 | I | 13 | 17 | 23 |
| | D101 | 480/575 | 115 | I | 3 | 17 | 23 |
| | D24 | 120 115 110 | 120 115 110 | I | 1 | 17 | 23 |
| | D55 | 120 x 240 | 120/240 | I | 8 | 17 | 23 |
| | D3 | 208 | 120 | I | 1 | 17 | 23 |
| | D51 | 208/277 | 120 | I | 3 | 17 | 23 |
| | D57 | 208 x 416 | 120/240 | I | 8 | 17 | 23 |
| | D100 | 200/208 | 120 | I | 3 | 17 | 23 |
| | D4 | 277 | 120 | I | 1 | 17 | 23 |
| | D60 | 277 | 120/240 | I | 7 | 17 | 23 |
| | D93 | 200 | 115 | I | 1 | 17 | 23 |
| | D84 | 190/200/210 | 110 | I | 13 | 17 | 23 |
| | D33 | 380/400/415 | 115/230 | I | 21 | 17 | 23 |
| | D6 | 380 | 110 | I | 1 | 17 | 23 |
| | D58 | 347/380 | 120/240 | I | 9 | 17 | 23 |
| | D85 | 360/380/400 | 110 | I | 13 | 17 | 23 |
| | D103 | 400 | 120 | I | 1 | 17 | 23 |
| | D102 | 400/415/440 | 110 | I | 13 | 17 | 23 |
| | D17 | 415 | 110 | I | 1 | 17 | 23 |
| | D5 | 600 575 550 | 120 115 110 | I | 1 | 17 | 23 |
| | D37 | 600 | 120/240 | I | 7 | 17 | 23 |
| | D18 | 208/277/380 | 95/115 | II | 32 | 19 | 25 |
| | D20 | 208/230/460 | 115 | II | 13 | 19 | 25 |
| | D26 | 208/240 x 416/480 | 120 | II | 22 | 19 | 25 |
| | D27 | 208/240/480 | 120 | II | 13 | 19 | 25 |
| | D32 | 240/480/600 230/460/575 220/440/550 | 100/120 95/115 90/110 | II | 32 | 19 | 25 |
| | D34 | 208/480/575 | 120 | II | 13 | 19 | 25 |
| | D39 | 208/380/416 | 95/115 | II | 32 | 19 | 25 |
| | D48 | 208/230/460 | 115/230 | II | 21 | 19 | 25 |
| | D90 | 240/347/380 | 120/240 | II | 21 | 19 | 25 |
| | D95 | 208/240/480 200/230/460 190/220/440 | 120 115 110 | II | 13 | 19 | 25 |
| | D41 | 208/230/400/440/460 | 110/115 | III | 41 | 21 | 27 |
| | D44 | 208/220/380/460 | 110/115/120 | III | 43 | 21 | 27 |
| | D50 | 240/416/480/600 230/400/460/575 220/380/440/550 208/364/420/500 | 99/120/130 95/115/125 91/110/120 85/100/110 | III | 43 | 22 | |
| | D75 | 220/380/460/575 | 110 | III | 16 | 21 | 27 |
| | D83 | 208/230/277/460 | 120 | III | 16 | 21 | 27 |
| | D87 | 208/240/380/416/480 | 120/240 | III | 37 | 21 | 27 |
| | D35 | 208/230/380/440/460 | 110/115 | III | 41 | 21 | 27 |
| | D40 | 208/240/380/416/480 | 120 | III | 20 | 21 | 27 |

120, 115, 110 V
Control Circuit

Table 4: Type T and TF Transformer Selection (Cont.)

| Application | Code | Primary Voltage | Secondary Voltage | Acc Code | Wiring Diagram | Type T Dim Table | Type TF Dim Table |
|----------------------------|---------------------|-----------------|-------------------|----------|----------------|------------------|-------------------|
| 12/24 V Control Circuit | D2 | 240 x 480 | 24 | I | 2 | 18 | 24 |
| | D38 | 240 x 480 | 12 | I | 2 | 18 | 24 |
| | D59 | 240 x 480 | 12/24 | I | 8 | 18 | 24 |
| | D64 | 480 | 24/48 | I | 7 | 18 | 24 |
| | D92 | 230 x 460 | 24 | I | 2 | 18 | 24 |
| | D13 | 120 | 12/24 | I | 7 | 18 | 24 |
| | D21 | 120 | 12 | I | 1 | 18 | 24 |
| | D54 | 120 x 240 | 12/24 | I | 8 | 18 | 24 |
| | D23 | 120 x 240 | 24 | I | 2 | 18 | 24 |
| | D89 | 115 x 240 | 24 | I | 2 | 18 | 24 |
| | D66 | 208/240 | 24 | I | 3 | 18 | 24 |
| | D14 | 208 | 24 | I | 1 | 18 | 24 |
| | D63 | 208 | 24/48 | I | 7 | 18 | 24 |
| | D56 | 208 x 416 | 12/24 | I | 8 | 18 | 24 |
| | D25 | 277 | 24 | I | 1 | 18 | 24 |
| | D78 | 277 | 24/48 | I | 7 | 18 | 24 |
| | D52 | 380/400/415 | 12/24 | I | 21 | 18 | 24 |
| | D88 | 380 | 24 | I | 1 | 18 | 24 |
| | D61 | 347/380 | 12/24 | I | 9 | 18 | 24 |
| | D36 | 600 | 12/24 | I | 7 | 18 | 24 |
| | D16 | 600 | 24 | I | 1 | 18 | 24 |
| | D45 | 230/460/575 | 12 | II | 13 | 20 | 26 |
| | D68 | 200/220/240 | 24 | II | 13 | 20 | 26 |
| | D70 | 400/440/480 | 24 | II | 13 | 20 | 26 |
| | D73 | 360/380/400 | 24 | II | 13 | 20 | 26 |
| | D97 | 440/460/480 | 24 | II | 13 | 20 | 26 |
| D19 | 208/240/277/380/480 | 24 | III | 20 | 20 | 26 | |
| Other Voltage Combinations | D15★ | 240 x 480 | 24/120 | I | 5 | 17 | 23 |
| | D65 | 200/220/440 | 23/110 | II | 32 | 20 | 26 |
| | | 208/230/460 | 24/115 | II | 32 | 20 | 26 |
| | | 217/240/480 | 25/120 | II | 32 | 20 | 26 |
| | D22 | 480 | 277 | I | 1 | 17 | 23 |
| | D62 | 600 | 240 | I | 1 | 17 | 23 |
| | D12 | 480 | 240 | I | 1 | 17 | 23 |
| | | 460 440 | 230 220 | | | | |
| D82 | 415 | 230 | I | 1 | 17 | 23 | |
| D43 | 400/440/460 | 230 | II | 13 | 20 | 26 | |

★ 24 V rated at 20% capacity; 120 V rated at 100% capacity

VA Limits:

- 12 V secondary: 50–1000 VA
- 24 or 12/24 V secondary: 50–2000 VA
- MultiTap Units: 25–3000 VA
- Check with factory if your needs exceed these VA limits

