



LytePro16 Architectural LED Wall Sconce

Features Philips LEDGINE “future-proof” technology in a handsome luminaire

The architecturally attractive LytePro16 is a compact LED luminaire designed for exterior wall mounting in commercial and residential applications. It is ideal for general-purpose illumination along perimeters, entrances and garages for safety and security installations as well as accent lighting around buildings.

Optical performance

LytePro16's precision optical system includes 16 high-output LEDs consuming only 40 watts for economical operation. The shielded optics deliver minimal glare and high uniformity at 4000K neutral white color temperature. Available in Type III distribution, standard optics meet IES Cutoff criteria.

Heat management

Constructed of a die cast aluminum, the euro-styled LytePro16 includes an integral heat sink ensuring cool operation for a 60,000 hour rated life. Designed to operate at temperatures ranging from -30°C to 40°C (-22°F to 104°F), the patent-pending design is fully gasketed for dust control and includes an glass lens.

Family of outdoor luminaires

The LytePro16 wall sconce is one of a family of high performance outdoor LED luminaires that includes the LytePro7 wall sconce and the LytePro Plus LED

area luminaire. The LytePro series is designed to be complementary and deliver correct scale proportionality for all facets of your installation.

LEDGINE protects your investment

Philips developed the LEDGINE as a unique and upgradeable light engine system that will maintain pace with improvements in LED modules and drivers. Designed as a global platform, LEDGINE's future-proof design simplifies light engine replacement so you don't get left behind as new technology comes on line.

Designed with sustainability in mind

The LytePro series is one more reason why Stonco is your source for environmentally-friendly luminaires. Low power consumption coupled with long life and mercury-free operation makes LytePro gentle on our environment.



Product Features

| | |
|----------------------------|---|
| Housing: | Heavy die cast aluminum; fully gasketed; glass lens |
| Life rating: | 25°C Ambient 60,000 hours |
| System watts: | 40 |
| No. of LEDs: | 16 LEDs |
| Initial lumens: | 2500 |
| Distributions: | IES Type III |
| Operating ambient: | 40°C max. |
| Temperatures range: | -30°C (-22°F) to 40°C (104°F) |
| Driver: | High efficiency multi-volt driver (50 or 60 Hz), Constant current: 700 mA |

| | |
|---------------------------|---|
| CRI: | 65.5 |
| Efficacy (L/W): | 62.5 |
| Color Temperature: | 4000K (neutral) |
| Finish: | Corrosion resistant polyester powder coating; White and titanium finishes available |
| Warranty/Listings: | 5 year warranty; ETL approved for wet locations, IP65 rating |



Ordering Information

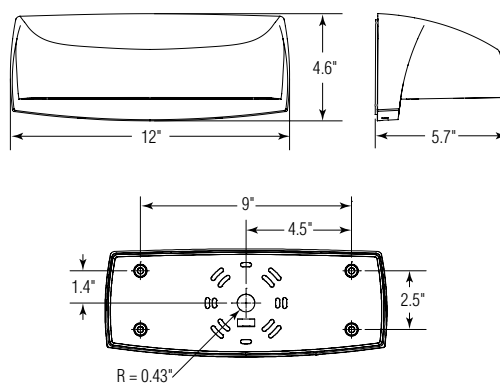


LP16W
White Finish
120-277 volt, 50/60 Hz



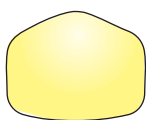
LP16T
Titanium Finish
120-277 volt, 50/60 Hz

Dimensional Data



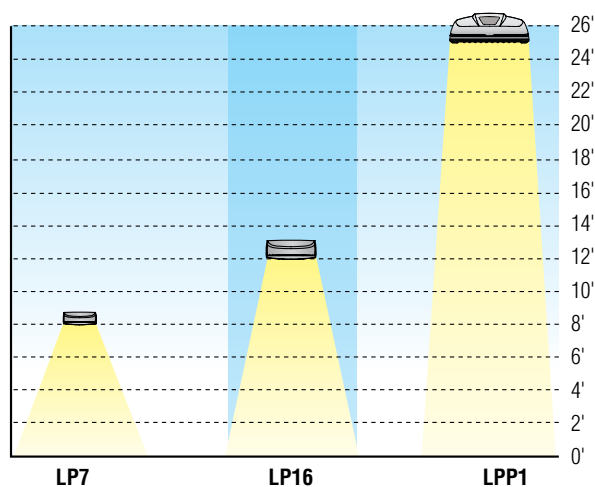
The LytePro16 is fully gasketed and listed for wet locations.

Distribution



Type III
Medium, asymmetric throw for defined geometric areas

Mounting Height



Accessories

PCB1 Photocontrol Button



©2011 Stonco
All rights reserved

2345 Vauxhall Road
Union, NJ 07083
800-334-2212
www.crescent-stonco.com



Stonco is a Philips group brand
Form No. LP161111-5K



Printed on recycled paper
Printed in U.S.A.