

SAF SERIES

Hazardous Location Mogul Base HID and Compact Fluorescent

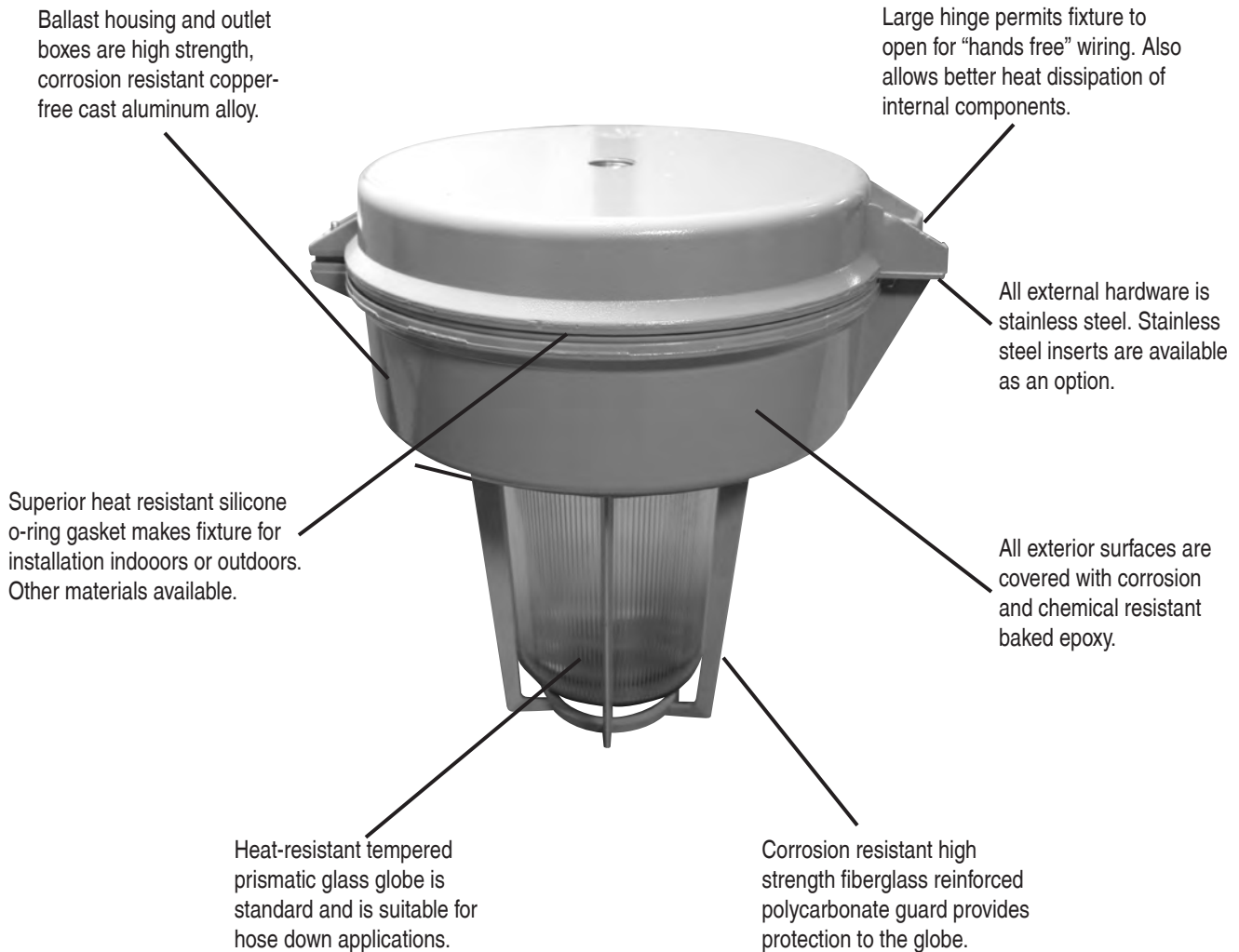
- Class I, Division 2, Groups A, B, C & D
- Class II, Division 1 & 2, Groups E, F & G
- Class III
- Zone 2, Groups IIA, IIB & IIC
- UL 844 Hazardous Locations
- UL 1598 Wet Locations
- UL 1598A Marine Outside Type
- UL 924 Emergency Lighting
- NEMA 3R & 4X
- IP66
- CSA Certified
- Restricted Breathing (175W Max.)
- AExnR II, ExnR II & T3
- Enclosed & Gasketed



AZZ | R-A-L™
RIG-A-LITE

SAF SERIES

Hazardous Location Mogul Base HID and Compact Fluorescent



Suitable for installation on marine environments where equipment is subject to salt water spray, either indoor or outdoor.

- UL 844 Hazardous Locations
- UL 924 Emergency Lighting
- UL 1598A Marine Outdoor
- Enclosed and Gasketed
- Suitable for wet locations
- Suitable for hose down applications

SAF Series

Hazardous Locations • Class I, Division 2 • Class II • Class III • UL 1598, 1598A, 844 • Wet Locations • CSA Certified

Catalog Number Logic

★Refer to Certification Guide to determine suitability of individual fixture.

Catalog logic is for explaining catalog number structure only. Not all combinations are possible; consult factory for catalog numbers not listed in charts.

SAF 15-S-04-GG-P-XX

1

2

3

4

5

6

7

1 BASIC SERIES*

SAF Hazardous Location HID and CFL
Class I, Division 2, Groups A, B, C & D
Class II, Division 1 & 2, Groups E, F & G
Class III
Zone 2, Groups IIA, IIB & IIC
Enclosed and Gasketed
Wet Locations
NEMA 3R, 4X; IP66
UL 1598, 1598A & 844
UL 924 Emergency Lighting
CSA Certified
Restricted Breathing (175W Max.)
(Annual Testing Not Required)

BASIC SERIES SAFR★

SAFR Hazardous Location HID & CFL
Class I, Division 2, Groups A, B, C & D
Enclosed & Gasketed
Wet Locations
NEMA 3R & 4X
UL 1598, 1598A & 844
CSA Certified
IP66

2 LAMP CURRENT/LAMP WATTAGE

26 = 26 Watt
32 = 32 Watt CF /320 Watt MH
42 = 42 Watt
52 = 52 Watt
64 = 64 Watt
07 = 70 Watt
84 = 84 Watt
10 = 100 Watt
15 = 150 Watt
17 = 175 Watt
25 = 250 Watt
40 = 400 Watt

3 LAMP TYPE¹

S = High Pressure Sodium
H = Metal Halide
F = Fluorescent

4 BALLAST VOLTAGE

04 = Multi-Tap
12 = 120V 60HZ
20 = 208V 60HZ
22 = 220V 50HZ
24 = 240V 60HZ
27 = 277V 60HZ
34 = 347V 60HZ
48 = 480V 60HZ
U = 120 thru 277V 50/60HZ

5 GLOBE & GUARD

GG = Globe and Guard
PG = Poly Globe and Guard
(42 Watt CF Max)
G = Globe only
R2 = Type II (Asymmetric)
Closed Bottom Glass Refractor
R3 = Type III (Asymmetric)
Closed Bottom Glass Refractor
R5 = Type V (Symmetric)
Closed Bottom Glass Refractor
R2G = Type II (Asymmetric)
Closed Bottom Glass Refractor with Guard
R3G = Type III (Asymmetric)
Closed Bottom Glass Refractor with Guard
R5G = Type V (Symmetric)
Closed Bottom Glass Refractor with Guard
T1 = Type I (Asymmetric)
Closed Bottom Threaded Glass Refractor
T3 = Type III (Asymmetric)
Closed Bottom Threaded Glass Refractor
T5 = Type V (Symmetric)
Closed Bottom Threaded Glass Refractor
T1G = Type I (Asymmetric) Closed Bottom Threaded Glass
Refractor with Guard
T3G = Type III (Asymmetric) Closed Bottom Threaded
Glass Refractor with Guard
T5G = Type V (Symmetric) Closed Bottom Threaded Glass
Refractor with Guard

6 MOUNTING STYLE

P = 3/4" Pendant Mount
P1 = 1" Pendant Mount
F = 3/4" Flexible Pendant Mount
F1 = 1" Flexible Pendant Mount
C = 3/4" Ceiling Mount
C1 = 1" Ceiling Mount
W = 3/4" Wall Mount
W1 = 1" Wall Mount
S = 1-1/4" 25° Stanchion Mount
S1 = 1-1/2" 25° Stanchion Mount
L = 1-1/4" 90° Stanchion Mount
L1 = 1-1/2" 90° Stanchion Mount
K = 3/4" Cone Top
K1 = 1" Cone Top

7 OPTIONS²

SS = Stainless Steel Inserts (304)
Q = Auxiliary Quartz Relay³
QTD = Auxiliary Quartz Relay
Hot & Cold Start
FB1 = Fuse Block^{4,5}
TB = Terminal Block
R = Instant Restrike (HPS Only)
PS = Pulse Start
EM = Emergency
(Fluorescent Only)

¹ HID fixtures for Mogul Base lamps only.

² Consult factory for pricing.

³ Quartz option available only with R2, R3 and R5 refractors and with vertical mount only. Option not available with globe and guard. Reflectors cannot be added.

⁴ Not available with multi-tap ballast unless incoming voltage is specified. When installed, one fuse block is provided for 120, 277V and two fuse blocks are provided for 208, 240 and 480V. Fuse not included.

⁵ Fuse option not available for marine listed fixtures.

SAF Series

Hazardous Locations • Class I, Division 2 • Class II • Class III • UL 1598, 1598A, 844 • Wet Locations • CSA Certified

Certification Guide

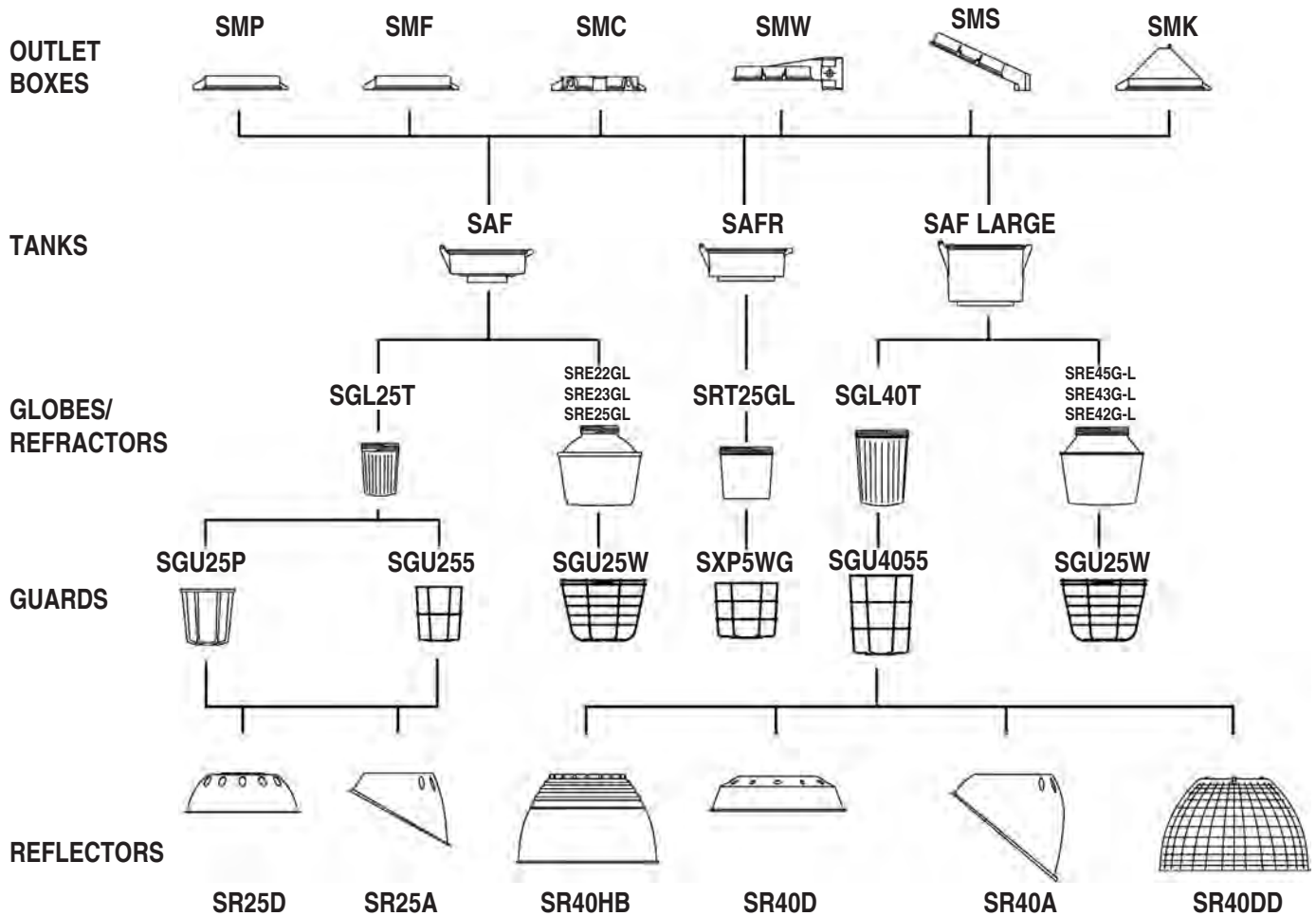
MODEL	AMBIENT ° C	CLASS I, DIV 2 GROUPS A,B,C,D			CLASS II & III			SIMULTANEOUS PRESENCE		UL 1598A OUTDOOR	CSA	SUPPLY WIRE SUITABLE TEMP °C
		GLOBE GUARD	GLOBE W/REFL	REFRACTOR	GROUPS	GLOBE GUARD	REFRACTOR	GLOBE GUARD	REFRACTOR			
SAF05S	40	T3	T3	T3B	E,F,G	T4A	T6	T2	T2B	YES	YES	90
SAF05S	55	T3	T3	-	-	-	-	-	-	YES	YES	90
SAF05S	65	T2D	T2D	T2D	-	-	-	-	-	YES	YES	110
SAF07S	40	T3	T3	T3B	E,F,G	T4A	T6	T3	T3C	YES	YES	90
SAF07S	55	T3	T3	-	-	-	-	-	-	YES	YES	90
SAF07S	65	T2D	T2D	T2D	-	-	-	-	-	YES	YES	110
SAF10S	40	T2D	T2D	T3	E,F,G	T3C	T6	T2B	T3	YES	YES	90
SAF10S	55	T2D	T2D	-	-	-	-	-	-	YES	YES	90
SAF10S	65	T2C	T2C	-	-	-	-	-	-	YES	YES	110
SAF15S	40	T2B	T2B	T2C	E,F **	T3	-	T2	T2B	YES	YES	90
SAF15S	40	T2B	T2B	T2C	E,F,G	-	T4A	-	-	YES	YES	90
SAF15S	55	T2B	T2B	-	-	-	-	-	-	YES	YES	90
SAF15S	65	T2A	T2A	-	-	-	-	-	-	YES	YES	110
SAF25S	40	T1 (350)	T1 (350)	T1(350)	E,F,G	T3C	T3C	T1 (350)	T1 (350)	YES	YES	105
SAF25S	55	T1 (350)	T1 (350)	-	-	-	-	-	-	YES	YES	110
SAF25S	65	T1	T1	-	-	-	-	-	-	YES	YES	125
SAF40S	40	T1	T1	T1	E,F,G	-	T3B	-	-	YES	YES	110
SAF10H	40	T2B	T2B	T2C	E,F,G	-	T4	-	-	YES	YES	125
SAF17H	40	T2	T2	T2	E,F,G	-	T4	-	T2	YES	YES	125
SAF17H	55	T2	T2	-	-	-	-	-	-	YES	YES	125
SAF25H	40	T1	T1	T2	E,F,G	-	T4	-	T2	YES	YES	110
SAF40H	40	T1	T1	T1	E,F,G	-	T3B	-	-	YES	YES	110
SAFR05S	40	-	-	T3	E,F,G	-	T4A	-	T3	YES	YES	90
SAFR05S	55	-	-	T3	-	-	-	-	-	YES	YES	90
SAFR07S	40	-	-	T3	E,F,G	-	T4A	-	T3	YES	YES	90
SAFR07S	55	-	-	T3	-	-	-	-	-	YES	YES	90
SAFR10S	40	-	-	T2D	E,F,G	-	T3C	-	T2B	YES	YES	90
SAFR10S	55	-	-	T2D	-	-	-	-	-	YES	YES	90
SAFR15S	40	-	-	T2B	E,F	-	T3	-	T2	YES	YES	90
SAFR15S	55	-	-	T2B	-	-	-	-	-	YES	YES	90
SAFR10H	40	-	-	T2B	-	-	-	-	-	YES	YES	105
SAFR10H	55	-	-	T2	-	-	-	-	-	YES	YES	125
SAFR17H	40	-	-	T2	-	-	-	-	-	YES	YES	105
SAFR17H	55	-	-	T2	-	-	-	-	-	YES	YES	125
SAF26F	40	T3	T3	T3B	E,F,G	T4A	T6	T3	T3C	YES	-	75
SAF32F	40	T2B	T2B	T2B	E,F,G	T4A	T4	-	-	YES	-	75
SAF42F	40	T2A	T2A	T2A	E,F,G	T4A	T4	-	-	YES	-	75
SAF52F	40	T2B	T2B	T2B	E,F,G	T4A	T4	-	-	YES	-	75
SAF64F	40	T2B	T2B	T2B	E,F,G	T4A	T4	-	-	YES	-	75
SAF84F	40	T2A	T2A	T2A	E,F,G	T4A	T4	-	-	YES	-	75

*GROUPS E & F ONLY FOR STANCHION MOUNT. GROUPS E, F, & G FOR ALL OTHER MOUNTS.

NOTE: ALL SAF SERIES FIXTURES WITH GLOBE AND GUARD RATED 175W MAXIMUM AT 40° C ARE ADDITIONALLY LISTED FOR CLASS I ZONE 2 Aex OR EX nR II AND ARE MARKED WITH THE OPERATING TEMPERATURE 160° C OR CODE T3

SAF Series

Hazardous Locations • Class I, Division 2 • Class II • Class III • UL 1598, 1598A, 844 • Wet Locations • CSA Certified






★Refer to Certification Guide on page 126 to determine suitability of individual fixture.

SAF Series

Hazardous Locations • Class I, Division 2 • Class II • Class III • UL 1598, 1598A, 844 • Wet Locations • CSA Certified

Fluorescent with Globe and Guard 26-84 Watts

(Lamps included)

Mounting Style	Lamp Watts	Conduit Size (in.)	Catalog Number Universal Voltage ^②	Shipping Weight (lbs.)	CONSISTS OF				
					Ballast Housing ^②	Outlet Box	Globe	Guard	
	26	3/4	SAF26-F-U-GG-P	17.6	SAF26FU	SMP	SGL25T	SGU25P	
	26	1	SAF26-F-U-GG-P1	17.6	SAF26FU	SMP1	SGL25T	SGU25P	
	32	3/4	SAF32-F-U-GG-P	17.6	SAF32FU	SMP	SGL25T	SGU25P	
	32	1	SAF32-F-U-GG-P1	17.6	SAF32FU	SMP1	SGL25T	SGU25P	
	42	3/4	SAF42-F-U-GG-P	17.6	SAF42FU	SMP	SGL25T	SGU25P	
	42	1	SAF42-F-U-GG-P1	17.6	SAF42FU	SMP1	SGL25T	SGU25P	
	52 ^①	3/4	SAF52-F-U-GG-P	17.8	SAF52FU	SMP	SGL25T	SGU25P	
	52 ^①	1	SAF52-F-U-GG-P1	17.8	SAF52FU	SMP1	SGL25T	SGU25P	
	64 ^①	3/4	SAF64-F-U-GG-P	17.8	SAF64FU	SMP	SGL25T	SGU25P	
	64 ^①	1	SAF64-F-U-GG-P1	17.8	SAF64FU	SMP1	SGL25T	SGU25P	
	84 ^①	3/4	SAF84-F-U-GG-P	17.8	SAF84FU	SMP	SGL25T	SGU25P	
	84 ^①	1	SAF84-F-U-GG-P1	17.8	SAF84FU	SMP1	SGL25T	SGU25P	
		26	3/4	SAF26-F-U-GG-F	17.6	SAF26FU	SMF	SGL25T	SGU25P
		26	1	SAF26-F-U-GG-F1	17.6	SAF26FU	SMF1	SGL25T	SGU25P
32		3/4	SAF32-F-U-GG-F	17.6	SAF32FU	SMF	SGL25T	SGU25P	
32		1	SAF32-F-U-GG-F1	17.6	SAF32FU	SMF1	SGL25T	SGU25P	
42		3/4	SAF42-F-U-GG-F	17.6	SAF42FU	SMF	SGL25T	SGU25P	
42		1	SAF42-F-U-GG-F1	17.6	SAF42FU	SMF1	SGL25T	SGU25P	
52 ^①		3/4	SAF52-F-U-GG-F	17.8	SAF52FU	SMF	SGL25T	SGU25P	
52 ^①		1	SAF52-F-U-GG-F1	17.8	SAF52FU	SMF1	SGL25T	SGU25P	
64 ^①		3/4	SAF64-F-U-GG-F	17.8	SAF64FU	SMF	SGL25T	SGU25P	
64 ^①		1	SAF64-F-U-GG-F1	17.8	SAF64FU	SMF1	SGL25T	SGU25P	
84 ^①		3/4	SAF84-F-U-GG-F	17.8	SAF84FU	SMF	SGL25T	SGU25P	
84 ^①		1	SAF84-F-U-GG-F1	17.8	SAF84FU	SMF1	SGL25T	SGU25P	
		26	3/4	SAF26-F-U-GG-C	18.0	SAF26FU	SMC	SGL25T	SGU25P
		26	1	SAF26-F-U-GG-C1	18.0	SAF26FU	SMC1	SGL25T	SGU25P
	32	3/4	SAF32-F-U-GG-C	18.0	SAF32FU	SMC	SGL25T	SGU25P	
	32	1	SAF32-F-U-GG-C1	18.0	SAF32FU	SMC1	SGL25T	SGU25P	
	42	3/4	SAF42-F-U-GG-C	18.0	SAF42FU	SMC	SGL25T	SGU25P	
	42	1	SAF42-F-U-GG-C1	18.0	SAF42FU	SMC1	SGL25T	SGU25P	
	52 ^①	3/4	SAF52-F-U-GG-C	18.2	SAF52FU	SMC	SGL25T	SGU25P	
	52 ^①	1	SAF52-F-U-GG-C1	18.2	SAF52FU	SMC1	SGL25T	SGU25P	
	64 ^①	3/4	SAF64-F-U-GG-C	18.2	SAF64FU	SMC	SGL25T	SGU25P	
	64 ^①	1	SAF64-F-U-GG-C1	18.2	SAF64FU	SMC1	SGL25T	SGU25P	
	84 ^①	3/4	SAF84-F-U-GG-C	18.2	SAF84FU	SMC	SGL25T	SGU25P	
	84 ^①	1	SAF84-F-U-GG-C1	18.2	SAF84FU	SMC1	SGL25T	SGU25P	

① 52 (2-26W Lamps); 64 (2-32W Lamps); 84 (2-42W Lamps)




② 120V thru 277V AC, 50/60HZ; 125V DC

SAF Series

Hazardous Locations • Class I, Division 2 • Class II • Class III • UL 1598, 1598A, 844 • Wet Locations • CSA Certified

Fluorescent with Globe and Guard 26-84 Watts (continued)

(Lamps included)

Mounting Style	Lamp Watts	Conduit Size (in.)	Catalog Number Universal Voltage ^②	Shipping Weight (lbs.)	CONSISTS OF				
					Ballast Housing ^②	Outlet Box	Globe	Guard	
WALL MOUNT 	26	3/4	SAF26-F-U-GG-W	20.7	SAF26FU	SMW	SGL25T	SGU25P	
	26	1	SAF26-F-U-GG-W1	20.7	SAF26FU	SMW1	SGL25T	SGU25P	
	32	3/4	SAF32-F-U-GG-W	20.7	SAF32FU	SMW	SGL25T	SGU25P	
	32	1	SAF32-F-U-GG-W1	20.7	SAF32FU	SMW1	SGL25T	SGU25P	
	42	3/4	SAF42-F-U-GG-W	20.7	SAF42FU	SMW	SGL25T	SGU25P	
	42	1	SAF42-F-U-GG-W1	20.7	SAF42FU	SMW1	SGL25T	SGU25P	
	52 ^①	3/4	SAF52-F-U-GG-W	20.9	SAF52FU	SMW	SGL25T	SGU25P	
	52 ^①	1	SAF52-F-U-GG-W1	20.9	SAF52FU	SMW1	SGL25T	SGU25P	
	64 ^①	3/4	SAF64-F-U-GG-W	20.9	SAF64FU	SMW	SGL25T	SGU25P	
	64 ^①	1	SAF64-F-U-GG-W1	20.9	SAF64FU	SMW1	SGL25T	SGU25P	
	84 ^①	3/4	SAF84-F-U-GG-W	20.9	SAF84FU	SMW	SGL25T	SGU25P	
	84 ^①	1	SAF84-F-U-GG-W1	20.9	SAF84FU	SMW1	SGL25T	SGU25P	
	25° STANCHION MOUNT 	26	11/4	SAF26-F-U-GG-S	18.6	SAF26FU	SMS	SGL25T	SGU25P
		26	11/2	SAF26-F-U-GG-S1	18.6	SAF26FU	SMS1	SGL25T	SGU25P
32		11/4	SAF32-F-U-GG-S	18.6	SAF32FU	SMS	SGL25T	SGU25P	
32		11/2	SAF32-F-U-GG-S1	18.6	SAF32FU	SMS1	SGL25T	SGU25P	
42		11/4	SAF42-F-U-GG-S	18.6	SAF42FU	SMS	SGL25T	SGU25P	
42		11/2	SAF42-F-U-GG-S1	18.6	SAF42FU	SMS1	SGL25T	SGU25P	
52 ^①		11/4	SAF52-F-U-GG-S	18.8	SAF52FU	SMS	SGL25T	SGU25P	
52 ^①		11/2	SAF52-F-U-GG-S1	18.8	SAF52FU	SMS1	SGL25T	SGU25P	
64 ^①		11/4	SAF64-F-U-GG-S	18.8	SAF64FU	SMS	SGL25T	SGU25P	
64 ^①		11/2	SAF64-F-U-GG-S1	18.8	SAF64FU	SMS1	SGL25T	SGU25P	
84 ^①		11/4	SAF84-F-U-GG-S	18.8	SAF84FU	SMS	SGL25T	SGU25P	
84 ^①		11/2	SAF84-F-U-GG-S1	18.8	SAF84FU	SMS1	SGL25T	SGU25P	
90° STANCHION MOUNT 	26	11/4	SAF26-F-U-GG-L	18.6	SAF26FU	SML	SGL25T	SGU25P	
	26	11/2	SAF26-F-U-GG-L1	18.6	SAF26FU	SML1	SGL25T	SGU25P	
	32	11/4	SAF32-F-U-GG-L	18.6	SAF32FU	SML	SGL25T	SGU25P	
	32	11/2	SAF32-F-U-GG-L1	18.6	SAF32FU	SML1	SGL25T	SGU25P	
	42	11/4	SAF42-F-U-GG-L	18.6	SAF42FU	SML	SGL25T	SGU25P	
	42	11/2	SAF42-F-U-GG-L1	18.6	SAF42FU	SML1	SGL25T	SGU25P	
	52 ^①	11/4	SAF52-F-U-GG-L	18.8	SAF52FU	SML	SGL25T	SGU25P	
	52 ^①	11/2	SAF52-F-U-GG-L1	18.8	SAF52FU	SML1	SGL25T	SGU25P	
	64 ^①	11/4	SAF64-F-U-GG-L	18.8	SAF64FU	SML	SGL25T	SGU25P	
	64 ^①	11/2	SAF64-F-U-GG-L1	18.8	SAF64FU	SML1	SGL25T	SGU25P	
	84 ^①	11/4	SAF84-F-U-GG-L	18.8	SAF84FU	SML	SGL25T	SGU25P	
	84 ^①	11/2	SAF84-F-U-GG-L1	18.8	SAF84FU	SML1	SGL25T	SGU25P	

① 52 (2-26W Lamps); 64 (2-32W Lamps); 84 (2-42W Lamps)




② 120V thru 277V AC, 50/60HZ; 125V DC

SAF Series

Hazardous Locations • Class I, Division 2 • Class II • Class III • UL 1598, 1598A, 844 • Wet Locations • CSA Certified

Fluorescent with Refractor and Guard 26-84 Watts

(Lamps included)

Mounting Style	Lamp Watts	Conduit Size (in.)	Catalog Number Universal Voltage ^②	Shipping Weight (lbs.)	CONSISTS OF			
					Ballast Housing ^②	Outlet Box	Refractor [☒]	Guard
RIGID PENDANT 	26	3/4	SAF26-F-U-R5G-P	17.6	SAF26FU	SMP	SRE25GL	SGU25W
	26	1	SAF26-F-U-R5G-P1	17.6	SAF26FU	SMP1	SRE25GL	SGU25W
	32	3/4	SAF32-F-U-R5G-P	17.6	SAF32FU	SMP	SRE25GL	SGU25W
	32	1	SAF32-F-U-R5G-P1	17.6	SAF32FU	SMP1	SRE25GL	SGU25W
	42	3/4	SAF42-F-U-R5G-P	17.6	SAF42FU	SMP	SRE25GL	SGU25W
	42	1	SAF42-F-U-R5G-P1	17.6	SAF42FU	SMP1	SRE25GL	SGU25W
	52 ^①	3/4	SAF52-F-U-R5G-P	17.8	SAF52FU	SMP	SRE25GL	SGU25W
	52 ^①	1	SAF52-F-U-R5G-P1	17.8	SAF52FU	SMP1	SRE25GL	SGU25W
	64 ^①	3/4	SAF64-F-U-R5G-P	17.8	SAF64FU	SMP	SRE25GL	SGU25W
	64 ^①	1	SAF64-F-U-R5G-P1	17.8	SAF64FU	SMP1	SRE25GL	SGU25W
	84 ^①	3/4	SAF84-F-U-R5G-P	17.8	SAF84FU	SMP	SRE25GL	SGU25W
	84 ^①	1	SAF84-F-U-R5G-P1	17.8	SAF84FU	SMP1	SRE25GL	SGU25W
FLEXIBLE PENDANT 	26	3/4	SAF26-F-U-R5G-F	17.6	SAF26FU	SMF	SRE25GL	SGU25W
	26	1	SAF26-F-U-R5G-F1	17.6	SAF26FU	SMF1	SRE25GL	SGU25W
	32	3/4	SAF32-F-U-R5G-F	17.6	SAF32FU	SMF	SRE25GL	SGU25W
	32	1	SAF32-F-U-R5G-F1	17.6	SAF32FU	SMF1	SRE25GL	SGU25W
	42	3/4	SAF42-F-U-R5G-F	17.6	SAF42FU	SMF	SRE25GL	SGU25W
	42	1	SAF42-F-U-R5G-F1	17.6	SAF42FU	SMF1	SRE25GL	SGU25W
	52 ^①	3/4	SAF52-F-U-R5G-F	17.8	SAF52FU	SMF	SRE25GL	SGU25W
	52 ^①	1	SAF52-F-U-R5G-F1	17.8	SAF52FU	SMF1	SRE25GL	SGU25W
	64 ^①	3/4	SAF64-F-U-R5G-F	17.8	SAF64FU	SMF	SRE25GL	SGU25W
	64 ^①	1	SAF64-F-U-R5G-F1	17.8	SAF64FU	SMF1	SRE25GL	SGU25W
	84 ^①	3/4	SAF84-F-U-R5G-F	17.8	SAF84FU	SMF	SRE25GL	SGU25W
	84 ^①	1	SAF84-F-U-R5G-F1	17.8	SAF84FU	SMF1	SRE25GL	SGU25W
CEILING MOUNT 	26	3/4	SAF26-F-U-R5G-C	18.0	SAF26FU	SMC	SRE25GL	SGU25W
	26	1	SAF26-F-U-R5G-C1	18.0	SAF26FU	SMC1	SRE25GL	SGU25W
	32	3/4	SAF32-F-U-R5G-C	18.0	SAF32FU	SMC	SRE25GL	SGU25W
	32	1	SAF32-F-U-E5G-C1	18.0	SAF32FU	SMC1	SRE25GL	SGU25W
	42	3/4	SAF42-F-U-R5G-C	18.0	SAF42FU	SMC	SRE25GL	SGU25W
	42	1	SAF42-F-U-R5G-C1	18.0	SAF42FU	SMC1	SRE25GL	SGU25W
	52 ^①	3/4	SAF52-F-U-R5G-C	18.2	SAF52FU	SMC	SRE25GL	SGU25W
	52 ^①	1	SAF52-F-U-R5G-C1	18.2	SAF52FU	SMC1	SRE25GL	SGU25W
	64 ^①	3/4	SAF64-F-U-R5G-C	18.2	SAF64FU	SMC	SRE25GL	SGU25W
	64 ^①	1	SAF64-F-U-R5G-C1	18.2	SAF64FU	SMC1	SRE25GL	SGU25W
	84 ^①	3/4	SAF84-F-U-R5G-C	18.2	SAF84FU	SMC	SRE25GL	SGU25W
	84 ^①	1	SAF84-F-U-R5G-C1	18.2	SAF84FU	SMC1	SRE25GL	SGU25W




① 52 (2-26W Lamps); 64 (2-32W Lamps); 84 (2-42W Lamps)

② 120V thru 277V AC, 50/60HZ; 125V DC

SAF Series

Hazardous Locations • Class I, Division 2 • Class II • Class III • UL 1598, 1598A, 844 • Wet Locations • CSA Certified

Fluorescent with Refractor and Guard 26-84 Watts (continued)

(Lamps included) Mounting Style	Lamp Watts	Conduit Size (in.)	Catalog Number Universal Voltage ^②	Shipping Weight (lbs.)	CONSISTS OF			
					Ballast Housing ^②	Outlet Box	Refractor [☒]	Guard
WALL MOUNT 	26	3/4	SAF26-F-U-GG-W	31.5	SAF26FU	SMW	SRE25GL	SGU25W
	26	1	SAF26-F-U-GG-W1	31.5	SAF26FU	SMW1	SRE25GL	SGU25W
	32	3/4	SAF32-F-U-GG-W	31.5	SAF32FU	SMW	SRE25GL	SGU25W
	32	1	SAF32-F-U-GG-W1	31.5	SAF32FU	SMW1	SRE25GL	SGU25W
	42	3/4	SAF42-F-U-GG-W	31.5	SAF42FU	SMW	SRE25GL	SGU25W
	42	1	SAF42-F-U-GG-W1	31.5	SAF42FU	SMW1	SRE25GL	SGU25W
	52 ^①	3/4	SAF52-F-U-GG-W	31.7	SAF52FU	SMW	SRE25GL	SGU25W
	52 ^①	1	SAF52-F-U-GG-W1	31.7	SAF52FU	SMW1	SRE25GL	SGU25W
	64 [☒]	3/4	SAF64-F-U-GG-W	31.7	SAF64FU	SMW	SRE25GL	SGU25W
	64 ^①	1	SAF64-F-U-GG-W1	31.7	SAF64FU	SMW1	SRE25GL	SGU25W
	84 ^①	3/4	SAF84-F-U-GG-W	31.7	SAF84FU	SMW	SRE25GL	SGU25W
	84 ^①	1	SAF84-F-U-GG-W1	31.7	SAF84FU	SMW1	SRE25GL	SGU25W
25° STANCHION MOUNT 	26	11/4	SAF26-F-U-GG-S	29.4	SAF26FU	SMS	SRE25GL	SGU25W
	26	11/2	SAF26-F-U-GG-S1	29.4	SAF26FU	SMS1	SRE25GL	SGU25W
	32	11/4	SAF32-F-U-GG-S	29.4	SAF32FU	SMS	SRE25GL	SGU25W
	32	11/2	SAF32-F-U-GG-S1	29.4	SAF32FU	SMS1	SRE25GL	SGU25W
	42	11/4	SAF42-F-U-GG-S	29.4	SAF42FU	SMS	SRE25GL	SGU25W
	42	11/2	SAF42-F-U-GG-S1	29.4	SAF42FU	SMS1	SRE25GL	SGU25W
	52 ^①	11/4	SAF52-F-U-GG-S	29.6	SAF52FU	SMS	SRE25GL	SGU25W
	52 ^①	11/2	SAF52-F-U-GG-S1	29.6	SAF52FU	SMS1	SRE25GL	SGU25W
	64 ^①	11/4	SAF64-F-U-GG-S	29.6	SAF64FU	SMS	SRE25GL	SGU25W
	64 ^①	11/2	SAF64-F-U-GG-S1	29.6	SAF64FU	SMS1	SRE25GL	SGU25W
	84 ^①	11/4	SAF84-F-U-GG-S	29.6	SAF84FU	SMS	SRE25GL	SGU25W
	84 ^①	11/2	SAF84-F-U-GG-S1	29.6	SAF84FU	SMS1	SRE25GL	SGU25W
90° STANCHION MOUNT 	26	11/4	SAF26-F-U-GG-L	29.4	SAF26FU	SML	SRE25GL	SGU25W
	26	11/2	SAF26-F-U-GG-L1	29.4	SAF26FU	SML1	SRE25GL	SGU25W
	32	11/4	SAF32-F-U-GG-L	29.4	SAF32FU	SML	SRE25GL	SGU25W
	32	11/2	SAF32-F-U-GG-L1	29.4	SAF32FU	SML1	SRE25GL	SGU25W
	42	11/4	SAF42-F-U-GG-L	29.4	SAF42FU	SML	SRE25GL	SGU25W
	42	11/2	SAF42-F-U-GG-L1	29.4	SAF42FU	SML1	SRE25GL	SGU25W
	52 ^①	11/4	SAF52-F-U-GG-L	29.6	SAF52FU	SML	SRE25GL	SGU25W
	52 ^①	11/2	SAF52-F-U-GG-L1	29.6	SAF52FU	SML1	SRE25GL	SGU25W
	64 ^①	11/4	SAF64-F-U-GG-L	29.6	SAF64FU	SML	SRE25GL	SGU25W
	64 ^①	11/2	SAF64-F-U-GG-L1	29.6	SAF64FU	SML1	SRE25GL	SGU25W
	84 ^①	11/4	SAF84-F-U-GG-L	29.6	SAF84FU	SML	SRE25GL	SGU25W
	84 ^①	11/2	SAF84-F-U-GG-L1	29.6	SAF84FU	SML1	SRE25GL	SGU25W

① 52 (2-26W Lamps); 64 (2-32W Lamps); 84 (2-42W Lamps)

② 120V thru 277V AC, 50/60HZ; 125V DC

SAF Series

Hazardous Locations • Class I, Division 2 • Class II • Class III • UL 1598, 1598A, 844 • Wet Locations • CSA Certified

Fluorescent with Threaded Refractor and Guard 26-84 Watts

(Lamps included)

Mounting Style	Lamp Watts	Conduit Size (in.)	Catalog Number Universal Voltage ^②	Shipping Weight (lbs.)	CONSISTS OF			
					Ballast Housing ^②	Outlet Box	Refractor [ⓧ]	Guard
RIGID PENDANT 	26	3/4	SAFR26-F-U-T5G-P	22.4	SAFR26FU	SMP	SRT25GL	SXP25WG
	26	1	SAFR26-F-U-T5G-P1	22.4	SAFR26FU	SMP1	SRT25GL	SXP25WG
	32	3/4	SAFR32-F-U-T5G-P	22.4	SAFR32FU	SMP	SRT25GL	SXP25WG
	32	1	SAFR32-F-U-T5G-P1	22.4	SAFR32FU	SMP1	SRT25GL	SXP25WG
	42	3/4	SAFR42-F-U-T5G-P	22.4	SAFR42FU	SMP	SRT25GL	SXP25WG
	42	1	SAFR42-F-U-T5G-P1	22.4	SAFR42FU	SMP1	SRT25GL	SXP25WG
	52 ^①	3/4	SAFR52-F-U-T5G-P	22.7	SAFR52FU	SMP	SRT25GL	SXP25WG
	52 ^①	1	SAFR52-F-U-T5G-P1	22.7	SAFR52FU	SMP1	SRT25GL	SXP25WG
	64 ^①	3/4	SAFR64-F-U-T5G-P	22.7	SAFR64FU	SMP	SRT25GL	SXP25WG
	64 ^①	1	SAFR64-F-U-T5G-P1	22.7	SAFR64FU	SMP1	SRT25GL	SXP25WG
	84 ^①	3/4	SAFR84-F-U-T5G-P	22.7	SAFR84FU	SMP	SRT25GL	SXP25WG
	84 ^①	1	SAFR84-F-U-T5G-P1	22.7	SAFR84FU	SMP1	SRT25GL	SXP25WG
FLEXIBLE PENDANT 	26	3/4	SAFR26-F-U-T5G-F	22.4	SAFR26FU	SMF	SRT25GL	SXP25WG
	26	1	SAFR26-F-U-T5G-F1	22.4	SAFR26FU	SMF1	SRT25GL	SXP25WG
	32	3/4	SAFR32-F-U-T5G-F	22.4	SAFR32FU	SMF	SRT25GL	SXP25WG
	32	1	SAFR32-F-U-T5G-F1	22.4	SAFR32FU	SMF1	SRT25GL	SXP25WG
	42	3/4	SAFR42-F-U-T5G-F	22.4	SAFR42FU	SMF	SRT25GL	SXP25WG
	42	1	SAFR42-F-U-T5G-F1	22.4	SAFR42FU	SMF1	SRT25GL	SXP25WG
	52 ^①	3/4	SAFR52-F-U-T5G-F	22.7	SAFR52FU	SMF	SRT25GL	SXP25WG
	52 ^①	1	SAFR52-F-U-T5G-F1	22.7	SAFR52FU	SMF1	SRT25GL	SXP25WG
	64 ^①	3/4	SAFR64-F-U-T5G-F	22.7	SAFR64FU	SMF	SRT25GL	SXP25WG
	64 ^①	1	SAFR64-F-U-T5G-F1	22.7	SAFR64FU	SMF1	SRT25GL	SXP25WG
	84 ^①	3/4	SAFR84-F-U-T5G-F	22.7	SAFR84FU	SMF	SRT25GL	SXP25WG
	84 ^①	1	SAFR84-F-U-T5G-F1	22.7	SAFR84FU	SMF1	SRT25GL	SXP25WG
CEILING MOUNT 	26	3/4	SAFR26-F-U-T5G-C	22.8	SAFR26FU	SMC	SRT25GL	SXP25WG
	26	1	SAFR26-F-U-T5G-C1	22.8	SAFR26FU	SMC1	SRT25GL	SXP25WG
	32	3/4	SAFR32-F-U-T5G-C	22.8	SAFR32FU	SMC	SRT25GL	SXP25WG
	32	1	SAFR32-F-U-T5G-C1	22.8	SAFR32FU	SMC1	SRT25GL	SXP25WG
	42	3/4	SAFR42-F-U-T5G-C	22.8	SAFR42FU	SMC	SRT25GL	SXP25WG
	42	1	SAFR42-F-U-T5G-C1	22.8	SAFR42FU	SMC1	SRT25GL	SXP25WG
	52 ^①	3/4	SAFR52-F-U-T5G-C	23.1	SAFR52FU	SMC	SRT25GL	SXP25WG
	52 ^①	1	SAFR52-F-U-T5G-C1	23.1	SAFR52FU	SMC1	SRT25GL	SXP25WG
	64 ^①	3/4	SAFR64-F-U-T5G-C	23.1	SAFR64FU	SMC	SRT25GL	SXP25WG
	64 ^①	1	SAFR64-F-U-T5G-C1	23.1	SAFR64FU	SMC1	SRT25GL	SXP25WG
	84 ^①	3/4	SAFR84-F-U-T5G-C	23.1	SAFR84FU	SMC	SRT25GL	SXP25WG
	84 ^①	1	SAFR84-F-U-T5G-C1	23.1	SAFR84FU	SMC1	SRT25GL	SXP25WG

① 52 (2-26W Lamps); 64 (2-32W Lamps); 84 (2-42W Lamps)

② 120V thru 277V AC, 50/60HZ; 125V DC




③ Catalog Nos. shown are for fixtures with IES Type V closed bottom glass refractors, for other type refractors, refer to Catalog Number Logic page 125.

SAF Series

Hazardous Locations • Class I, Division 2 • Class II • Class III • UL 1598, 1598A, 844 • Wet Locations • CSA Certified

Fluorescent with Threaded Refractor and Guard 26-84 Watts (continued)

(Lamps included)

Mounting Style	Lamp Watts	Conduit Size (in.)	Catalog Number Universal Voltage ^②	Shipping Weight (lbs.)	CONSISTS OF			
					Ballast Housing ^②	Outlet Box	Refractor [⊠]	Guard
WALL MOUNT 	26	3/4	SAF26-F-U-T5G-W	25.5	SAFR26FU	SMW	SRT25GL	SXP25WG
	26	1	SAF26-F-U-T5G-W1	25.5	SAFR26FU	SMW1	SRT25GL	SXP25WG
	32	3/4	SAF32-F-U-T5G-W	25.5	SAFR32FU	SMW	SRT25GL	SXP25WG
	32	1	SAF32-F-U-T5G-W1	25.5	SAFR32FU	SMW1	SRT25GL	SXP25WG
	42	3/4	SAF42-F-U-T5G-W	25.5	SAFR42FU	SMW	SRT25GL	SXP25WG
	42	1	SAF42-F-U-T5G-W1	25.5	SAFR42FU	SMW1	SRT25GL	SXP25WG
	52 [Ⓛ]	3/4	SAF52-F-U-T5G-W	25.8	SAFR52FU	SMW	SRT25GL	SXP25WG
	52 [Ⓛ]	1	SAF52-F-U-T5G-W1	25.8	SAFR52FU	SMW1	SRT25GL	SXP25WG
	64 [⊠]	3/4	SAF64-F-U-T5G-W	25.8	SAFR64FU	SMW	SRT25GL	SXP25WG
	64 [Ⓛ]	1	SAF64-F-U-T5G-W1	25.8	SAFR64FU	SMW1	SRT25GL	SXP25WG
	84 [Ⓛ]	3/4	SAF84-F-U-T5G-W	25.8	SAFR84FU	SMW	SRT25GL	SXP25WG
	84 [Ⓛ]	1	SAF84-F-U-T5G-W1	25.8	SAFR84FU	SMW1	SRT25GL	SXP25WG
25° STANCHION MOUNT 	26	1 1/4	SAF26-F-U-T5G-S	23.4	SAFR26FU	SMS	SRT25GL	SXP25WG
	26	1 1/2	SAF26-F-U-T5G-S1	23.4	SAFR26FU	SMS1	SRT25GL	SXP25WG
	32	1 1/4	SAF32-F-U-T5G-S	23.4	SAFR32FU	SMS	SRT25GL	SXP25WG
	32	1 1/2	SAF32-F-U-T5G-S1	23.4	SAFR32FU	SMS1	SRT25GL	SXP25WG
	42	1 1/4	SAF42-F-U-T5G-S	23.4	SAFR42FU	SMS	SRT25GL	SXP25WG
	42	1 1/2	SAF42-F-U-T5G-S1	23.4	SAFR42FU	SMS1	SRT25GL	SXP25WG
	52 [Ⓛ]	1 1/4	SAF52-F-U-T5G-S	23.7	SAFR52FU	SMS	SRT25GL	SXP25WG
	52 [Ⓛ]	1 1/2	SAF52-F-U-T5G-S1	23.7	SAFR52FU	SMS1	SRT25GL	SXP25WG
	64 [Ⓛ]	1 1/4	SAF64-F-U-T5G-S	23.7	SAFR64FU	SMS	SRT25GL	SXP25WG
	64 [Ⓛ]	1 1/2	SAF64-F-U-T5G-S1	23.7	SAFR64FU	SMS1	SRT25GL	SXP25WG
	84 [Ⓛ]	1 1/4	SAF84-F-U-T5G-S	23.7	SAFR84FU	SMS	SRT25GL	SXP25WG
	84 [Ⓛ]	1 1/2	SAF84-F-U-T5G-S1	23.7	SAFR84FU	SMS1	SRT25GL	SXP25WG
90° STANCHION MOUNT 	26	1 1/4	SAF26-F-U-T5G-L	23.4	SAFR26FU	SML	SRT25GL	SXP25WG
	26	1 1/2	SAF26-F-U-T5G-L1	23.4	SAFR26FU	SML1	SRT25GL	SXP25WG
	32	1 1/4	SAF32-F-U-T5G-L	23.4	SAFR32FU	SML	SRT25GL	SXP25WG
	32	1 1/2	SAF32-F-U-T5G-L1	23.4	SAFR32FU	SML1	SRT25GL	SXP25WG
	42	1 1/4	SAF42-F-U-T5G-L	23.4	SAFR42FU	SML	SRT25GL	SXP25WG
	42	1 1/2	SAF42-F-U-T5G-L1	23.4	SAFR42FU	SML1	SRT25GL	SXP25WG
	52 [Ⓛ]	1 1/4	SAF52-F-U-T5G-L	23.7	SAFR52FU	SML	SRT25GL	SXP25WG
	52 [Ⓛ]	1 1/2	SAF52-F-U-T5G-L1	23.7	SAFR52FU	SML1	SRT25GL	SXP25WG
	64 [Ⓛ]	1 1/4	SAF64-F-U-T5G-L	23.7	SAFR64FU	SML	SRT25GL	SXP25WG
	64 [Ⓛ]	1 1/2	SAF64-F-U-T5G-L1	23.7	SAFR64FU	SML1	SRT25GL	SXP25WG
	84 [Ⓛ]	1 1/4	SAF84-F-U-T5G-L	23.7	SAFR84FU	SML	SRT25GL	SXP25WG
	84 [Ⓛ]	1 1/2	SAF84-F-U-T5G-L1	2.7	SAFR84FU	SML1	SRT25GL	SXP25WG

Ⓛ 52 (2-26W Lamps); 64 (2-32W Lamps); 84 (2-42W Lamps)

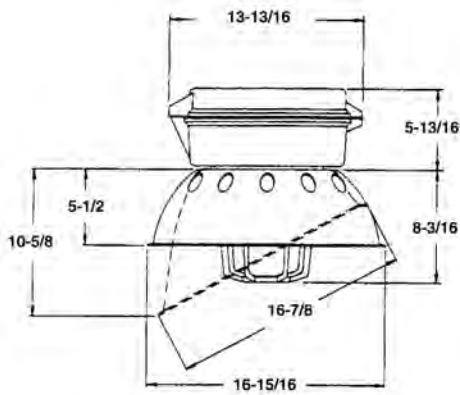
② 120V thru 277V AC, 50/60HZ; 125V DC

SAF Series

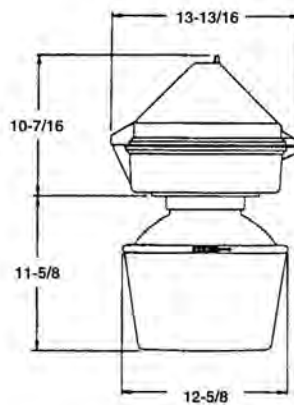
Hazardous Locations • Class I, Division 2 • Class II • Class III • UL 1598, 1598A, 844 • Wet Locations • CSA Certified

High Pressure Sodium 70, 100 and 150 Watt Metal Halide 175 Watt

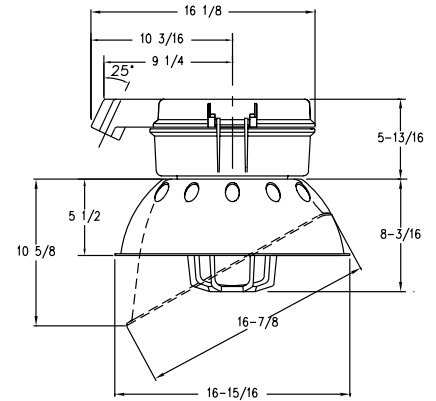
Fixture Dimensions (inches)



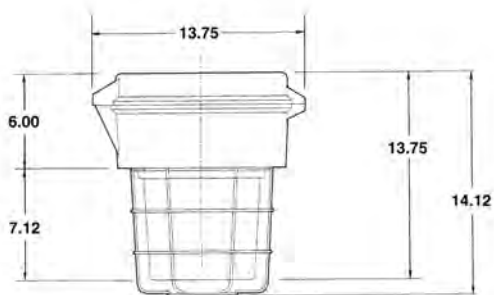
RIGID, FLEX PENDANT
with Globe, Guard and Reflector



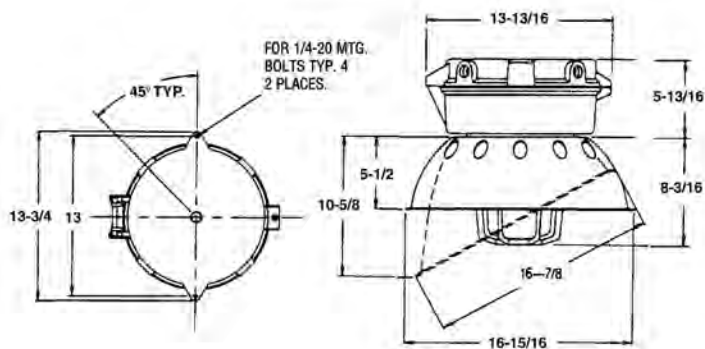
CONE MOUNT
with Refractor



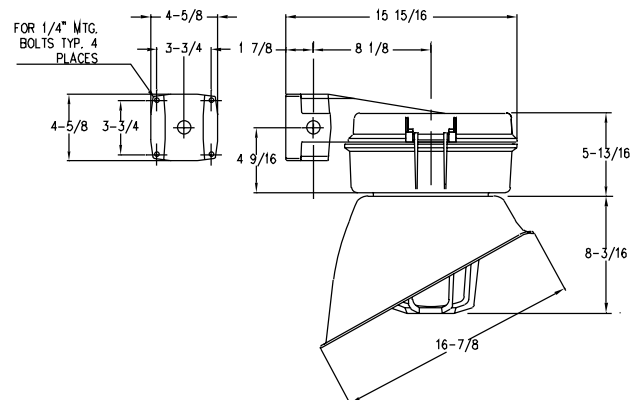
STANCHION MOUNT
with Globe, Guard and Reflector



PENDANT MOUNT
with Threaded Glass Refractor and Guard



CEILING MOUNT
with Globe, Guard and Reflector



WALL MOUNT
with Globe, Guard and Reflector

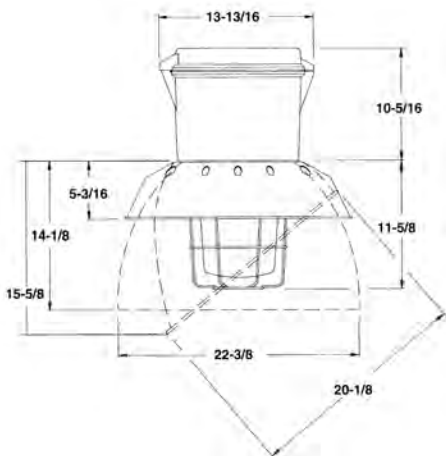
★ Refer to Certification Guide on page 126 to determine suitability of individual fixture.

SAF Series

Hazardous Locations • Class I, Division 2 • Class II • Class III • UL 1598, 1598A, 844 • Wet Locations • CSA Certified

High Pressure Sodium 250 and 400 Watt Metal Halide 250 and 400 Watt

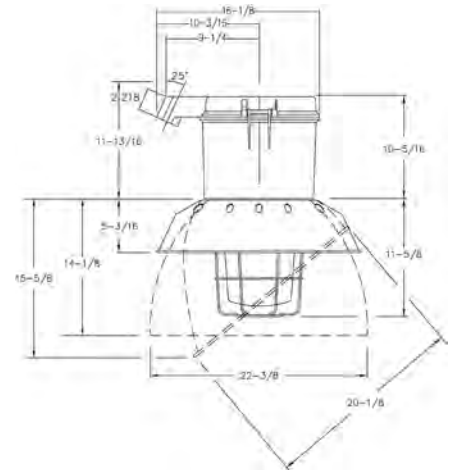
Fixture Dimensions (inches)



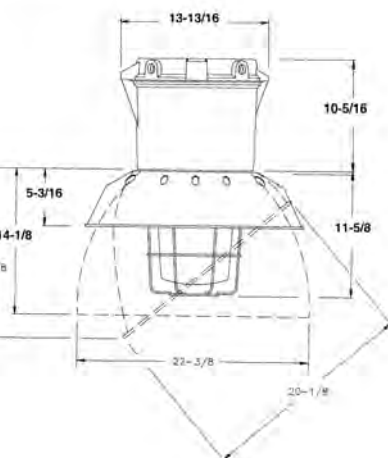
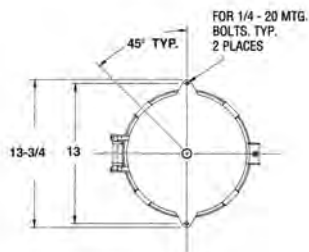
RIGID, FLEX PENDANT
with Globe, Guard and Reflector



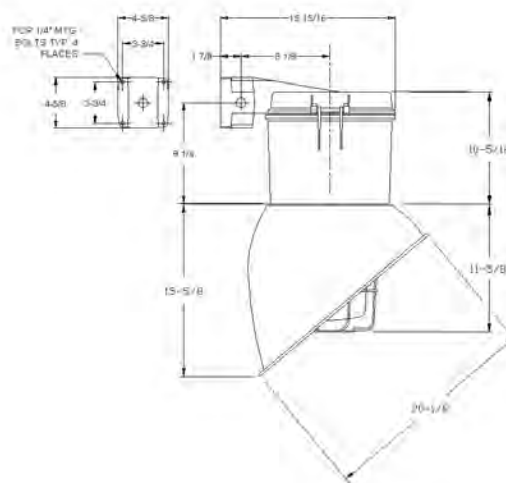
CONE MOUNT
with Refractor



STANCHION MOUNT
with Globe, Guard and Reflector



CEILING MOUNT
with Globe, Guard and Reflector










WALL MOUNT
with Globe, Guard and Reflector.

★ Refer to Certification Guide on page 126 to determine suitability of individual fixture.

SAF Series

Hazardous Locations • Class I, Division 2 • Class II • Class III • UL 1598, 1598A, 844 • Wet Locations • CSA Certified

Accessories

OUTLET BOXES	Catalog No.	Conduit Hub Size (In.)	Shipping Weight (Lbs.)
RIGID PENDANT 	SMP	3/4	3.3
	SMP1	1	3.3
FLEXIBLE PENDANT 	SMF	3/4	3.3
	SMF1	1	3.3
CEILING MOUNT 	SMC	3/4	4.1
	SMC1	3/4	4.1
CONE MOUNT 	SMK	3/4	14.5
	SMK1	1	14.5
WALL MOUNT 	SMW	3/4	7.8
	SMW1	1	7.8
STANCHION MOUNT (25°) 	SMS	3/4	5.9
	SMS1	1	5.9
STANCHION MOUNT (90°) 	SML	3/4	5.9
	SML1	1	5.9

REFLECTORS ^②	Catalog No.	Description	Shipping Weight (Lbs.)
	SR25D ^①	Standard Dome Reflector Fiberglass Reinforced Polyester for use with 5-1/2 in. dia. Globe	2.0
	SR40D ^①	Standard Dome Reflector Fiberglass Reinforced Polyester for use with 7-3/4 in. dia. Globe	3.0
	SR40DD ^①	Deep Dome Reflector Clear Prismatic Acrylic for use with 7-3/4 in. dia. Globe	7.0
	SR25A	30° Angle Reflector Fiberglass Reinforced Polyester for use with 5-1/2 in. dia. Globe	2.0
	SR40A	30° Angle Reflector Fiberglass Reinforced Polyester for use with 7-3/4 in. dia. Globe	4.5
	SR40HB [☒]	High Bay Aluminum Reflector with baked on white enamel for use with 7-3/4 in. dia. GlobeJ147	5.0






① Not suitable for wall wount applications.



★ Refer to Certification Guide on page 126 to determine suitability of individual fixture. ② Not suitable for wall mount applications, fixtures with quartz option or with R2, R3 or R5 refractor


SAF Series

Hazardous Locations • Class I, Division 2 • Class II • Class III • UL 1598, 1598A, 844 • Wet Locations • CSA Certified

Accessories

GUARDS	Catalog No.	Description	Shipping Weight (Lbs.)
	SGU25P	Fiberglass Reinforced Polycarbonate Guard for use with 5-1/2 in. dia. Globe	.33
	SGU25SS	Stainless Steel Guard for use with 5-1/2 in. dia. Globe	.20
	SGU40SS	Stainless Steel Guard for use with 7-3/4 in. dia. Globe	2.0
	SGU25W	Wire Guard for Glass Refractors (R Type Refractors)	2.0
	SXP25WG	Wire Guard For Threaded Globe Refractors (T Type Refractors)	1.50

GLASS GLOBE	Catalog No.	Description	Shipping Weight (Lbs.)
	SGL25T	Heat and Impact Resistant Prismatic Glass Globe 250 Watt Max. (5-1/2 in. dia.)	4.0
	SGL40T	Heat and Impact Resistant Prismatic Glass Globe 400 Watt Max. (7-3/4 in. dia.)	8.0


FUSE KIT	Catalog No.	Description	Shipping Weight (Lbs.)
	SBF600	Open fuse block kit- 600 volt AC maximum.	.06

★ Refer to Certification Guide on page 126 to determine suitability of individual fixture.


SAF Series

Hazardous Locations • Class I, Division 2 • Class II • Class III • UL 1598, 1598A, 844 • Wet Locations • CSA Certified

Accessories

PHOTO CELL KIT*	Catalog No.	Description	Shipping Weight (Lbs.)
	SPH25-120	Automatic on-off switch at predetermined light levels. 120 volt only. REQUIRES FIELD INSTALLATION.	.19

* Not Suitable for hazardous locations.

HAZARDOUS LOCATION PHOTO CELL KIT*	Catalog No.	Description	Shipping Weight (Lbs.)
	HLP-120	Automatic on-off switch at predetermined light levels. (120 volt only)	.25
	HLP-208-277	REQUIRES FIELD INSTALLATION.	.25

GLASS REFRACTORS	Catalog No.	Description	Shipping Weight (Lbs.)
	SRE22GL	IES Type II light distribution (asymmetrical)	11.0
	SRE23GL	IES Type III light distribution (asymmetrical)	
	SRE25GL	IES Type V light distribution (symmetrical)	
Closed Bottom Glass Refractor. 12 in. dia. for use with 5-1/2 in. Globe Thread.			
	SRE42GL	IES Type II light distribution (asymmetrical)	11.0
	SRE43GL	IES Type III light distribution (asymmetrical)	
	SRE45GL	IES Type V light distribution (symmetrical)	
Closed Bottom Glass Refractor. 12 in. dia. for use with 7-3/4 in. Globe Thread.			
	SRT21GL	IES Type I light distribution (asymmetrical)	6.6
	SRT23GL	IES Type III light distribution (asymmetrical)	6.6
	SRT25GL	IES Type V light distribution (symmetrical)	6.6
Closed Bottom Threaded Glass Refractor. For use with 7-3/4 in. Globe Thread.			

Fixtures ordered with refractors are not suitable to be ordered with reflectors.

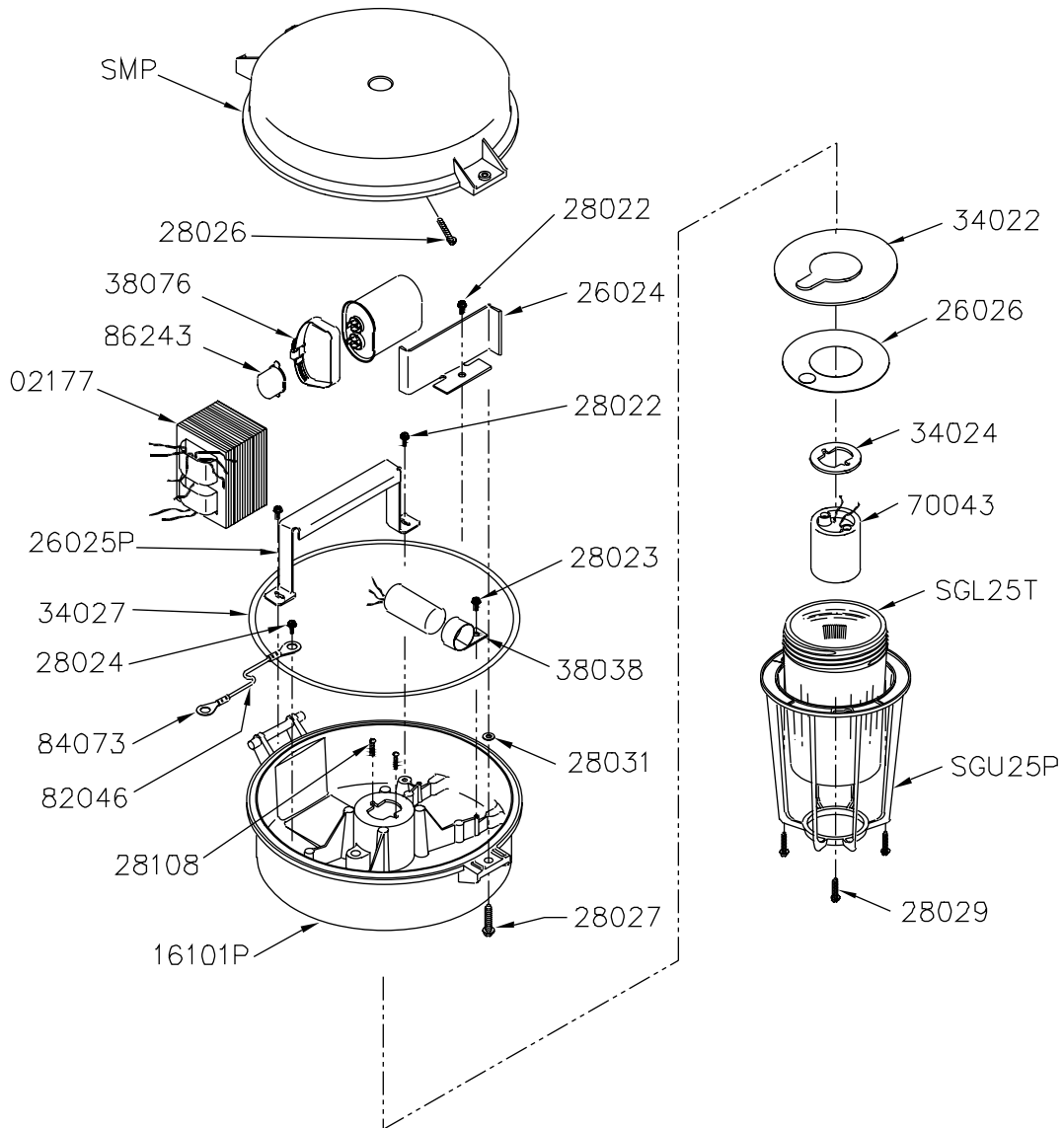
★ Refer to Certification Guide on page 126 to determine suitability of individual fixture.

SAF Series

Hazardous Locations • Class I, Division 2 • Class II • Class III • UL 1598, 1598A, 844 • Wet Locations • CSA Certified

Parts List

CATALOG NUMBER SAF15-S-04-GG-P



Note: 1. Above drawing and part numbers are for fixture catalog no. SAF15-S-04-GG-P
 2. Parts may vary for other models. Contact factory if parts for other models are required.
 3. Ballasts and lamps are listed on separate pages.

SAF Series

Hazardous Locations • Class I, Division 2 • Class II • Class III • UL 1598, 1598A, 844 • Wet Locations • CSA Certified

Parts List

Part No.	Description	Weight
02177	BLST & CAP HPS 150W MULTI-TAP	8.2
16101P	HSG BLST SAF 150/250W	5.1
26024	BRKT CAP HOLD DOWN SAF	0.2
26025P	BRKT BLST HOLDDOWN SAF	0.4
26026	REFLECTOR ALZAK SAF	0.1
28022	SCREW HEXWSHRSLT	0.1
28023	SCREW HEXWSHRSLT	0.1
28024	SCREW HEXWSHRSLT	0.1
28027	SCREW HEXWSHRSLT	0.1
28029	SCREW HEXWSHRSLT	0.1
28031	WASHER NYLON	0.1
28108	SCREW PAN	0.1
34022	GSKT SILICONE GLOBE 250	0.2
34024	GSKT SILICON LPHLDR SAF	0.1
34027	GSKT SILICONE O-RING	0.2
38038	CLAMP IGNITOR (FOR HPS PULSE START FIXTR ONLY)	0.1
38076	CLAMP GEAR SS	0.1
70043	LPHLDR PORCLN MOG 4KV	0.5
82046	WIRE ULCSA GRN 16AWG	0.1
84073	LUG RNG N/INS 16-14AWG	0.1
86243	BOOT CAPACITOR (FOR OIL FILLED CAPS)	0.2
SGL25T	GLOBE CLEAR SAF SERIES	4.0
SGU25P	GUARD SAF SERIES 250WATT	0.3
SMP	BOX OUTLET SAF PENDANT MOUNT	3.3