

Category: ECS
Energy Conservation Series

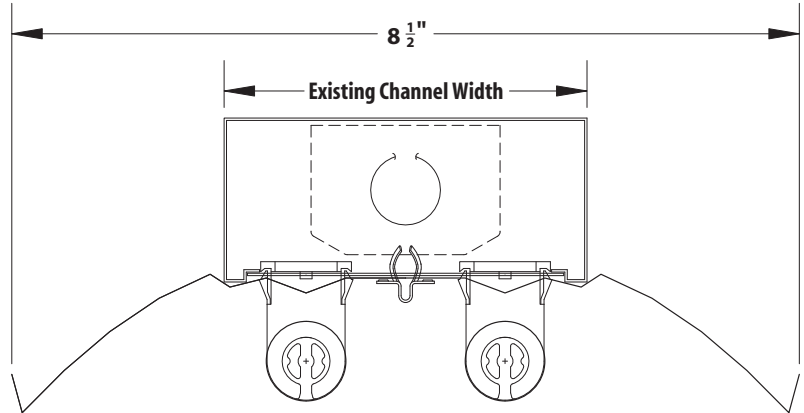
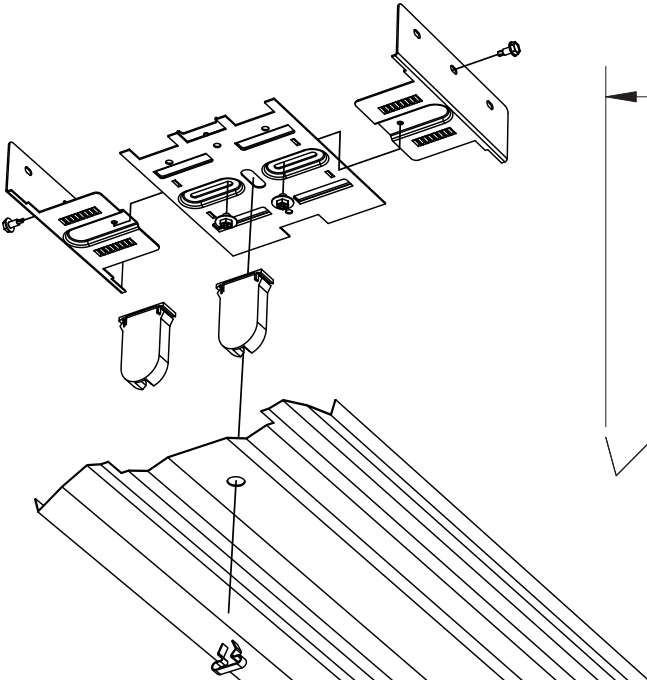
Prefix:
IRK

Retrofit Series (Name):
Industrial Retrofit Kit



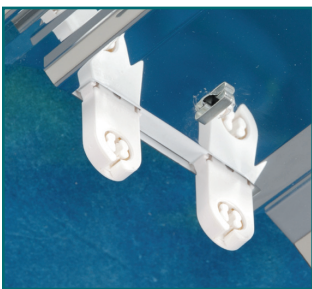
Innovative Lighting Ideas
Energy Efficient Solutions

2-Lamp T8 Industrial Retrofit Kit Shown

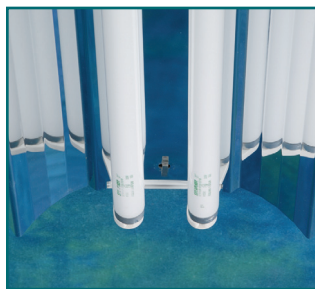


ORDERING GUIDE

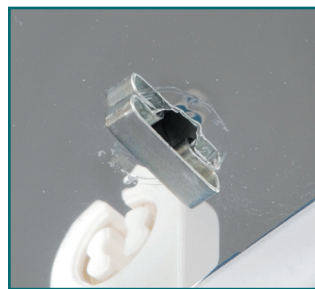
SERIES	SIZE	REFLECTOR MATERIAL	NUMBER OF LAMPS	LAMP TYPE	BRACKET TYPE	MAXIMUM BRACKET WIDTH	LAMPHOLDER TYPE	OPTIONS
IRK								
IRK - INDUSTRIAL RETROFIT KIT	14 - 48" 18 - 96"	M - MRO4 (95% TR) W - WHITE (91% TR)	1 - 1L 2 - 2L 3 - 3L 4 - 4L	4' KIT 8' KIT	UNV - Universal Fit		V - Vossloh	
<p>Photometric data, IES files and all other information is available upon request.</p> <p>*ADDITIONAL OPTIONS (See "Options" sheet for all available options)</p>								



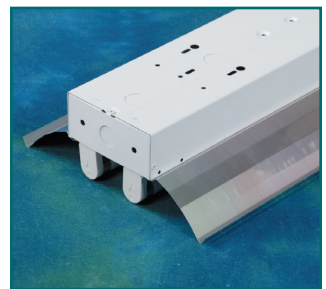
Vossloh Locking Lampholders (Standard)



Multi-Faceted Reflector (Designed for Maximum Efficiency)



Captive Quarter-Turn Fastener (Allows Toolless Access to Ballast Compartment)



Universal Brackets (Designed to Fit Most Channel Widths)

Note: RENOVA products are constantly being improved; therefore, the information shown is subject to change without notice. Always consult your lighting representative or RENOVA Lighting Systems, Inc. for the latest information.

RENOVA Lighting Systems, Inc. 20 Middlesex Road Mansfield, MA 02048 (800) 635-6682 www.renova.com