

Male Plug Assemblies

POLES	FACE VIEW MALE	WIRING CODE	AMP RTG. @ 600V	CABLE LENGTH	MALE	
					STRAIGHT	90 DEGREE
2		1-WHITE 2-BLACK	13A	3 FT	102B0030AP	102D0030AP
				6 FT	102B0060AP	102D0060AP
				12 FT	102B0120AP	102D0120AP
				20 FT	102B0200AP	102D0200AP
3		1-GREEN 2-BLACK 3-WHITE	13A	3 FT	103B0030AP	103D0030AP
				6 FT	103B0060AP	103D0060AP
				12 FT	103B0120AP	103D0120AP
				20 FT	103B0200AP	103D0200AP
4		1-BLACK 2-WHITE 3-RED 4-GREEN	10A	3 FT	104B0030AP	104D0030AP
				6 FT	104B0060AP	104D0060AP
				12 FT	104B0120AP	104D0120AP
				20 FT	104B0200AP	104D0200AP
5		1-WHITE 2-RED 3-GREEN 4-ORANGE 5-BLACK	8A	3 FT	105B0030AP	105D0030AP
				6 FT	105B0060AP	105D0060AP
				12 FT	105B0120AP	105D0120AP
				20 FT	105B0200AP	105D0200AP
6		1-WHITE 2-RED 3-GREEN 4-ORANGE 5-BLACK 6-BLUE	8A	3 FT	106AB0030AP	106AD0030AP
				6 FT	106AB0060AP	106AD0060AP
				12 FT	106AB0120AP	106AD0120AP
				20 FT	106AB0200AP	106AD0200AP

Female Plug Assemblies

POLES	FACE VIEW FEMALE	WIRING CODE	AMP RTG. @ 600V	CABLE LENGTH	FEMALE	
					STRAIGHT	90 DEGREE
2		1-WHITE 2-BLACK	13A	3 FT	102A0030AP	102C0030AP
				6 FT	102A0060AP	102C0060AP
				12 FT	102A0120AP	102C0120AP
				20 FT	102A0200AP	102C0200AP
3		1-GREEN 2-BLACK 3-WHITE	13A	3 FT	103A0030AP	103C0030AP
				6 FT	103A0060AP	103C0060AP
				12 FT	103A0120AP	103C0120AP
				20 FT	103A0200AP	103C0200AP
4		1-BLACK 2-WHITE 3-RED 4-GREEN	10A	3 FT	104A0030AP	104C0030AP
				6 FT	104A0060AP	104C0060AP
				12 FT	104A0120AP	104C0120AP
				20 FT	104A0200AP	104C0200AP
5		1-WHITE 2-RED 3-GREEN 4-ORANGE 5-BLACK	8A	3 FT	105A0030AP	105C0030AP
				6 FT	105A0060AP	105C0060AP
				12 FT	105A0120AP	105C0120AP
				20 FT	105A0200AP	105C0200AP
6		1-WHITE 2-RED 3-GREEN 4-ORANGE 5-BLACK 6-BLUE	8A	3 FT	106AA0030AP	106AC0030AP
				6 FT	106AA0060AP	106AC0060AP
				12 FT	106AA0120AP	106AC0120AP
				20 FT	106AA0200AP	106AC0200AP

Specifications

Materials:

Body:	PVC
Contact Carrier:	Nitrile Rubber
Contact Sleeve:	Stainless Steel
Contact:	Brass, Gold Plated over Nickel
Coupling Nut:	Machined Aluminum, Black Anodized
Cable:	#16 AWG Type STOW, 65 x #34 stranding 105° C
Cable Diameters:	2/C-.37", 3/C-.39", 4/C-.42", 5/C-.50", 6/C-.53"

Electrical:

Voltage Rating:	600 VAC
Contact Resistance:	≤5mΩ

Environmental:

Protection:	IP68, NEMA 6P
Operating Temp:	-20°C to 105°C

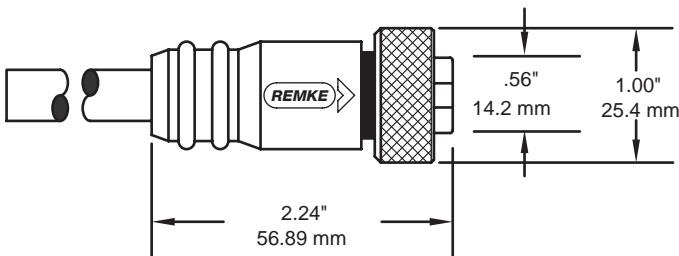
Certifications:



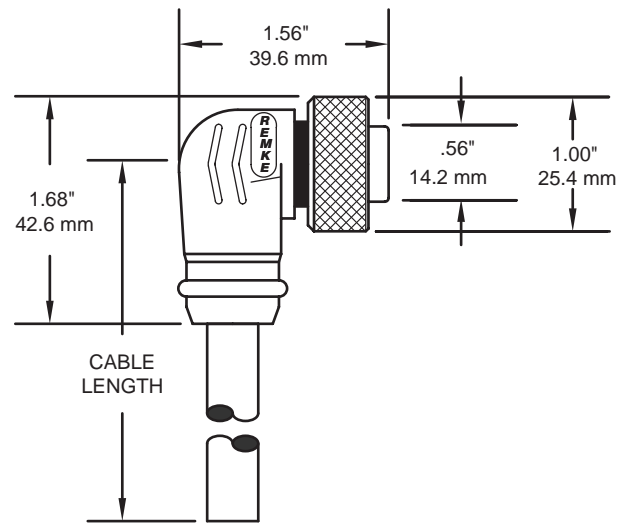
Recognized,
File No. E 165657
Certified,
File No. E 165657

Dimensions

Straight Plug



90° Plug



Options:

- #18 AWG (PVC) Plug Assemblies
- Stainless Steel Couplers
- Plastic Couplers