

# VX3A



Die cast aluminum wiring box with weatherproof gasket, ground screw, and two sturdy lugs for wall or ceiling mounting. Die cast aluminum cover with three 1/2" holes supplied with 2 stainless steel screws and one close-up plug.

Color: Bronze

Weight: 0.6 lbs

**Project:**

**Type:**

**Prepared By:**

**Date:**

### Lamp Info

Type: N/A  
 Watts: 0W  
 Shape/Size: Round  
 Base: N/A  
 ANSI: N/A  
 Hours: N/A  
 Lamp Lumens: N/A  
 Efficacy: N/A

### Ballast Info

Type: N/A  
 120V: N/A  
 208V: N/A  
 240V: N/A  
 277V: N/A  
 Input Watts: 0W

## Technical Specifications

### Listings

#### UL Listing:

Suitable for wet locations.

#### Other

#### Box Material:

Precision die cast aluminum.

#### Country of Origin:

Designed by RAB in New Jersey and assembled in the USA by RAB's IBEW Local 3 workers.

#### Buy American Act Compliant:

This product is a COTS item manufactured in the United States, and is compliant with the Buy American Act.

#### Recovery Act (ARRA) Compliant:

This product complies with the 52.225-21 "Required Use of American Iron, Steel, and Manufactured Goods-- Buy American Act-- Construction Materials (October 2010).

#### GSA Schedule:

Suitable in accordance with FAR Subpart 25.4.

#### Construction

##### Gasket:

1/8" thick closed cell EPDM Foam for long lasting seal that won't crumble or break.

##### Screws:

10-24 Stainless steel Round Head Phillips/slotted.

##### Gasket:

1/8" thick closed cell silicone rubber.

##### Ground Screw:

# 10-24 Green corrosion protected steel slotted washer head screw provided in pre-tapped hole

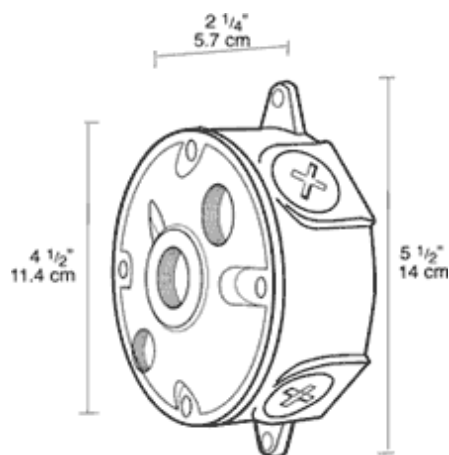
##### Box Diameter:

4".

##### Side Hole Thread Size:

1/2"

## Dimensions



## Features

- Stainless steel screws
- Green hex slotted washer head ground screw in pre-tapped hole
- Heavy die cast aluminum
- Close-up plugs allow Phillips or slotted screwdrivers for easy installation
- 1/8" thick weatherseal gasket is closed cell foam rubber for long lasting seal that won't crumble or break