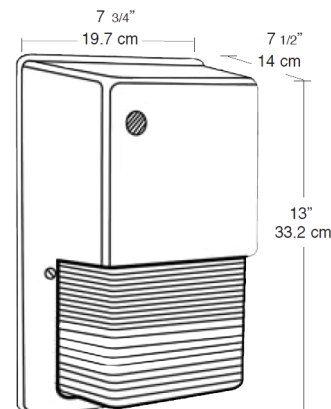


WPTGHN70/PC

Heavy duty die cast aluminum housing with prismatic glass refractor.
Heavy duty die cast aluminum housing with prismatic glass refractor.
HPS and Metal Halide models available with 1/2" bottom and back
conduit opening. Factory installed photocell optional. Lamp supplied.

Color: Bronze

Weight: 11.0 lbs



Lamp Info

Type: ED17
Watts: 70W
Shape/Size: N/A
Base: N/A
ANSI: N/A
Hours: 15,000
Lamp Lumens: 5,600
Efficacy: 60 LPW

Ballast Info

Type: HX-NPF 120V
120V: 2.5/2.1
208V: N/A
240V: N/A
277V: N/A
Input Watts: 94W
Efficiency: 74%

Technical Specifications

UL Listing:

Suitable for wet locations

Reflector:

Die formed aluminum for wide light distribution.
Moveable Glare Shield for field adjustable light control
slanted slightly downward for more light on the job

Ballast Housing:

Stamped steel painted white

Back Plate:

Heavy die cast aluminum. 1/2" bottom conduit knockout.
Knockouts for mounting to 3" or 4" junction boxes

Photocell:

Button Photocell 120V included. Photocell is only
compatible with 120V.

Housing:

Heavy duty cast aluminum housing

Refractor:

Heavy prismatic glass refractor

Patents:

The designs of RAB fixtures are protected under U.S.,
Canadian and international intellectual property laws.

EISA 2007 Compliant:

This product complies with the new law for metal halide
ballast efficiency. This law goes into effect January 1st,
2008. Pulse Start offers Longer Lamp Life, Faster
Startup and Faster Restrike.

Country of Origin:

Designed by RAB in New Jersey and assembled in the
USA by RAB's IBEW Local 3 workers.

Buy American Act Compliant:

This product is a COTS item manufactured in the United
States, and is compliant with the Buy American Act.

Recovery Act (ARRA) Compliant:

This product complies with the 52.225-21 "Required
Use of American Iron, Steel, and Manufactured Goods--
Buy American Act-- Construction Materials (October
2010)

Trade Agreements Act Compliant:

This product is a COTS item manufactured in the United
States, and is compliant with the Trade Agreements Act.

GSA Schedule:

Suitable in accordance with FAR Subpart 25.4

: