



LED Floodlights for solar applications or other 10-30 VDC systems. Perfect for off-grid, remote-area lighting. Up to 85% more efficient than line voltage AC solutions.

Color: Bronze

Weight: 3.5 lbs

<b>Project:</b>	<b>Type:</b>
<b>Prepared By:</b>	<b>Date:</b>

Driver Info		LED Info	
Type:	DC to DC	Watts:	13W
120V:	N/A	Color Temp:	5000K
208V:	N/A	Color Accuracy:	61 CRI
240V:	N/A	L70 Lifespan:	100000
277V:	N/A	Lumens:	724
Input Watts:	15W	Efficacy:	47 LPW
Efficiency:	85%		

## Technical Specifications

### LED Characteristics

#### Lifespan:

100,000-hour LED lifespan based on IES LM-80 results and TM-21 calculations.

#### LEDs:

Multi-chip 13 watt, high-output, long-life LEDs.

#### Color Consistency:

7-step MacAdam Ellipse binning to achieve consistent fixture-to-fixture color.

#### Color Stability:

LED color temperature is warrantied to shift no more than 200K in CCT over a 5 year period.

#### Color Accuracy:

61 CRI

#### Color Temperature:

5000K

#### Color Uniformity:

RAB's range of CCT (Correlated Color Temperature) follows the guidelines of the American National Standard for Specifications for the Chromaticity of Solid State Lighting (SSL) Products, ANSI C78.377-2015.

### Electrical

#### Electrical Input Specifications:

Max Watts = 15W. Input Volts = 10-30 VDC. Operating Amps = 1.5 - 0.5A.

### Construction

#### Cold Weather Starting:

The minimum starting temperature is -22° F (-30° C).

#### Housing:

Die-cast aluminum housing, hood and mounting arm.

#### Swivels:

Fully adjustable with sure-grip locks. 1/2" NPS threaded arm with serrated locking swivel fits all standard mounting covers. Color matched EZ Grip lock nuts. Stainless steel screw.

#### Mounting:

Heavy-duty arm with "O" ring seal and stainless steel screws.

#### Gaskets:

High-temperature silicone gaskets.

#### Finish:

Formulated for high-durability and long lasting color.

#### Green Technology:

Mercury and UV free. RoHS compliant components. Polyester powder coat finish formulated without the use of VOC or toxic heavy metals.

### Optical

#### Reflector:

Specular aluminum. NEMA 5x5 floodlight reflector with 4x4 optional spotlight reflector for field installation. Photometrics show flood configuration.

### Listings

#### IESNA LM-79 & LM-80 Testing:

RAB LED luminaires have been tested by an independent laboratory in accordance with IESNA LM-79 and LM-80, and have received the Department of Energy "Lighting Facts" label.

### Other

#### California Title 24:

LFLOOD complies with California Title 24 building and electrical codes.

#### Patents:

The design of the LFLOOD is protected by US patents pending in US., Canada, China, Taiwan & Mexico.

#### Warranty:

RAB warrants that our LED products will be free from defects in materials and workmanship for a period of five (5) years from the date of delivery to the end user, including coverage of light output, color stability, driver performance and fixture finish.

#### Country of Origin:

Designed by RAB in New Jersey and assembled in the USA by RAB's IBEW Local 3 workers.

#### Buy American Act Compliant:

This product is a COTS item manufactured in the United States, and is compliant with the Buy American Act.

#### Recovery Act (ARRA) Compliant:

This product complies with the 52.225-21 "Required Use of American Iron, Steel, and Manufactured Goods-- Buy American Act-- Construction Materials (October 2010).

#### GSA Schedule:

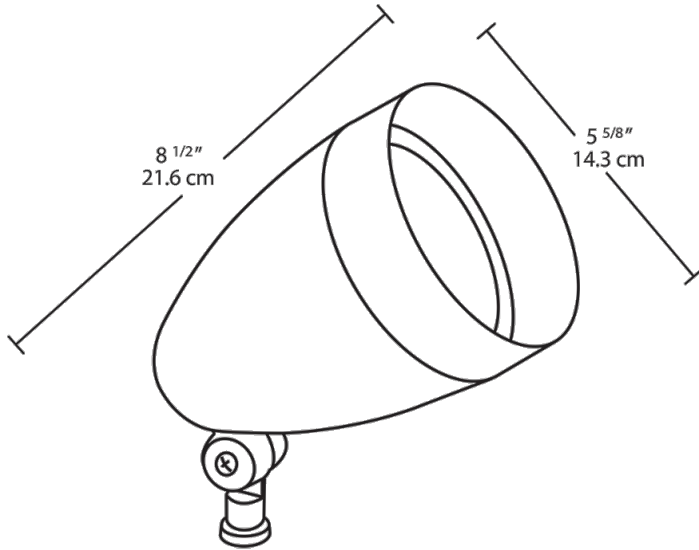
Suitable in accordance with FAR Subpart 25.4.

#### Equivalency:

Equivalent to 100W PAR Halogen.

# HBLED13DCA

## Dimensions



## Features

- Low voltage DC
- Ideal for solar applications
- Up to 85% more energy efficient
- No energy-loss from DC-AC inverter
- Enables off-grid, remote-area lighting
- 5-year warranty

## Ordering Matrix

Family	Watts	DC	Finish
HBLED	10 = 10W 13 = 13W	DC = DC	A = Bronze W = White B = Black VG = Verde Green