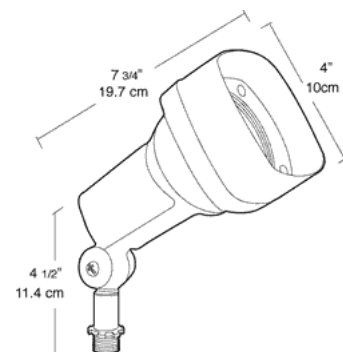


LF20A

Rugged die cast floodlight with heavy mounting arm, lens, glare shield and weatherproof silicone gasket. 75 watt max., accepts lamp types PAR16, PAR20 and R type. 120 volt Lamp not supplied.

Color: Bronze

Weight: 1.6 lbs



Lamp Info

Type: PAR20
 Watts: 75W
 Shape/Size: N/A
 Base: N/A
 ANSI: N/A
 Hours: 2,500
 Lamp Lumens: 550
 Efficacy: N/A

Ballast Info

Type: 0
 120V: N/A
 208V: 0
 240V: N/A
 277V: N/A
 Input Watts: 0W
 Efficiency: N/A

Technical Specifications

UL Listing:

Suitable for wet locations. Suitable for mounting within 1.2m (4ft) of the ground.

Swivels:

1/2" NPS threaded arm with serrated locking swivel fits all standard mounting boxes. EZ Grip locknuts color matched to fixture.

Housings:

Precision die cast aluminum

Watts:

75

Voltage:

120

Patents:

RAB sensor and fixture designs are protected under U.S. and International Intellectual Property laws

Sockets:

Medium base porcelain with all copper current carrying components and spring loaded center contact.