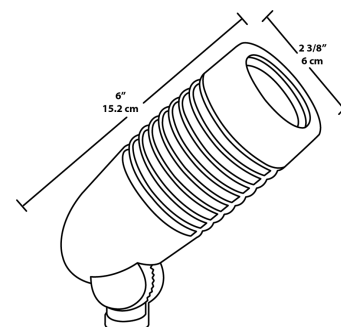


LFLED5YA

Compact 5 Watt LED floodlight perfectly suited for small-scale landscape lighting applications. 85% more energy efficient than its 35 Watt MR16 equivalent. Specialized microprismatic lens delivers even and consistent light. Utilizes line voltage (120V-240V).

Color: Bronze

Weight: 1.5 lbs



LED Info

Watts: 5W
 Color Temp: 3000K (Warm)
 Color Accuracy: 86
 L70 Lifespan: 100000
 LM79 Lumens: 208
 Efficacy: 41 LPW

Driver Info

Type: Constant Current
 120V: 0.1 A
 208V: 0.06 A
 240V: 0.05 A
 277V: N/A
 Input Watts: 5W
 Efficiency: 98%

Technical Specifications

UL Listing:

Suitable for wet locations. Suitable for mounting within 1.2m (4ft) of the ground.

Lumen Maintenance:

100,000 hours Life Based on LM-80 Tests.

Spot Lens:

Optional spot lens enables a tool-less conversion to a NEMA Type 3H x 3V. Great for accent lighting or grazing buildings for an artistic touch. Spot reflector kit available .

LED:

5 Watt high output, long-life LED.

Lens:

Microprismatic diffusion lens for smooth and even light distribution.

Driver:

Constant Current, Class 2, 100-240V, 50-60Hz, 100-240VAC 0.18A

Fixture Efficacy:

41 Lumens per Watt

NEMA Type:

4H x 4V

Cold Weather Starting:

Minimum starting temperature is -40°F/-40°C

Color Stability:

RAB LED performance exceeds industry standards for chromatic stability.

Color Accuracy:

86 CRI

Color Temperature (Nominal CCT):

3000K

Color Uniformity:

RAB's range of CCT (Correlated Color Temperature) follows the guidelines of the American National Standard for (SSL) Products, ANSI C78.377-2008.

Equivalency:

The LFLED5 is Equivalent in delivered lumens to a 35W MR16.

Thermal Management:

Superior heat sinking with external air flow fins.

Housing:

Precision die-cast aluminum housing, hood and mounting arm.

Gaskets:

High Temperature Silicone

Finish:

Chip and fade resistant polyester powder coat finish.

Warranty:

RAB LED products are warranted for color shift less than 200K shift, 3-step consistency, light output above 70%, driver performance and a blemish free finish, all over a 5 year period. See our full warranty

Green Technology:

Mercury and UV free, and RoHS compliant.

IESNA LM-79 & IESNA LM-80 Testing:

RAB LED luminaires have been tested by an independent laboratory in accordance with IESNA LM-79 and 80, and have received the Department of Energy "Lighting Facts" label.

LFLED5YA - continued

Patents:

The design of the LFLED is protected by Taiwan Patent 01510966 and pending patents in US, Canada, China, and Mexico.

