

MEGH250PSQ

MegaFlood with steel trunnion mount allows easy surface mounting for aiming flexibility. Adjustable aiming over 180 arc. Mounting can be locked securely in place. Lamp supplied.

Color: Bronze

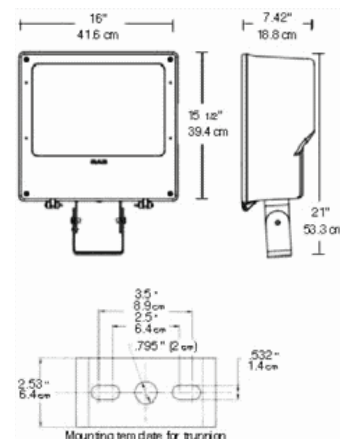
Weight: 30.7 lbs

Lamp Info

Type: ED28
Watts: 250W
Shape/Size: N/A
Base: N/A
ANSI: N/A
Hours: 15,000
Lamp Lumens: 25,000
Efficacy: N/A

Ballast Info

Type: CWA-HPF QT
120V: 1.4/2.5
208V: .8/1.5
240V: .7/1.3
277V: .6/1.1
Input Watts: N/A
Efficiency: N/A



Technical Specifications

UL Listing:

Suitable for wet locations. Suitable for mounting within 4' of the ground.

Housing:

One-piece die cast aluminum with die cast door frame held captive when opened

Reflector:

High quality anodized aluminum eliminates redirected energy to prolong lamp life. Contoured for maximum horizontal and vertical beam dispersion.

Finish:

Chip and fade resistant polyester powder coating

Lens:

Thermal, tempered shock resistant glass, 5/32" thick

Lens Gasket:

High temperature extruded silicone set in die cast retaining groove. Remains in place during relamping

Socket:

3 socket positions customize beam spread to the application (center position is standard). Porcelain socket pulse rated 4kv, 1500 watts and 600 volts, reinforced with cat's eyes for added durability. Silicone and fiberglass #14 gauge socket leads rated for 200 C. Plated screw shell designed to resist corrosion with spring loaded center contact

EPA:

2.1

Pulse Start:

Pulse Start metal halide for increased lamp life, lumen maintenance, color uniformity and efficiency

Patents:

The unique RAB MegaFlood is protected by U.S. Patents D565,772 and D570,024; China Patent ZL200730149208.0; Taiwan Patent D127,426 and Canada Patents D121,989 and D121,991

Country of Origin:

Designed by RAB in New Jersey and assembled in the USA by RAB's IBEW Local 3 workers.

Buy American Act Compliant:

This product is a COTS item manufactured in the United States, and is compliant with the Buy American Act.

Recovery Act (ARRA) Compliant:

This product complies with the 52.225-21 "Required Use of American Iron, Steel, and Manufactured Goods-- Buy American Act-- Construction Materials (October 2010)

Trade Agreements Act Compliant:

This product is a COTS item manufactured in the United States, and is compliant with the Trade Agreements Act.

GSA Schedule:

Suitable in accordance with FAR Subpart 25.4