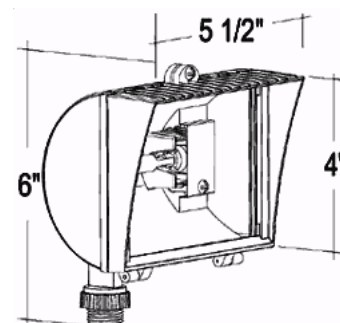


QF150F

The Mini Curve. High quality die cast flood with rounded back and integral glare shield. Tempered glass lens. Gold plated socket contacts and 250 deg. C Teflon coated wires for extended lamp life. 150 watt double ended 130 volt Quartz halogen lamp supplied.

Color: Bronze

Weight: 1.6 lbs



Lamp Info

Type: T3
 Watts: 150
 Shape/Size: N/A
 Base: N/A
 ANSI: N/A
 Hours: 2,000
 Lamp Lumens: 2,800
 Efficacy: N/A

Ballast Info

Type: 0
 120V: 0
 208V: 0
 240V: 0
 277V: 0
 Input Watts: N/A
 Efficiency: N/A

Technical Specifications

UL Listing:

Suitable for wet locations. Suitable for mounting within 4' of the ground

Housing:

Precision die cast aluminum housing, 1/2" NPS threaded arm with locking swivel fits all standard mounting boxes. Round back design with fins for heat dissipation to extend lamp life.

Lens Gasket:

High temperature silicone gasket stays in place during relamping

Reflector:

Semi-specular anodized aluminum

Sockets:

Porcelain RSC base sockets with gold plated, spring loaded contacts. Teflon coated wires to extend lamp life

Lens:

5 mm thick, tempered glass lens

Finish:

Durable polyester powder coat bronze or white finish

Lamp:

High quality 130 volt Quartz Halogen lamp for extended life. Accepts both 150 and 200 watt lamps

Replacement Lamp:

LQ150

Hardware:

Stainless steel external hardware

Patents:

The unique RAB Quartz Curve is protected by U.S. Patent D565,223; China Patent ZL200730149209.5; Taiwan Patent D124,862 and Canada Patent D121,992