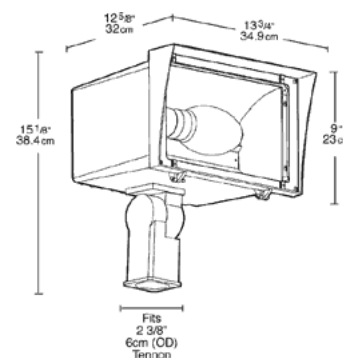


# FZH400SFPSQ

Floodzilla with integral slip fitter for O.D 2 3/8" tenon size. Slipfitter joint adjusts over 180 arc. Factory wired for 277V. Lamp supplied.

Color: Bronze

Weight: 29.9 lbs



## Lamp Info

Type: ED28  
 Watts: 400  
 Shape/Size: N/A  
 Base: N/A  
 ANSI: N/A  
 Hours: 15,000  
 Lamp Lumens: 40,000  
 Efficacy: N/A

## Ballast Info

Type: CWA-HPF QT  
 120V: 3.5/4.0  
 208V: 2.0/2.3  
 240V: 1.8/2.0  
 277V: 1.5/1.8  
 Input Watts: N/A  
 Efficiency: N/A

## Technical Specifications

### UL Listing:

Suitable for wet locations. Suitable for mounting within 4' of the ground.

### Housing:

Precision die cast aluminum

### Reflector:

High quality anodized aluminum

### Lens:

Tempered shock resistant glass

### Lens Gasket:

Molded one-piece silicone in die cast retaining groove to remain in place during relamping

### Socket:

Glazed porcelain 4kv pulse rated with nickel plated screw shell and spring contacts

### Finish:

Chip and fade resistant polyester powder coating

### EPA:

1.3

### Pulse Start:

Pulse Start metal halide for increased lamp life, lumen maintenance, color uniformity and efficiency

### Patents:

Pat. D547,478

### EISA 2007 Compliant:

This product complies with the new law for metal halide ballast efficiency. This law goes into effect January 1st, 2008. Pulse Start offers Longer Lamp Life, Faster Startup and Faster Restrike.

