

CHARLOTTE, NC

OFFICE: 704-375-0776 | FAX: 704-375-2419
 925 TUCKASEEGE RD. CHARLOTTE, NC
 28208

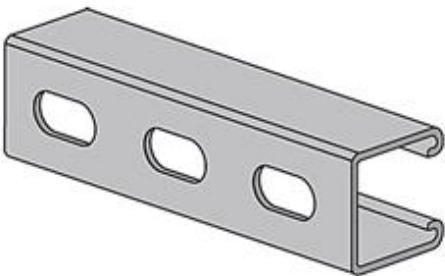
NORFOLK, VA

OFFICE: 757-627-6800 | FAX: 757-627-5719
 1416 BALLENTINE BLVD. NORFOLK, VA
 23504

**POWER-UTILITY
 PRODUCTS CO.**

[Home \(default.aspx\)](#) [Channel \(/c-1-channel.aspx\)](#) [AS - 132 \[1-5/8 x 1-5/8 x 12ga\] \(/c-10-as-132-1-58-x-1-58-x-12ga.aspx\)](#) [AS - 132 - OS](#)

AS - 132 - OS

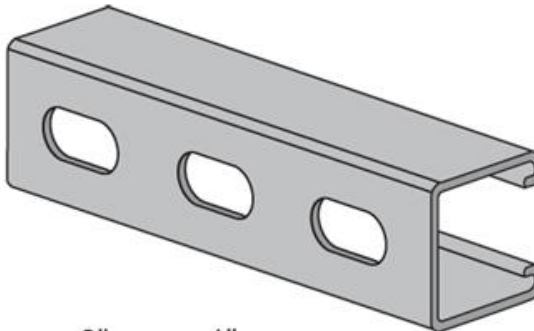


Call to order - 704-375-0776

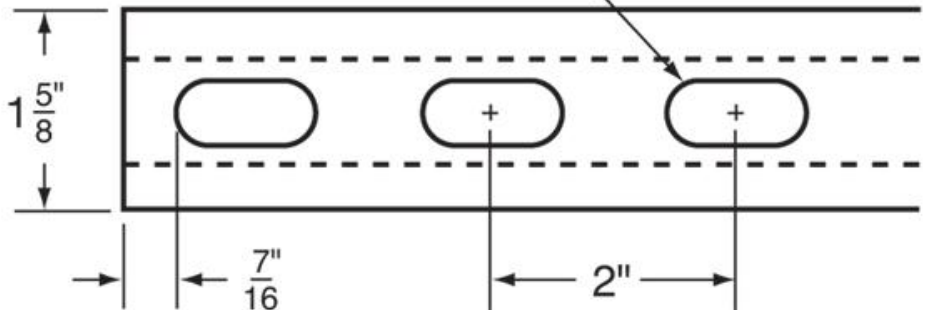
Notes: Stock in pre-galvanized, plain, powder coated Super-Green, zinc trivalent, PVC coated and aluminum, in 10 & 20 ft lengths. Also available in Stainless Steel 304 & 316 alloys. Other materials, finishes and lengths are available upon request.

[View Larger Image](#)

[Contact Us About This Product > \(product\)](#)



$\frac{9}{16}$ " x $1\frac{1}{8}$ " Dia. Holes



(<http://www.cccommunications.com>)