

F7 F8 M9 Conduit Bodies

Catalog Number: PRHX448
UPC: 784011204427

Description

1-1/4 Inch Form 8 X Conduit Body

PVC coated Form 8 conduit bodies with covers are offered in numerous configurations to provide a complete coated conduit system. Electrical continuity of the conduit system is maintained across assembled joints.

Application

- Offered in numerous configurations for 90 degree bends, taps or splices or mounting outlets
- Offered in numerous configurations for 90 degree bends, taps or splices or mounting outlets

Features

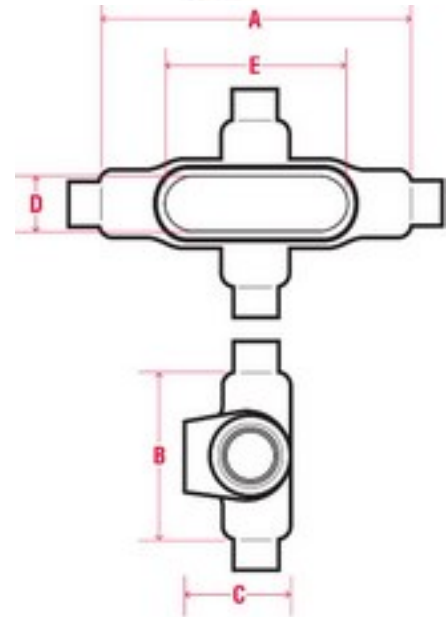
- 40 mil gray PVC exterior coating
- 2 mil red urethane interior coating
- 10 trade sizes from 1/2" through 4"
- Sealing sleeves on all conduit openings
- Plastic encapsulated stainless steel screws with retainers built into covers for trade sizes 1/2" through 2"
- V-Seal gasket on sizes 1/2" through 2"

General

| | |
|--------------------------------------|---|
| Material: | FERROUS METAL |
| Exterior Finish: | A nominal .040 inch (40 mil) gray PVC coating |
| Interior Finish: | A nominal .002 inch (2 mil) red urethane |
| Body Style: | X |
| Screw Type: screws with retainers | Plastic encapsulated stainless steel cover |
| Cover Seal: | V-Seal gasket |

Dimensions

| | |
|-------------------------|------|
| Dimension A (Inches) | 8.5 |
| Dimension B (Inches) | 4.13 |
| Dimension C (Inches) | 2.67 |
| Dimension D (Inches) | 1.75 |
| Dimension E (Inches) | 5.31 |
| Nominal Weight (Pounds) | 5.2 |





F7 F8 M9 Conduit Bodies

Catalog Number: PRHX448
UPC: 784011204427

Technical / Specification Documents

| | |
|-----------------------------------|----------------------|
| Specification Guide (1995 Master) | AVAILABLE ON WEBSITE |
| Specification Guide (2004 Master) | AVAILABLE ON WEBSITE |
| Installer Certification and Tools | AVAILABLE ON WEBSITE |
| Chemical Resistance Charts | AVAILABLE ON WEBSITE |
| Performance Specifications | AVAILABLE ON WEBSITE |

Standards

| | |
|----------------|--------------|
| UL 514A, 514D: | E231035 |
| CSA Certified: | C22.2 No.18 |
| CSA Certified: | C22.2 No. 42 |

Notes

All cover screws are stainless steel

