

Pulling Elbows

Catalog Number: PRLBD7700
UPC: 784011205097

Description

2-1/2 Inch LBD Pulling Elbow

PVC coated LBD conduit bodies are used at 90° bends in conduit runs to allow straight pulls at bends, to serve as pull outlets for stiff conductors, to allow for service entrance into buildings, or to allow conductor entrance into motors. Electrical continuity of the conduit system is maintained across assembled joints.

Application

- Used at 90 degree bends in conduit runs to allow straight pulls at bends, to serve as pull outlets for stiff conductors, to allow for service entrance into buildings, or to allow conductor entrance into motors

Features

- 40 mil gray PVC exterior coating
- 2 mil red urethane interior coating
- 10 trade sizes from 1/2" through 4"
- Sealing sleeves on all conduit openings
- Molded-in seal between body and cover
- Domed covers allow gentle bends of conductors
- Shipped with covers
- Angled covers allow straight pulling in either direction

General

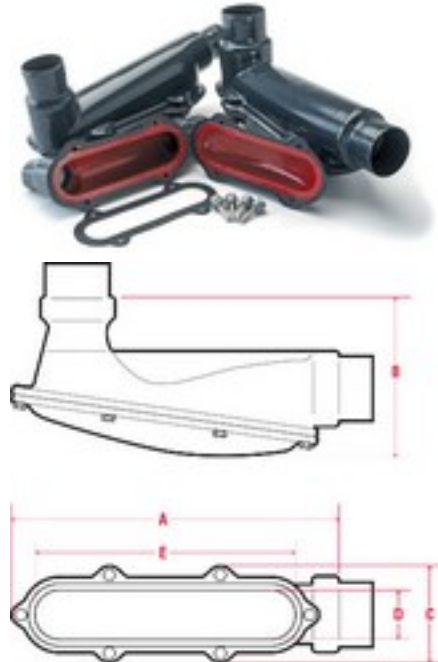
Material:	FERROUS METAL
Exterior Finish:	A nominal .040 inch (40 mil) gray PVC coating
Interior Finish:	A nominal .002 inch (2 mil) red urethane

Dimensions

Dimension A (Inches)	19.69
Dimension B (Inches)	9.6
Dimension C (Inches)	5.71
Dimension D (Inches)	3
Dimension E (Inches)	15.75
Nominal Weight (Pounds)	22

Technical / Specification Documents

Specification Guide (1995 Master)	AVAILABLE ON WEBSITE
Specification Guide (2004 Master)	AVAILABLE ON WEBSITE
Installer Certification and Tools	AVAILABLE ON WEBSITE
Chemical Resistance Charts	AVAILABLE ON WEBSITE
Performance Specifications	AVAILABLE ON WEBSITE





Pulling Elbows

Catalog Number: PRLBD7700
UPC: 784011205097

Standards

UL 514B : E200413
