



ELLIOTT ELECTRIC SUPPLY

We Deliver...Lower Cost, Quality Products, & Personal Service

3804 South Street
Nacogdoches, TX 75964-7263
Phone: 936-569-7941
Fax: 936-560-4685

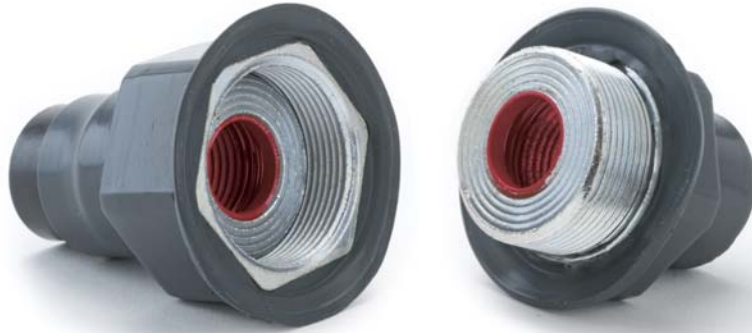


PBUNY205SAL Redhot 3/4" Aluminum Male Union

Robroy/Plasti-Bond

| | |
|---------------------------|---|
| Catalog Number | PBUNY205SAL |
| Manufacturer | Robroy/Plasti-Bond |
| Description | Union, Male/Female; 40 Mil Gray PVC Exterior, 2 Mil Red Urethane Interior Coated Aluminum; Trade Size 3/4 Inch; Diameter 1.89 I |
| Weight per unit | N/A |
| Product Category | Aluminum |
| Additional Information | APPLICABLE STANDARD NEC/CEC |
| Approval | UL 886, CSA C22.2 |
| Brand | PLASTI-BOND |
| Commodity Description | Rigid Conduit Fittings - Aluminum |
| Diameter | 1.89 INCH |
| Documents | Yes |
| Length | 3.69 INCH |
| Long Description | MALE/FEMALE; 40 MIL GRAY PVC EXTERIOR, 2 MIL RED URETHANE INTERIOR COATED ALUMINUM; TRADE SIZE 3/4 INCH; DIAMETER 1.89 INCH; LE |
| Manufacturers Part Number | PRUNY205SA |
| Material | 40 MIL GRAY PVC EXTERIOR, 2 MIL RED URETHANE INTERIOR COATED ALUMINUM |
| Model | UNY |
| Picture | Yes |
| Product Type | Union |
| Trade Size | 3/4 INCH |
| Trade Size in inch | .75 |
| Type | MALE/FEMALE |

Conduit Unions



Conduit Unions

Description:

Plasti-Bond REDH₂OT UNF unions are used to connect conduit to conduit or to allow for future changes to the conduit system. Female threads are provided at each end. Plasti-Bond REDH₂OT UNY unions are used to connect conduit to a conduit fitting, junction box, or device enclosure. One end is a male thread and the other is female.

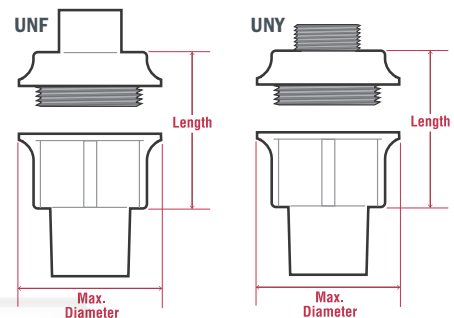
Features:

- 40 mil gray PVC exterior coating
- 2 mil red urethane interior coating
- 13 trade sizes from 1/2" through 6"
- Sealing sleeves on all conduit openings
- Molded PVC gasket seals fitting

Standards:

- NEC/CEC:
- UNF/UNY 1/2" through 1"
 - Class I, Division 1 & 2, Groups A, B, C, D
 - Class II, Division 1, Groups E, F, G
 - Class II, Division 2, Groups F, G
 - Class III
- UNF/UNY 905, 1005
 - Class I, Division 1 & 2, Groups B, C, D
 - Class II, Division 1, Groups E, F, G
 - Class II, Division 2, Groups F, G
 - Class III
- UNF, UNY - all sizes
 - Class I, Division 1 & 2, Groups C, D
 - Class II, Division 1, Groups E, F, G
 - Class II, Division 2, Groups F, G
 - Class III

Conduit Union Technical Data



UNF

| PIPE SIZE | FERROUS CATALOG # | NOMINAL WEIGHT | LENGTH | MAX DIA. | ALUMINUM CATALOG # |
|-------------|-------------------|----------------|--------|----------|--------------------|
| 1/2" | PRUNF105 | 0.3 | 1.81 | 2.00 | PRUNF105SA |
| 3/4" | PRUNF205 | 0.5 | 1.75 | 2.25 | PRUNF205SA |
| 3/4" - 1/2" | PRUNF215 | 0.6 | 1.75 | 2.25 | - |
| 1" | PRUNF305 | 0.7 | 2.00 | 2.75 | PRUNF305SA |
| 1-1/4" | PRUNF405 | 1.5 | 2.25 | 3.00 | PRUNF405SA |
| 1-1/2" | PRUNF505 | 2.3 | 2.63 | 3.50 | PRUNF505SA |
| 2" | PRUNF605 | 3.6 | 2.56 | 4.50 | PRUNF605SA |
| 2-1/2" | PRUNF705 | 5.0 | 3.19 | 4.75 | PRUNF705SA |
| 3" | PRUNF805 | 6.5 | 3.44 | 5.50 | PRUNF805SA |
| 3-1/2" | PRUNF905 | 8.2 | 4.13 | 6.50 | PRUNF905SA |
| 4" | PRUNF1005 | 10.0 | 4.13 | 7.00 | PRUNF1005SA |
| 5" | PRUNF012 | 12.5 | 3.81 | 9.00 | - |
| 6" | PRUNF014 | 14.8 | 3.81 | 10.25 | - |

UNY

| PIPE SIZE | FERROUS CATALOG # | NOMINAL WEIGHT | LENGTH | MAX DIA. | ALUMINUM CATALOG # |
|-------------|-------------------|----------------|--------|----------|--------------------|
| 1/2" | PRUNY105 | 0.4 | 2.38 | 2.00 | PRUNY105SA |
| 3/4" | PRUNY205 | 0.7 | 2.44 | 2.25 | PRUNY205SA |
| 3/4" - 1/2" | PRUNY215 | 0.8 | 2.44 | 2.25 | - |
| 1" | PRUNY305 | 1.3 | 2.75 | 2.75 | PRUNY305SA |
| 1-1/4" | PRUNY405 | 2.6 | 3.19 | 3.00 | PRUNY405SA |
| 1-1/2" | PRUNY505 | 3.9 | 3.56 | 3.50 | PRUNY505SA |
| 2" | PRUNY605 | 4.2 | 3.75 | 4.50 | PRUNY605SA |
| 2-1/2" | PRUNY705 | 5.5 | 4.63 | 4.75 | PRUNY705SA |
| 3" | PRUNY805 | 7.5 | 5.00 | 5.50 | PRUNY805SA |
| 3-1/2" | PRUNY905 | 8.4 | 5.50 | 6.50 | PRUNY905SA |
| 4" | PRUNY1005 | 10.5 | 5.63 | 7.00 | PRUNY1005SA |
| 5" | PRUNY012 | 12.0 | 5.25 | 9.00 | - |
| 6" | PRUNY014 | 14.9 | 5.38 | 10.25 | - |



Contact us:
customerservice@plastibond.com



Visit www.plastibond.com
 For more information