

PLASTI-BOND REDH₂O^T CONDUIT BODIES

CONDUIT BODIES AND COVERS FOR GENERAL SERVICE LOCATIONS



PRHLB28



PRHLR28

Conduit Bodies Specifications

PLASTI-BOND REDH₂O^T conduit bodies with covers are offered in Form 8 and Form 7 styles, each with numerous configurations to provide a complete coated conduit system. May be used to make 90° bends, for pull outlets, to provide for taps or splices, to act as a mounting outlet for wiring devices or lighting fixtures etc.. Form 8 style fittings 1/2" – 2" have an integral V-Seal gasket for superior corrosion protection. Electrical continuity of the conduit system is maintained across assembled joints.

- 40 mil gray PVC exterior coating
- 2 mil red urethane internal coating
- 10 trade sizes from 1/2" through 4"
- Sealing sleeves on all conduit openings
- Form 7 style cover uses retained stainless screw and wedge clip design
- Form 8 style cover uses plastic encapsulated stainless steel screws with retainers built into covers for trade sizes 1/2" through 2".
- Integral V-Seal gasket on Form 8 style, sizes 1/2" through 2"

Steel and Aluminum

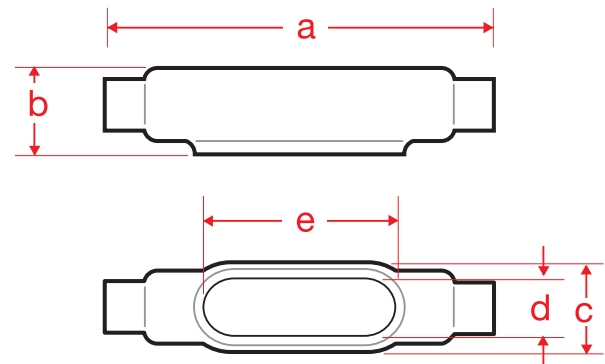
- UL 514A, 514D (E231035)
- CSA C22.2 No. 18, CSA C22.2 No. 42

Note: Form 7 fittings are not available with encapsulated screws. All cover screws are stainless steel.

APPROVAL STAMP

(See online product submittal guide at www.plastibond.com)

Conduit Bodies Technical Data



C FORM 8 MARK 9

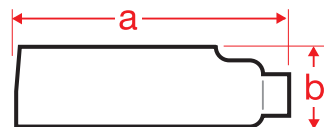
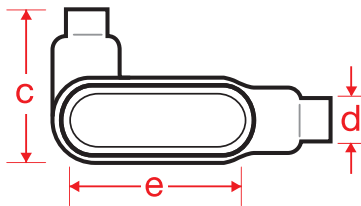
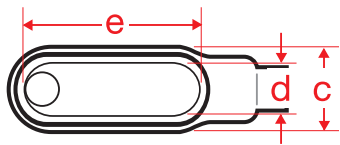
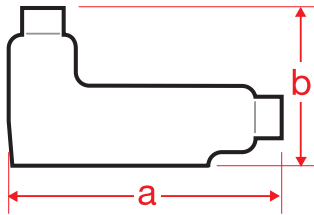
Pipe Size	FERROUS CATALOG #	Nominal Weight	A	B	C	D	E	ALUMINUM CATALOG #
1/2"	PRHC18	2.0	6.69	1.48	1.46	1.00	3.31	PRC19
3/4"	PRHC28	2.3	7.78	1.73	1.27	1.19	3.94	PRC29
1"	PRHC38	2.8	9.31	1.98	1.83	1.38	4.56	PRC39
1-1/4"	PRHC448	4.5	11.00	2.42	2.27	1.75	5.31	PRC49
1-1/2"	PRHC58	6.5	13.38	2.82	2.83	2.13	6.50	PRC59
2"	PRHC68	10.3	14.25	3.60	3.83	3.00	8.56	PRC69
2-1/2"	PRC78	18.0	17.63	4.48	5.08	4.25	10.88	PRC789
3"	PRC88	20.5	17.63	4.85	5.08	4.25	10.88	PRC889
3-1/2"	PRC989	10.0	20.75	5.73	6.33	5.44	13.44	PRC989
4"	PRC1089	12.0	20.75	5.73	6.33	5.44	13.44	PRC1089

C FORM 7

Pipe Size	FERROUS CATALOG #	Nominal Weight	A	B	C	D	E	ALUMINUM CATALOG #
1/2"	PRC17	1.0	6.38	1.42	1.46	0.94	3.19	PRC17SA
3/4"	PRC27	1.4	7.50	1.67	1.64	1.13	3.81	PRC27SA
1"	PRC37	2.2	9.00	1.92	1.83	1.38	4.50	PRC37SA
1-1/4"	PRC47	2.7	9.94	2.35	2.27	1.75	5.00	PRC47SA
1-1/2"	PRC57	4.0	11.19	2.60	2.52	1.94	5.44	PRC57SA
2"	PRC67	5.5	11.19	3.17	3.08	2.44	6.38	PRC67SA
2-1/2"	PRC77	10.0	14.00	3.67	4.33	3.56	8.38	PRC77SA
3"	PRC87	11.8	13.75	4.42	4.33	3.56	8.38	PRC87SA

CONDUIT BODIES AND COVERS FOR GENERAL SERVICE LOCATIONS

Conduit Bodies Technical Data



LB FORM 8

MARK 9

Pipe Size	FERROUS CATALOG #	Nominal Weight	A	B	C	D	E	ALUMINUM CATALOG #
1/2"	PRHLB18	1.5	5.48	2.26	1.42	1.00	3.31	PRLB19
3/4"	PRHLB28	2.0	6.35	2.48	1.60	1.19	3.94	PRLB29
1"	PRHLB38	2.9	7.51	2.85	1.79	1.38	4.56	PRLB39
1-1/4"	PRHLB448	4.1	8.82	3.38	2.23	1.75	5.31	PRLB49
1-1/2"	PRHLB58	6.5	10.67	4.07	2.79	2.13	6.50	PRLB59
2"	PRHLB68	8.2	13.04	4.85	3.79	3.00	8.56	PRLB69
2-1/2"	PRLB78	18.2	15.98	6.17	5.04	4.25	10.88	PRLB789
3"	PRLB888	21.2	15.98	6.54	5.04	4.25	10.88	PRLB889
3-1/2"	PRLB98	31.2	18.92	7.60	6.29	5.44	13.44	PRLB989
4"	PRLB108	32.0	18.92	7.85	6.29	5.44	13.44	PRLB1089

LB FORM 7

Pipe Size	FERROUS CATALOG #	Nominal Weight	A	B	C	D	E	ALUMINUM CATALOG #
1/2"	PRLB17	1.1	5.10	2.29	1.42	0.94	3.19	PRLB17SA
3/4"	PRLB27	1.7	5.98	2.54	1.6	1.13	3.81	PRLB27SA
1"	PRLB37	2.2	7.04	2.92	1.79	1.38	4.50	PRLB37SA
1-1/4"	PRLB47	3.1	7.79	3.35	2.23	1.75	5.00	PRLB47SA
1-1/2"	PRLB57	3.8	8.67	3.73	2.48	1.94	5.44	PRLB57SA
2"	PRLB67	5.2	10.17	4.29	3.04	2.44	6.38	PRLB67SA
2-1/2"	PRLB777	10.0	12.54	5.17	4.29	3.56	8.38	PRLB777SA
3"	PRLB87	13.0	12.54	5.92	4.29	3.56	8.38	PRLB87SA
3-1/2"	PRLB97	19.0	14.73	6.60	5.29	4.50	10.25	PRLB97SA
4"	PRLB107	18.5	14.73	7.10	5.29	4.50	10.25	PRLB107SA

LL FORM 8

MARK 9

Pipe Size	FERROUS CATALOG #	Nominal Weight	A	B	C	D	E	ALUMINUM CATALOG #
1/2"	PRLL18	1.4	5.48	1.48	2.20	1.00	3.31	PRLL19
3/4"	PRLL28	2.1	6.35	1.73	2.35	1.19	3.94	PRLL29
1"	PRLL38	2.6	7.51	1.98	2.67	1.38	4.56	PRLL39
1-1/4"	PRLL448	4.2	8.82	2.42	3.20	1.75	5.31	PRLL49
1-1/2"	PRLL58	6.2	10.67	2.82	4.04	2.13	6.50	PRLL59
2"	PRLL68	10.5	13.04	3.60	5.04	3.00	8.56	PRLL69
2-1/2"	PRLL78	19.0	15.98	4.48	6.73	4.25	10.88	PRLL789
3"	PRLL888	21.5	15.98	4.85	6.73	4.25	10.88	PRLL889
3-1/2"	PRLL98	21.5	14.73	4.92	6.98	4.50	10.25	PRLL989
4"	PRLL1089	24.5	14.73	5.42	6.98	4.50	10.25	PRLL1089

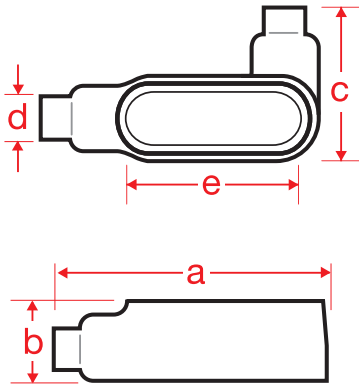
LL FORM 7

Pipe Size	FERROUS CATALOG #	Nominal Weight	A	B	C	D	E	ALUMINUM CATALOG #
1/2"	PRLL17	1.2	5.1	1.42	2.29	0.94	3.19	PRLL17SA
3/4"	PRLL27	1.6	5.98	1.67	2.48	1.13	3.81	PRLL27SA
1"	PRLL37	2.1	7.04	1.92	2.79	1.38	4.50	PRLL37SA
1-1/4"	PRLL47	3.0	7.79	2.35	3.23	1.75	5.00	PRLL47SA
1-1/2"	PRLL57	4.1	8.67	2.60	3.60	1.94	5.44	PRLL57SA
2"	PRLL67	5.7	10.17	3.17	4.17	2.44	6.38	PRLL67SA
2-1/2"	PRLL777	10.0	12.54	3.67	5.79	3.56	8.38	PRLL777SA
3"	PRLL87	12.7	12.54	4.42	5.79	3.56	8.38	PRLL87SA
3-1/2"	PRLL97	19.0	14.73	4.92	6.98	4.50	10.25	PRLL97SA
4"	PRLL107	19.0	14.73	5.42	6.98	4.50	10.25	PRLL107SA

PLASTI-BOND REDH₂O_T CONDUIT BODIES

CONDUIT BODIES AND COVERS FOR GENERAL SERVICE LOCATIONS

Conduit Bodies Technical Data



LR FORM 8

Pipe Size	FERROUS CATALOG #	Nominal Weight	A	B	C	D	E	ALUMINUM CATALOG #
1/2"	PRHLR18	1.4	5.48	1.48	2.20	1.00	3.31	PRLR19
3/4"	PRHLR28	2.1	6.35	1.73	2.35	1.19	3.94	PRLR29
1"	PRHLR38	2.6	7.51	1.98	2.67	1.38	4.56	PRLR39
1-1/4"	PRHLR448	4.5	8.82	2.42	3.20	1.75	5.31	PRLR49
1-1/2"	PRHLR58	6.2	10.67	2.82	4.04	2.13	6.50	PRLR59
2"	PRHLR68	10.7	13.04	3.60	5.04	3.00	8.56	PRLR69
2-1/2"	PRLR78	17.7	15.98	4.48	6.73	4.25	10.88	PRLR789
3"	PRLR888	18.0	15.98	4.85	6.73	4.25	10.88	PRLR889
3-1/2"	PRLR989	21.0	14.73	4.92	6.98	4.50	10.25	PRLR989
4"	PRLR1089	24.0	14.73	5.42	6.98	4.50	10.25	PRLR1089

LR FORM 7

Pipe Size	FERROUS CATALOG #	Nominal Weight	A	B	C	D	E	ALUMINUM CATALOG #
1/2"	PRLR17	1.2	5.10	1.42	2.29	0.94	3.19	PRLR17SA
3/4"	PRLR27	1.6	5.98	1.67	2.48	1.13	3.81	PRLR27SA
1"	PRLR37	2.1	7.04	1.92	2.79	1.38	4.50	PRLR37SA
1-1/4"	PRLR47	3.0	7.79	2.35	3.23	1.75	5.00	PRLR47SA
1-1/2"	PRLR57	4.1	8.67	2.60	3.60	1.94	5.44	PRLR57SA
2"	PRLR67	5.7	10.17	3.17	4.17	2.44	6.38	PRLR67SA
2-1/2"	PRLR777	10.0	12.54	3.67	5.79	3.56	8.38	PRLR777SA
3"	PRLR87	12.7	12.54	4.42	5.79	3.56	8.38	PRLR87SA
3-1/2"	PRLR97	19.0	14.73	4.92	6.98	4.50	10.25	PRLR97SA
4"	PRLR107	19.0	14.73	5.42	6.98	4.50	10.25	PRLR107SA



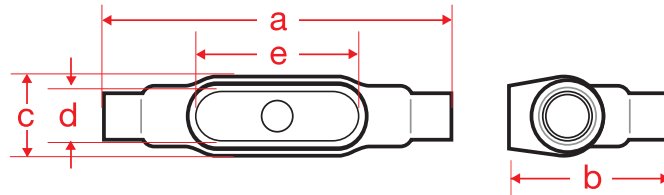
PRHT28



PRT27



Form 8 & Form 7 Covers



TB FORM 8

MARK 9

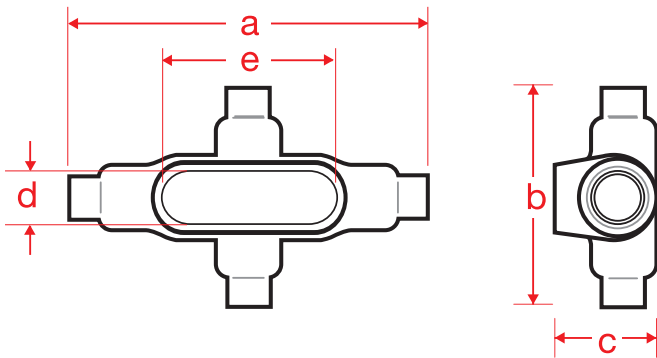
Pipe Size	FERROUS CATALOG #	Nominal Weight	A	B	C	D	E	ALUMINUM CATALOG #
1/2"	PRHTB18	2.0	6.69	3.57	1.46	1.00	3.31	PRTB19
3/4"	PRHTB28	2.3	7.78	3.79	1.64	1.19	3.94	PRTB29
1"	PRHTB38	3.1	9.31	4.17	1.83	1.38	4.56	PRTB39
1-1/4"	PRHTB448	5.2	11.00	4.38	2.27	1.75	5.31	-
1-1/2"	PRHTB58	7.0	13.38	5.07	2.83	2.13	6.50	-
2"	PRHTB68	11.0	16.25	5.85	3.83	3.00	8.56	-

TB FORM 7

Pipe Size	FERROUS CATALOG #	Nominal Weight	A	B	C	D	E	ALUMINUM CATALOG #
1/2"	PRTB17	1.6	6.63	2.67	1.64	0.94	3.19	PRTB19
3/4"	PRTB27	2.1	7.75	2.92	1.83	1.13	3.81	PRTB29
1"	PRTB37	2.7	9.25	3.29	2.08	1.38	4.50	PRTB39
1-1/4"	PRTB47	3.7	9.94	3.35	2.27	1.75	5.00	-
1-1/2"	PRTB57	4.7	11.19	5.04	2.52	1.94	5.44	-
2"	PRTB67	7.0	13.19	6.17	3.08	2.44	6.38	-

CONDUIT BODIES FOR GENERAL SERVICE LOCATIONS

Conduit Bodies Technical Data



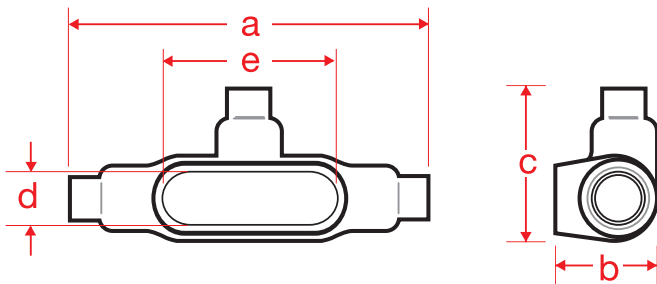
X FORM 8

MARK 9

Pipe Size	FERROUS CATALOG #	Nominal Weight	A	B	C	D	E	ALUMINUM CATALOG #
1/2"	PRHX18	2.0	6.69	3.91	1.79	1.00	3.31	PRX19
3/4"	PRHX28	2.6	7.78	4.56	2.04	1.19	3.94	PRX29
1"	PRHX38	3.1	9.31	5.50	2.29	1.38	4.56	PRX39
1-1/4"	PRHX448	5.2	11.00	6.63	2.67	1.75	5.31	-
1-1/2"	PRHX58	7.5	13.38	8.25	2.51	2.13	6.50	-
2"	PRHX68	11.7	16.25	10.25	3.60	3.00	8.56	-

X FORM 7

Pipe Size	FERROUS CATALOG #	Nominal Weight	A	B	C	D	E	ALUMINUM CATALOG #
1/2"	PRX17	1.7	6.63	3.35	1.79	0.94	3.19	PRX1SA
3/4"	PRX27	2.4	7.75	3.54	2.04	1.13	3.81	PRX2SA
1"	PRX37	2.7	9.25	4.04	2.29	1.38	4.50	PRX3SA
1-1/4"	PRX47	3.6	9.94	4.17	2.35	1.75	5.00	-
1-1/2"	PRX57	5.0	11.19	4.67	2.60	1.94	5.44	-
2"	PRX67	7.5	13.19	5.23	3.17	2.44	6.38	-



T FORM 8

MARK 9

Pipe Size	FERROUS CATALOG #	Nominal Weight	A	B	C	D	E	ALUMINUM CATALOG #
1/2"	PRHT18	1.8	6.69	1.79	2.20	1.00	3.31	PRT19
3/4"	PRHT28	2.5	7.78	2.04	2.35	1.19	3.94	PRT29
1"	PRHT38	3.3	9.31	2.29	2.67	1.38	4.56	PRT39
1-1/4"	PRHT448	4.9	11.00	2.67	3.20	1.75	5.31	PRT49
1-1/2"	PRHT58	7.5	13.38	2.82	4.04	2.13	6.50	PRT59
2"	PRHT68	11.7	16.25	3.60	5.04	3.00	8.56	PRT69
2-1/2"	PRT78	19.8	19.63	4.48	6.73	4.25	10.88	PRT789
3"	PRT88	23.5	19.63	4.85	6.73	4.25	10.88	PRT889
3-1/2"	PRT989	21.0	22.75	5.73	8.17	5.44	13.44	PRT989
4"	PRT1089	24.0	22.75	5.98	8.17	5.44	13.44	PRT1089

REPLACEMENT SCREW KITS

CATALOG #	Description
PBSCREW-KIT-1	1/2-3/4 FORM 8 ENCAP SCREWS
PBSCREW-KIT-2	1-1 1/4 FORM 8 ENCAP SCREWS
PBSCREW-KIT-3	1 1/2 FORM 8 ENCAP SCREWS
PBSCREW-KIT-4	2 FORM 8 ENCAP SCREWS
PBSCREW-KIT-5	2 1/2-3 FORM 8 ENCAP SCREWS
PBSCREW-KIT-6	3 1/2-4 FORM 8 ENCAP SCREWS
PBSCREW-KIT-7	1/2 OE ENCAP SCREWS
PBSCREW-KIT-8	3/4 OE ENCAP SCREWS
PBSCREW-KIT-9	1 1/4 LBD ENCAP SCREWS
PBSCREW-KIT-10	1 1/2 LBD ENCAP SCREWS
PBSCREW-KIT-11	2 LBD ENCAP SCREWS
PBSCREW-KIT-12	2 1/2-3 LBD ENCAP SCREWS
PBSCREW-KIT-13	2 1/2-3 MARK 9 ENCAP SCREWS
PBSCREW-KIT-14	3 1/2-4 MARK 9 ENCAP SCREWS

T FORM 7

Pipe Size	FERROUS CATALOG #	Nominal Weight	A	B	C	D	E	ALUMINUM CATALOG #
1/2"	PRT17	1.5	6.63	1.79	2.48	0.94	3.19	PRT17SA
3/4"	PRT27	2.1	7.75	2.04	2.67	1.13	3.81	PRT27SA
1"	PRT37	2.9	9.25	2.29	3.04	1.38	4.50	PRT37SA
1-1/4"	PRT47	3.6	9.94	2.35	3.23	1.75	5.00	PRT47SA
1-1/2"	PRT57	4.5	11.19	2.60	3.60	1.94	5.44	PRT57SA
2"	PRT67	6.5	13.19	3.17	4.17	2.44	6.38	PRT67SA
2-1/2"	PRT77	10.7	16.00	3.67	5.79	3.56	8.38	PRT77SA
3"	PRT87	15.4	16.06	4.42	5.79	3.56	8.38	PRT87SA
3-1/2"	PRT97	19.0	18.31	4.92	6.98	4.50	10.25	PRT97SA
4"	PRT107	21.0	18.31	5.42	6.98	4.50	10.25	PRT107SA