

## KNOCKOUT HUBS



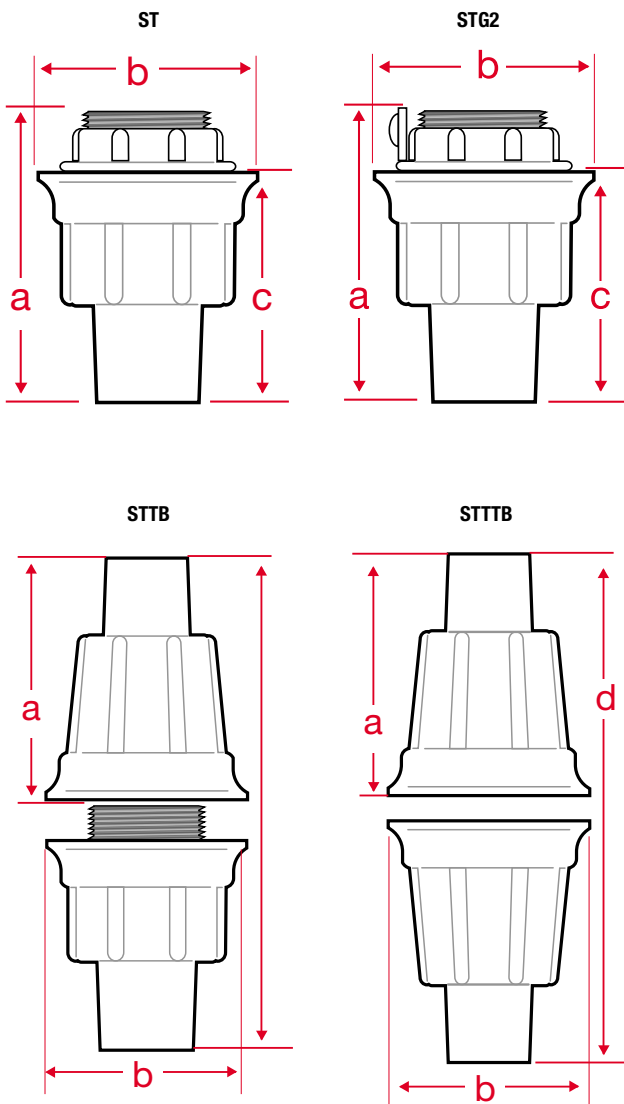
PRST2



PRSTG2

### Knockout Hubs Specifications

#### Knockout Hubs Configurations



#### APPLICATION

PLASTI-BOND REDH<sub>2</sub>OT ST style knockout hubs are used to terminate conduit runs through the wall of a sheet metal electrical enclosure. They are available with or without grounding lug. STTB style hubs are "Through-Bulkhead" fittings used to pass conduit runs through firewalls or bulkheads up to 1/8" thick. STTTB style hubs perform the same function for unlimited wall thicknesses, (furnished without nipples).

#### FEATURES

- 40 mil gray PVC exterior coating
- 2 mil red urethane interior coating
- ST and STTB available in 12 trade sizes from 1/2" through 6"
- STTTB in 6 trade sizes from 1/2" through 2".
- Sealing sleeves on conduit side of hub
- Molded PVC gasket seals flush with enclosure wall.
- O-ring gasket provides additional seal

#### COMPLIANCES

- UL
- CSA

**NOTE:**

- All Screw-tight Hubs are listed for NEMA type enclosures 2, 3, 3R, 4, 4x, 11 and 12
- Grounding and Bonding Hubs are listed for NEMA Enclosures 2, 3, 3R, 4 and 12

APPROVAL STAMP

## KNOCKOUT HUBS

### Knockout Hubs Technical Data

#### ST

| Pipe Size                       | Catalog # | Nominal Weight | A    | B    | C    | MAX WALL THICK | Aluminum Catalog # |
|---------------------------------|-----------|----------------|------|------|------|----------------|--------------------|
| <input type="checkbox"/> 1/2"   | PRST1     | 0.2            | 1.84 | 2.00 | 1.31 | 0.125          | PRSTA1             |
| <input type="checkbox"/> 3/4"   | PRST2     | 0.3            | 2.22 | 2.25 | 1.66 | 0.125          | PRSTA2             |
| <input type="checkbox"/> 1"     | PRST3     | 0.4            | 2.66 | 2.50 | 2.03 | 0.125          | PRSTA3             |
| <input type="checkbox"/> 1-1/4" | PRST4     | 0.4            | 2.94 | 3.25 | 2.28 | 0.125          | PRSTA4             |
| <input type="checkbox"/> 1-1/2" | PRST5     | 0.6            | 3.19 | 3.50 | 2.53 | 0.125          | PRSTA5             |
| <input type="checkbox"/> 2"     | PRST6     | 1.2            | 3.75 | 4.25 | 3.09 | 0.125          | PRSTA6             |
| <input type="checkbox"/> 2-1/2" | PRST7     | 1.5            | 4.22 | 4.75 | 3.28 | 0.125          | PRSTA7             |
| <input type="checkbox"/> 3"     | PRST8     | 2.1            | 4.31 | 5.25 | 3.38 | 0.125          | PRSTA8             |
| <input type="checkbox"/> 3-1/2" | PRST9     | 3.0            | 4.38 | 5.50 | 3.44 | 0.125          | PRSTA9             |
| <input type="checkbox"/> 4"     | PRST10    | 3.5            | 4.44 | 6.25 | 3.50 | 0.125          | PRSTA10            |
| <input type="checkbox"/> 5"     | PRST11    | 5.4            | 4.94 | 7.50 | 4.00 | 0.125          | PRSTA11            |
| <input type="checkbox"/> 6"     | PRST12    | 6.9            | 5.00 | 8.50 | 4.00 | 0.125          | PRSTA12            |

#### STG

| Pipe Size                       | Catalog # | Nominal Weight | A    | B    | C    | MAX WALL THICK | Aluminum Catalog # |
|---------------------------------|-----------|----------------|------|------|------|----------------|--------------------|
| <input type="checkbox"/> 1/2"   | PRSTG1    | 0.2            | 1.84 | 2.00 | 1.31 | 0.125          | PRSTAG1            |
| <input type="checkbox"/> 3/4"   | PRSTG2    | 0.3            | 2.22 | 2.25 | 1.66 | 0.125          | PRSTAG2            |
| <input type="checkbox"/> 1"     | PRSTG3    | 0.4            | 2.66 | 2.50 | 2.03 | 0.125          | PRSTAG3            |
| <input type="checkbox"/> 1-1/4" | PRSTG4    | 0.4            | 2.94 | 3.25 | 2.28 | 0.125          | PRSTAG4            |
| <input type="checkbox"/> 1-1/2" | PRSTG5    | 0.6            | 3.19 | 3.50 | 2.53 | 0.125          | PRSTAG5            |
| <input type="checkbox"/> 2"     | PRSTG6    | 1.2            | 3.75 | 4.25 | 3.09 | 0.125          | PRSTAG6            |
| <input type="checkbox"/> 2-1/2" | PRSTG7    | 1.5            | 4.22 | 4.75 | 3.28 | 0.125          | PRSTAG7            |
| <input type="checkbox"/> 3"     | PRSTG8    | 2.1            | 4.31 | 5.25 | 3.38 | 0.125          | PRSTAG8            |
| <input type="checkbox"/> 3-1/2" | PRSTG9    | 3.0            | 4.38 | 5.50 | 3.44 | 0.125          | PRSTAG9            |
| <input type="checkbox"/> 4"     | PRSTG10   | 3.5            | 4.44 | 6.25 | 3.50 | 0.125          | PRSTAG10           |
| <input type="checkbox"/> 5"     | PRSTG11   | 5.4            | 4.94 | 7.50 | 4.00 | 0.125          | PRSTAG11           |
| <input type="checkbox"/> 6"     | PRSTG12   | 6.9            | 5.00 | 8.50 | 4.00 | 0.125          | PRSTAG12           |

#### STTB

| Pipe Size                       | Catalog # | Nominal Weight | A    | B    | D    | MAX WALL THICK | Aluminum Catalog # |
|---------------------------------|-----------|----------------|------|------|------|----------------|--------------------|
| <input type="checkbox"/> 1/2"   | PRSTTB1   | 0.5            | 1.84 | 2.00 | 3.68 | 0.19           | PRSTTB1            |
| <input type="checkbox"/> 3/4"   | PRSTTB2   | 0.5            | 2.22 | 2.25 | 4.44 | 0.19           | PRSTTB2            |
| <input type="checkbox"/> 1"     | PRSTTB3   | 0.7            | 2.66 | 2.50 | 5.32 | 0.25           | PRSTTB3            |
| <input type="checkbox"/> 1-1/4" | PRSTTB4   | 1.0            | 2.94 | 3.25 | 5.88 | 0.25           | PRSTTB4            |
| <input type="checkbox"/> 1-1/2" | PRSTTB5   | 1.2            | 3.19 | 3.50 | 6.38 | 0.25           | PRSTTB5            |
| <input type="checkbox"/> 2"     | PRSTTB6   | 1.7            | 3.75 | 4.25 | 7.50 | 0.25           | PRSTTB6            |
| <input type="checkbox"/> 2-1/2" | PRSTTB7   | 2.5            | 4.22 | 4.75 | 8.44 | 0.25           | PRSTTB7            |
| <input type="checkbox"/> 3"     | PRSTTB8   | 3.0            | 4.31 | 5.25 | 8.62 | 0.25           | PRSTTB8            |
| <input type="checkbox"/> 3-1/2" | PRSTTB9   | 4.2            | 4.38 | 5.50 | 8.76 | 0.25           | PRSTTB9            |
| <input type="checkbox"/> 4"     | PRSTTB10  | 5.9            | 4.44 | 6.25 | 8.88 | 0.25           | PRSTTB10           |

#### STTTB

| Pipe Size                       | Catalog # | Nominal Weight | A    | B    | D    | MAX WALL THICK | Aluminum Catalog # |
|---------------------------------|-----------|----------------|------|------|------|----------------|--------------------|
| <input type="checkbox"/> 1/2"   | PRSTTTB1  | 1.0            | 1.84 | 2.00 | 3.68 | *              | PRSTTTB1           |
| <input type="checkbox"/> 3/4"   | PRSTTTB2  | 1.0            | 2.22 | 2.25 | 4.44 | *              | PRSTTTB2           |
| <input type="checkbox"/> 1"     | PRSTTTB3  | 1.4            | 2.66 | 2.50 | 5.32 | *              | PRSTTTB3           |
| <input type="checkbox"/> 1-1/4" | PRSTTTB4  | 2.0            | 2.94 | 3.25 | 5.88 | *              | PRSTTTB4           |
| <input type="checkbox"/> 1-1/2" | PRSTTTB5  | 2.4            | 3.19 | 3.50 | 6.38 | *              | PRSTTTB5           |
| <input type="checkbox"/> 2"     | PRSTTTB6  | 3.4            | 3.75 | 4.25 | 7.50 | *              | PRSTTTB6           |

\* Unlimited wall thickness – determined by nipple used.

APPROVAL STAMP



### Proper Product Performance Depends On Proper Installation... And We Can Help!

We support proper installation of Plasti-Bond REDH<sub>2</sub>OT in many ways. **First:** we make available to you, at no charge, a comprehensive installation manual plus an installation video (available in English and Spanish). **Second,** we recommend Corrosion College, an intense, two day educational experience that covers installation procedures in addition to topics related to corrosion theory and prevention.

**Third:** we provide specialized tools to ensure that installation can be performed quickly, easily, and without damage. **Fourth:** we provide an installer certification program that teaches proper installation techniques for maximum conduit performance.