

F7 F8 M9 Conduit Bodies

Catalog Number: PRT87
UPC: 784011204243

Description

3 Inch Form 7 T Conduit Body

PVC coated Form 7 conduit bodies with covers are offered in numerous configurations to provide a complete coated conduit system. Electrical continuity of the conduit system is maintained across assembled joints.

Application

- Offered in numerous configurations for 90 degree bends, taps or splices or mounting outlets
- Offered in numerous configurations for 90 degree bends, taps or splices or mounting outlets

Features

- 40 mil gray PVC exterior coating
- 2 mil red urethane interior coating
- 10 trade sizes from 1/2" through 4"
- Sealing sleeves on all conduit openings
- Cover uses retained stainless screw and wedge clip design

General

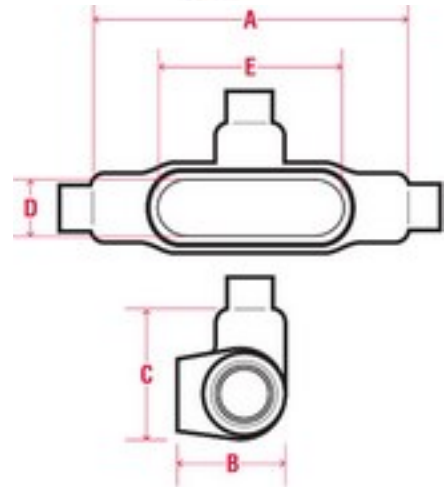
Material:	FERROUS METAL
Exterior Finish:	A nominal .040 inch (40 mil) gray PVC coating
Interior Finish:	A nominal .002 inch (2 mil) red urethane
Body Style:	T
Screw Type:	Self-retaining stainless steel cover screws

Dimensions

Dimension A (Inches)	12.06
Dimension B (Inches)	4.42
Dimension C (Inches)	5.79
Dimension D (Inches)	3.56
Dimension E (Inches)	8.38
Nominal Weight (Pounds)	15.4

Technical / Specification Documents

Specification Guide (1995 Master)	AVAILABLE ON WEBSITE
Specification Guide (2004 Master)	AVAILABLE ON WEBSITE
Installer Certification and Tools	AVAILABLE ON WEBSITE
Chemical Resistance Charts	AVAILABLE ON WEBSITE
Performance Specifications	AVAILABLE ON WEBSITE





F7 F8 M9 Conduit Bodies

Catalog Number: PRT87

UPC: 784011204243

Standards

UL 514A, 514D: E231035

CSA Certified: C22.2 No.18

CSA Certified: C22.2 No. 42

Notes

Not available with encapsulated screws.

All cover screws are stainless steel

