

## F7 F8 M9 Conduit Bodies

Catalog Number: PRHX18  
UPC: 784011204397

### Description

#### 1/2 Inch Form 8 X Conduit Body

PVC coated Form 8 conduit bodies with covers are offered in numerous configurations to provide a complete coated conduit system. Electrical continuity of the conduit system is maintained across assembled joints.

### Application

- Offered in numerous configurations for 90 degree bends, taps or splices or mounting outlets
- Offered in numerous configurations for 90 degree bends, taps or splices or mounting outlets

### Features

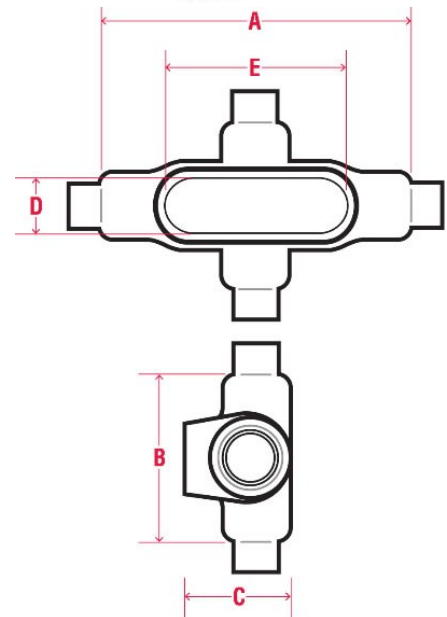
- 40 mil gray PVC exterior coating
- 2 mil red urethane interior coating
- 10 trade sizes from 1/2" through 4"
- Sealing sleeves on all conduit openings
- Plastic encapsulated stainless steel screws with retainers built into covers for trade sizes 1/2" through 2"
- V-Seal gasket on sizes 1/2" through 2"

### General

Material:	FERROUS METAL
Exterior Finish:	A nominal .040 inch (40 mil) gray PVC coating
Interior Finish:	A nominal .002 inch (2 mil) red urethane
Body Style:	X
Screw Type: screws with retainers	Plastic encapsulated stainless steel cover
Cover Seal:	V-Seal gasket

### Dimensions

Dimension A (Inches)	5.69
Dimension B (Inches)	2.91
Dimension C (Inches)	1.79
Dimension D (Inches)	1
Dimension E (Inches)	3.31
Nominal Weight (Pounds)	2





## F7 F8 M9 Conduit Bodies

Catalog Number: PRHX18  
UPC: 784011204397

### Technical / Specification Documents

---

Specification Guide (1995 Master)	AVAILABLE ON WEBSITE
Specification Guide (2004 Master)	AVAILABLE ON WEBSITE
Installer Certification and Tools	AVAILABLE ON WEBSITE
Chemical Resistance Charts	AVAILABLE ON WEBSITE
Performance Specifications	AVAILABLE ON WEBSITE

### Standards

---

UL 514A, 514D:	E231035
CSA Certified:	C22.2 No.18
CSA Certified:	C22.2 No. 42

### Notes

---

All cover screws are stainless steel

