

## F7 F8 M9 Conduit Bodies

Catalog Number: PRHX58  
 UPC: 784011204434

### Description

#### 1-1/2 Inch Form 8 X Conduit Body

PVC coated Form 8 conduit bodies with covers are offered in numerous configurations to provide a complete coated conduit system. Electrical continuity of the conduit system is maintained across assembled joints.

### Application

- Offered in numerous configurations for 90 degree bends, taps or splices or mounting outlets
- Offered in numerous configurations for 90 degree bends, taps or splices or mounting outlets

### Features

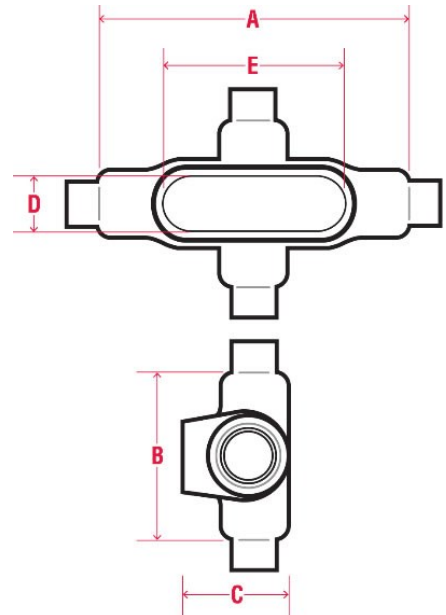
- 40 mil gray PVC exterior coating
- 2 mil red urethane interior coating
- 10 trade sizes from 1/2" through 4"
- Sealing sleeves on all conduit openings
- Plastic encapsulated stainless steel screws with retainers built into covers for trade sizes 1/2" through 2"
- V-Seal gasket on sizes 1/2" through 2"

### General

Material:	FERROUS METAL
Exterior Finish:	A nominal .040 inch (40 mil) gray PVC coating
Interior Finish:	A nominal .002 inch (2 mil) red urethane
Body Style:	X
Screw Type: screws with retainers	Plastic encapsulated stainless steel cover
Cover Seal:	V-Seal gasket

### Dimensions

Dimension A (Inches)	10.38
Dimension B (Inches)	5.25
Dimension C (Inches)	2.51
Dimension D (Inches)	2.13
Dimension E (Inches)	6.5
Nominal Weight (Pounds)	7.5





## F7 F8 M9 Conduit Bodies

Catalog Number: PRHX58

UPC: 784011204434

### Technical / Specification Documents

---

Specification Guide (1995 Master) *AVAILABLE ON WEBSITE*

---

Specification Guide (2004 Master) *AVAILABLE ON WEBSITE*

---

Installer Certification and Tools *AVAILABLE ON WEBSITE*

---

Chemical Resistance Charts *AVAILABLE ON WEBSITE*

---

Performance Specifications *AVAILABLE ON WEBSITE*

---

### Standards

---

UL 514A, 514D: E231035

---

CSA Certified: C22.2 No.18

---

CSA Certified: C22.2 No. 42

---

### Notes

---

All cover screws are stainless steel

---

