

## PVC Coated ST Style Knockout Hub

Catalog Number: PRSTA10  
UPC: 784011219018

### Description

#### 4 Inch ST Aluminum Knockout Hub

PVC coated ST knockout hubs are used to terminate conduit runs through the wall of a sheet metal electrical enclosure.

### Application

- Used to terminate conduit runs through the wall of a sheet metal electrical enclosure
- Used to terminate conduit runs through the wall of a sheet metal electrical enclosure

### Features

- 40 mil gray PVC exterior coating
- 2 mil red urethane interior coating
- Available in 12 trade sizes from 1/2" through 6"
- Sealing sleeves on conduit side of hub
- Molded PVC gasket seals flush with enclosure wall
- O-ring gasket provides additional seal

### General

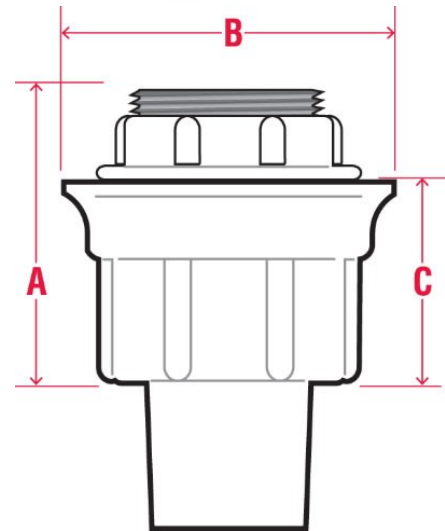
Material:	ALUMINUM
Exterior Finish:	A nominal .040 inch (40 mil) gray PVC coating
Interior Finish:	A nominal .002 inch (2 mil) red urethane
Seal Type:	O-ring gasket
Grounding Lug:	Available on STG

### Dimensions

Dimension A (Inches)	2.44
Dimension B (Inches)	6.25
Dimension C (Inches)	1.5
Max Wall Thickness (Inches)	.25

### Technical / Specification Documents

Specification Guide (1995 Master)	AVAILABLE ON WEBSITE
Specification Guide (2004 Master)	AVAILABLE ON WEBSITE
Installer Certification and Tools	AVAILABLE ON WEBSITE
Chemical Resistance Charts	AVAILABLE ON WEBSITE
Performance Specifications	AVAILABLE ON WEBSITE



## PVC Coated ST Style Knockout Hub

Catalog Number: PRSTA10

UPC: 784011219018

### Standards

---

NEC/CEC: Class I, Division 2

---

NEC/CEC: Class II, Division 1 & 2

---

NEC/CEC: Class III, Division 1 & 2

---

### Notes

---

All Screw-tight Hubs are listed for NEMA and UL type enclosures 2, 3, 3R, 4, 4x, 11 and 12

---

Grounding and Bonding Hubs are listed for NEMA Enclosures 2, 3, 3R, 4 and

---

