



These Plasti-Bond REDH₂OT sealing fittings should be used with a suitable system of sealing compound, such as Chico A, Chico X or Chico A-P from Crouse-Hinds. Follow the installation instructions included with the sealing compound.

Sealing Fittings

Description:

Plasti-Bond REDH₂OT Sealing Fittings are used in conduit runs to stop gasses, vapors or flames from migrating from one part of the conduit system to another. This limits the spread of any potential explosion, enhancing safety. The PVC and urethane coatings of the fittings protects them from corrosive atmospheres so they can continue to function in hazardous locations. These fittings are available in several different configurations and with optional breathers and drains to accommodate installation in a variety of locations and positions. The EYD, EYDX and EZD styles of fittings are for installation in vertical conduit runs. The EYS and EYSX style fittings are for installation in either vertical or horizontal runs. The EZS style fitting may be used in any angle of conduit run.

Features:

- 40 mil gray PVC exterior coating
- 2 mil red urethane interior coating
- 10 trade sizes from 1/2" through 4"
- Sealing sleeves on all conduit openings
- EYDX and EYSX seals have 40% wire fill capacity
- EYD and EZD fittings include a drain for condensate
- EZD fittings may be used at any conduit angle and include drain

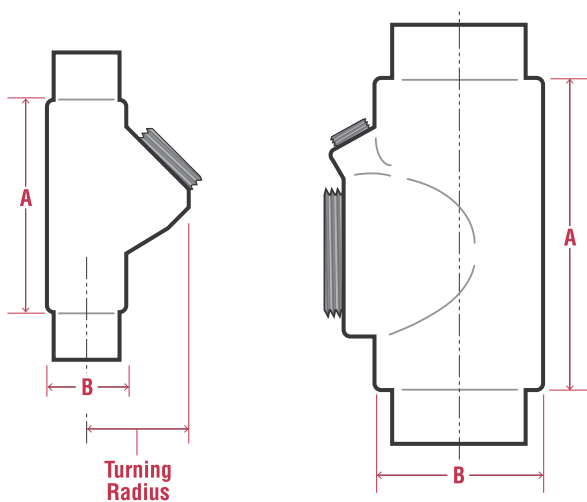
Standards:

- NEC/CEC:
 - EYS 1-3, 11-31, 16-36, 116-316
 - Class I, Division 1 & 2, Groups A, B, C, D
 - Class II, Division 1, Groups E, F, G
 - Class II, Division 2, Groups F, G
 - Class III
- EYS 41-61, 416-1016, EYSX 11-81, EYDX 11-81
 - Class I, Division 1 & 2, Groups B, C, D
 - Class II, Division 1, Groups E, F, G
 - Class II, Division 2, Groups F, G
 - Class III
- EYS 29, 4-10, 46-106, EZS 1-8, 16-86, EYD 1-10, 16-106, EZD 10-60, 111-611
 - Class I, Division 1 & 2, Groups C, D
 - Class II, Division 1, Groups F, G
 - Class II, Division 2, Groups F, G
 - Class III
- EYSX 9-10
 - Class I, Division 1 & 2, Groups C, D
 - Class II, Division 1, Groups E, F, G
 - Class II, Division 2, Groups F, G
 - Class III

Sealing Fittings

Sealing Fittings Technical Data

These Plasti-Bond REDH₂OT sealing fittings should be used with a suitable system of sealing compound, such as Chico A, Chico X or Chico A-P from Crouse-Hinds. Follow the installation instructions included with the sealing compound.



EYSX - EXPANDED FILL FEMALE HUBS FOR SEALING IN VERTICAL OR HORIZONTAL POSITIONS

PIPE SIZE	FERROUS CATALOG #	NOMINAL WEIGHT	A	B	TURNING RADIUS	ALUMINUM CATALOG #
1/2"	PREYSX11	1.5	3.69	1.58	1.25	PREYSX1SA
3/4"	PREYSX21	2.1	4.31	1.83	1.38	PREYSX2SA
1"	PREYSX31	2.7	5.06	2.27	1.72	PREYSX3SA
1-1/4"	PREYSX41	3.7	6.25	3.08	2.31	PREYSX4SA
1-1/2"	PREYSX51	4.7	6.25	3.08	2.31	PREYSX5SA
2"	PREYSX61	6.7	8.50	4.33	3.31	PREYSX6SA
2-1/2"	PREYSX71	7.7	9.19	4.83	3.44	PREYSX7SA
3"	PREYSX81	8.7	9.75	5.33	3.69	PREYSX8SA
3-1/2"	PREYSX9	9.7	11.06	6.58	4.59	PREYSX9SA
4"	PREYSX10	10.7	11.06	6.58	4.59	PREYSX10SA

EYS - FEMALE HUBS

FOR SEALING IN VERTICAL POSITIONS ONLY

PIPE SIZE	FERROUS CATALOG #	NOMINAL WEIGHT	A	B	TURNING RADIUS	ALUMINUM CATALOG #
1/2"	PREYS1	1.0	3.28	1.33	1.63	PREYS1SA
3/4"	PREYS2	1.5	3.75	1.58	1.91	PREYS2SA
1"	PREYS3	2.1	4.31	1.83	2.38	PREYS3SA

FOR SEALING IN VERTICAL OR HORIZONTAL POSITIONS

1-1/4"	PREYS4	2.7	5.06	2.27	1.72	PREYS4SA
1-1/2"	PREYS5	3.7	5.50	2.52	2.06	PREYS5SA
2"	PREYS6	4.7	6.25	3.08	2.31	PREYS6SA
2-1/2"	PREYS7	10.0	7.50	3.58	2.69	PREYS7SA
3"	PREYS8	11.2	8.50	4.33	3.31	PREYS8SA
3-1/2"	PREYS9	14.5	9.19	4.83	3.44	PREYS9SA
4"	PREYS10	16.0	9.75	5.33	3.69	PREYS10SA

EYS - MALE/FEMALE HUBS

FOR SEALING IN VERTICAL POSITIONS ONLY

PIPE SIZE	FERROUS CATALOG #	NOMINAL WEIGHT	A	B	TURNING RADIUS	ALUMINUM CATALOG #
1/2"	PREYS16	1.5	3.28	1.33	1.63	PREYS16SA
3/4"	PREYS26	1.5	3.75	1.58	1.91	PREYS26SA
1"	PREYS36	2.3	4.31	1.83	2.38	PREYS36SA

EYS - FEMALE HUBS

FOR SEALING IN VERTICAL OR HORIZONTAL POSITIONS

PIPE SIZE	FERROUS CATALOG #	NOMINAL WEIGHT	A	B	TURNING RADIUS	ALUMINUM CATALOG #
1/2"	PREYS11	1.3	3.69	1.33	1.16	PREYS11SA
3/4"	PREYS21	1.1	3.69	1.58	1.25	PREYS21SA
1"	PREYS31	2.2	4.31	1.83	1.38	PREYS31SA
1-1/4"	PREYS41	3.0	5.06	2.27	1.72	PREYS41SA
1-1/2"	PREYS51	3.8	5.50	2.52	2.06	PREYS51SA
2"	PREYS61	5.5	6.25	3.08	2.31	PREYS61SA

EYS - MALE/FEMALE HUBS FOR SEALING IN VERTICAL OR HORIZONTAL POSITIONS

PIPE SIZE	FERROUS CATALOG #	NOMINAL WEIGHT	A	B	TURNING RADIUS	ALUMINUM CATALOG #
1/2"	PREYS116	1.5	3.69	1.33	1.16	PREYS116SA
3/4"	PREYS216	1.2	3.69	1.58	1.25	PREYS216SA
1"	PREYS316	2.6	4.31	1.83	1.38	PREYS316SA
1-1/4"	PREYS46	2.8	5.06	2.27	1.72	PREYS46SA
1-1/2"	PREYS56	3.7	5.50	2.52	2.06	PREYS56SA
2"	PREYS66	5.6	6.25	3.08	2.31	PREYS66SA
2-1/2"	PREYS76	13.2	7.50	3.58	2.69	PREYS76SA
3"	PREYS86	11.2	8.50	4.33	3.31	PREYS86SA
3-1/2"	PREYS96	14.5	9.19	4.83	3.44	PREYS96SA
4"	PREYS106	1.5	9.75	5.33	3.69	PREYS106SA

Sealing Fittings continued on following pages...



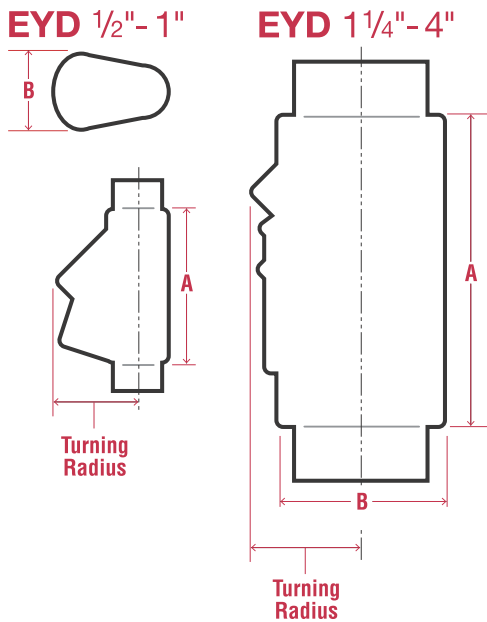
Contact us:
customerservice@plastibond.com



Visit www.plastibond.com
For more information

Sealing Fittings Technical Data

These Plasti-Bond REDH₂OT sealing fittings should be used with a suitable system of sealing compound, such as Chico A, Chico X or Chico A-P from Crouse-Hinds. Follow the installation instructions included with the sealing compound.



EYD - FEMALE HUBS WITH DRAIN.

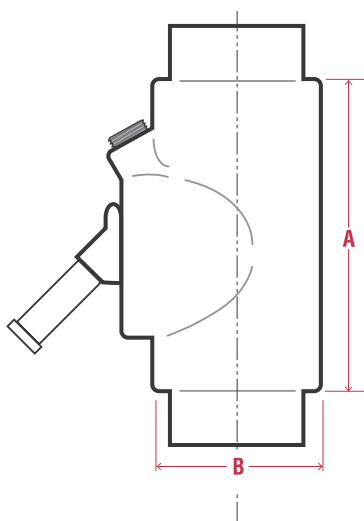
FOR SEALING IN VERTICAL POSITIONS ONLY.

PIPE SIZE	FERROUS CATALOG #	NOMINAL WEIGHT	A	B	TURNING RADIUS	ALUMINUM CATALOG #
1/2"	PREYD1	1.4	3.28	1.33	1.63	PREYD1SA
3/4"	PREYD2	1.7	3.69	1.58	1.91	PREYD2SA
1"	PREYD3	2.3	4.31	2.27	2.38	PREYD3SA
1-1/4"	PREYD4	2.5	5.06	2.27	1.84	PREYD4SA
1-1/2"	PREYD5	4.0	5.50	2.52	2.06	PREYD5SA
2"	PREYD6	4.7	6.25	3.08	2.31	PREYD6SA
2-1/2"	PREYD7	9.0	7.50	3.58	2.69	PREYD7SA
3"	PREYD8	10.2	8.50	4.33	3.31	PREYD8SA
3-1/2"	PREYD9	10.5	9.19	4.83	3.44	PREYD9SA
4"	PREYD10	4.0	9.75	5.33	3.50	PREYD10SA

EYD - MALE/FEMALE HUBS WITH DRAIN.

FOR SEALING IN VERTICAL POSITIONS ONLY.

PIPE SIZE	FERROUS CATALOG #	NOMINAL WEIGHT	A	B	TURNING RADIUS	ALUMINUM CATALOG #
1/2"	PREYD16	2.7	3.28	1.33	1.63	PREYD16SA
3/4"	PREYD26	2.8	3.69	1.58	1.91	PREYD26SA
1"	PREYD36	2.9	4.31	2.27	2.38	PREYD36SA
1-1/4"	PREYD46	2.6	5.06	2.27	1.84	PREYD46SA
1-1/2"	PREYD56	3.7	5.50	2.52	2.06	PREYD56SA
2"	PREYD66	5.2	6.25	3.08	2.31	PREYD66SA
2-1/2"	PREYD76	9.5	7.50	3.58	2.69	PREYD76SA
3"	PREYD86	11.3	8.50	4.33	3.31	PREYD86SA
3-1/2"	PREYD96	12.5	9.19	4.83	3.44	PREYD96SA
4"	PREYD106	16.7	9.75	5.33	3.50	PREYD106SA



EYDX - EXPANDED FILL FEMALE HUBS WITH DRAIN.

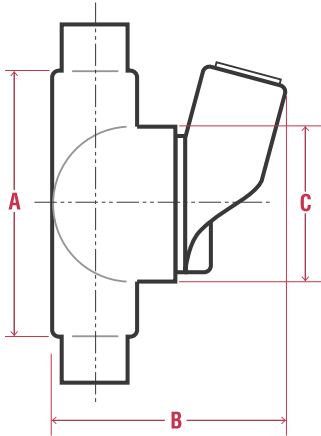
FOR SEALING IN VERTICAL POSITIONS ONLY.

PIPE SIZE	FERROUS CATALOG #	NOMINAL WEIGHT	A	B	TURNING RADIUS	ALUMINUM CATALOG #
1/2"	PREYDX11	1.7	3.69	1.83	1.91	PREYDX1SA
3/4"	PREYDX21	2.3	4.31	2.27	2.38	PREYDX2SA
1"	PREYDX31	2.5	5.06	2.27	1.84	PREYDX3SA
1-1/4"	PREYDX41	4.0	6.25	3.08	2.31	PREYDX4SA
1-1/2"	PREYDX51	4.7	6.25	3.08	2.31	PREYDX5SA
2"	PREYDX61	9.0	8.50	4.33	3.31	PREYDX6SA
2-1/2"	PREYDX71	10.2	9.19	4.83	3.44	PREYDX7SA
3"	PREYDX81	10.5	9.75	5.33	3.50	PREYDX8SA

Sealing Fittings

Sealing Fittings Technical Data

These Plasti-Bond REDH₂OT sealing fittings should be used with a suitable system of sealing compound, such as Chico A, Chico X or Chico A-P from Crouse-Hinds. Follow the installation instructions included with the sealing compound.



EZS - FEMALE HUBS.

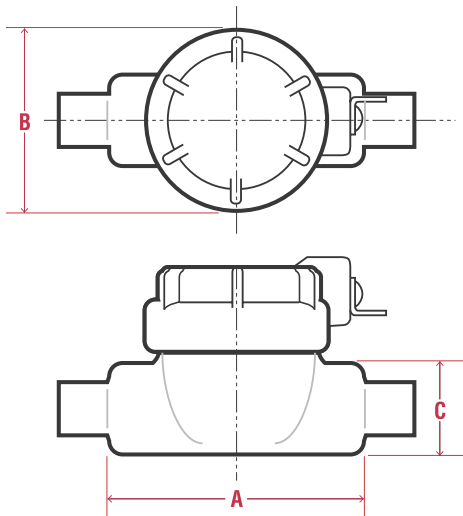
FOR SEALING IN ANY POSITION.

PIPE SIZE	FERROUS CATALOG #	NOMINAL WEIGHT	A	B	C	TURNING RADIUS
1/2"	PREZS1	2.0	4.19	3.71	2.58	1.88
3/4"	PREZS2	2.3	4.19	3.71	2.58	1.88
1"	PREZS3	2.7	4.94	4.05	3.08	2.13
1-1/4"	PREZS4	3.5	5.06	4.49	3.08	2.31
1-1/2"	PREZS5	4.0	5.19	4.64	3.33	2.34
2"	PREZS6	8.2	7.06	5.49	5.27	3.28
2-1/2"	PREZS7	8.5	7.94	5.92	5.27	3.38
3"	PREZS8	9.0	8.63	6.58	5.96	3.88

EZS - MALE/FEMALE HUBS WITH DRAIN.

FOR SEALING IN ANY POSITION.

PIPE SIZE	FERROUS CATALOG #	NOMINAL WEIGHT	A	B	C	TURNING RADIUS
1/2"	PREZS16	2.0	4.19	3.71	2.58	1.88
3/4"	PREZS26	2.4	4.19	3.71	2.58	1.88
1"	PREZS36	3.0	4.94	4.05	3.08	2.13
1-1/4"	PREZS46	4.0	5.06	4.49	3.08	2.31
1-1/2"	PREZS56	4.6	5.19	4.64	3.33	2.34
2"	PREZS66	6.9	7.06	5.49	5.27	3.28
2-1/2"	PREZS76	9.2	7.94	5.92	5.27	3.38
3"	PREZS86	8.7	8.63	6.58	5.96	3.88



EZD - FEMALE HUBS.

WITH DRAIN AND INSPECTION COVER.

PIPE SIZE	FERROUS CATALOG #	A	B	C	TURNING RADIUS
1/2"	PREZD111	4.19	3.08	3.46	2.06
3/4"	PREZD211	4.19	3.08	3.71	2.19
1"	PREZD311	4.94	3.58	3.96	2.44
1-1/4"	PREZD411	4.94	3.58	4.39	2.63
1-1/2"	PREZD511	5.19	3.58	4.64	2.69
2"	PREZD611	7.13	5.64	5.33	3.69



Contact us:
customerservice@plastibond.com



Visit www.plastibond.com
For more information