



Cast Device Boxes

Description:

Plasti-Bond device boxes and covers are available in several configurations and may be used in coated conduit systems to accommodate wiring devices, to serve as pull boxes for conductors, or to allow for splices and taps in conductors. Covers are available separately. Electrical continuity of the conduit system is maintained across assembled joints.

Features:

- 40 mil gray PVC exterior coating
- 2 mil red urethane interior coating
- 3 trade sizes from 1/2" through 1"
- Available in Standard (FS) and Deep (FD) Styles
- Internal grounding screw is standard
- Sealing sleeves on all conduit openings

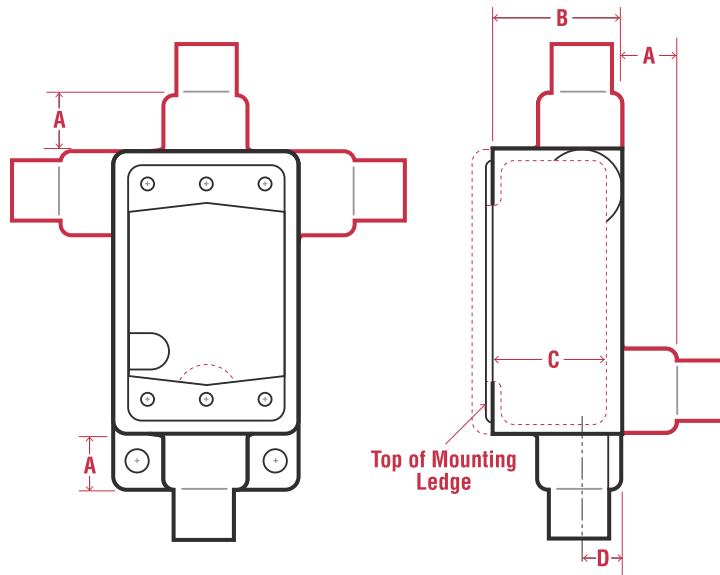
Standards:

Steel and Aluminum

- UL 514A, 514D (E231035)
- CSA C22.2 No. 18, CSA C22.2 No. 42

Cast Device Boxes – Single Gang

Single Gang FS/FD Series – Technical Data



All configurations offered in both 'FS' or 'FD' box depths. FS prefix: Shallow configuration, FD prefix: Deep configuration



FS SERIES (SHALLOW BOX) – SINGLE GANG DEAD END

PIPE SIZE	FERROUS CATALOG #	NOMINAL WEIGHT	A	B	C	D	ALUMINUM CATALOG #
1/2"	PRFS1	3.2	0.88	1.92	1.69	0.67	PRFS1SA*
3/4"	PRFS2	3.3	0.88	1.92	1.69	0.79	PRFS2SA*
1"	PRFS3	3.5	1.00	1.92	1.69	0.92	PRFS3SA*



FD SERIES (DEEP BOX) – SINGLE GANG DEAD END

PIPE SIZE	FERROUS CATALOG #	NOMINAL WEIGHT	A	B	C	D	ALUMINUM CATALOG #
1/2"	PRFD1	2.7	0.88	2.69	2.50	0.67	PRFD1SA*
3/4"	PRFD2	2.8	0.88	2.69	2.50	0.79	PRFD2SA*
1"	PRFD3	3.1	1.00	2.69	2.50	0.92	PRFD3SA*



FSC SERIES (SHALLOW BOX) – SINGLE GANG THROUGH FEED

PIPE SIZE	FERROUS CATALOG #	NOMINAL WEIGHT	A	B	C	D	ALUMINUM CATALOG #
1/2"	PRFSC1	2.2	0.88	1.92	1.69	0.67	PRFSC1SA*
3/4"	PRFSC2	2.4	0.88	1.92	1.69	0.79	PRFSC2SA*
1"	PRFSC3	2.7	1.00	1.92	1.69	0.92	PRFSC3SA*



FDC SERIES (DEEP BOX) – SINGLE GANG THROUGH FEED

PIPE SIZE	FERROUS CATALOG #	NOMINAL WEIGHT	A	B	C	D	ALUMINUM CATALOG #
1/2"	PRFDC1	2.7	0.88	2.69	2.50	0.67	PRFDC1SA*
3/4"	PRFDC2	2.8	0.88	2.69	2.50	0.79	PRFDC2SA*
1"	PRFDC3	3.1	1.00	2.69	2.50	0.92	PRFDC3SA*

* Available in copper free aluminum

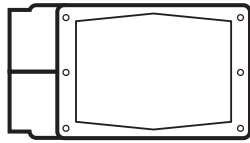


Contact us:
customerservice@plastibond.com



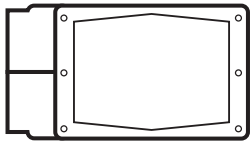
Visit www.plastibond.com
For more information

Single Gang FS/FD Series – Technical Data



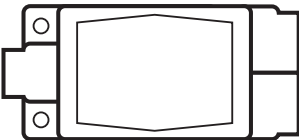
FSS SERIES

PIPE SIZE	FERROUS CATALOG #	NOMINAL WEIGHT	A	B	C	D	ALUMINUM CATALOG #
1/2"	PRFSS1	3.2	0.88	1.92	1.69	0.67	PRFSS1SA*
3/4"	PRFSS2	3.3	0.88	1.92	1.69	0.79	PRFSS2SA*
1"	PRFSS3	3.5	1.00	1.92	1.69	0.92	-



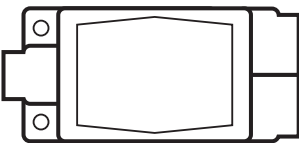
FDD SERIES

PIPE SIZE	FERROUS CATALOG #	NOMINAL WEIGHT	A	B	C	D	ALUMINUM CATALOG #
1/2"	PRFDD1	2.7	0.88	2.69	2.50	0.67	-
3/4"	PRFDD2	2.8	0.88	2.69	2.50	0.79	PRFDD2SA*
1"	PRFDD3	3.1	1.00	2.69	2.50	0.92	-



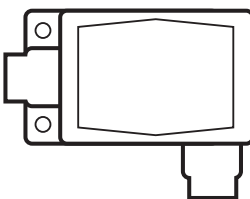
FSCC SERIES

PIPE SIZE	FERROUS CATALOG #	NOMINAL WEIGHT	A	B	C	D
1/2"	PRFSCC1	2.0	0.88	1.92	1.69	0.67
3/4"	PRFSCC2	2.2	0.88	1.92	1.69	0.79



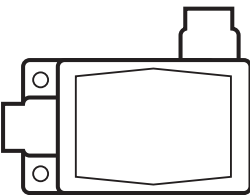
FDCC SERIES

PIPE SIZE	FERROUS CATALOG #	NOMINAL WEIGHT	A	B	C	D	ALUMINUM CATALOG #
1/2"	PRFDCC1	2.7	0.88	2.69	2.50	0.67	PRFDCC1SA*
3/4"	PRFDCC2	2.8	0.88	2.69	2.50	0.79	PRFDCC2SA*



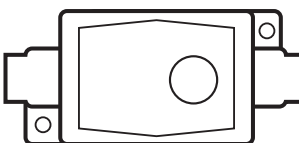
FDL SERIES

PIPE SIZE	FERROUS CATALOG #	NOMINAL WEIGHT	A	B	C	D
1/2"	PRFDL1	3.1	0.88	2.69	2.50	0.67
3/4"	PRFDL2	3.3	0.88	2.69	2.50	0.79



FDR SERIES

PIPE SIZE	FERROUS CATALOG #	NOMINAL WEIGHT	A	B	C	D
1/2"	PRFDR1	3.2	0.88	2.69	2.50	0.67
3/4"	PRFDR2	3.3	0.88	2.69	2.50	0.79



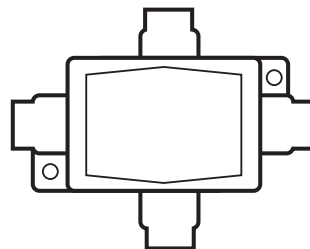
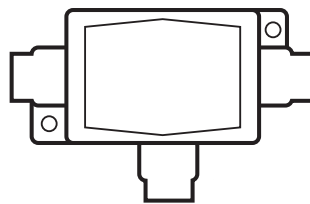
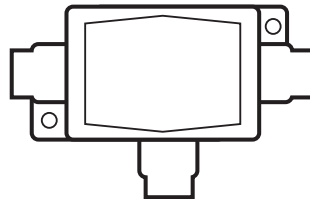
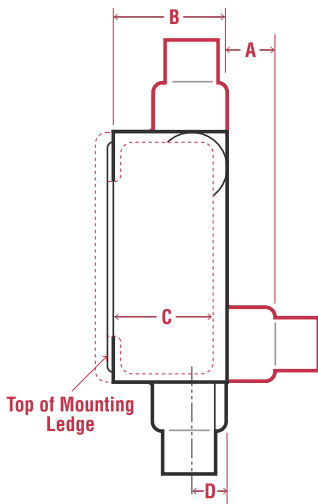
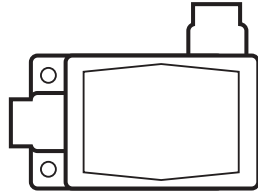
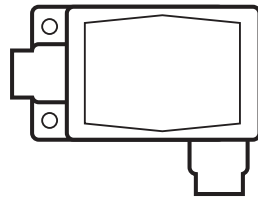
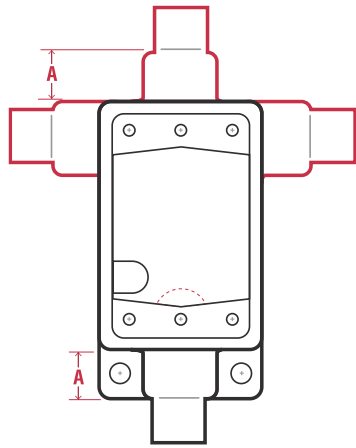
FSQA SERIES

PIPE SIZE	FERROUS CATALOG #	NOMINAL WEIGHT	A	B	C	D
1/2"	PRFSQA1	2.5	0.88	1.92	1.69	0.67
3/4"	PRFSQA2	3.5	0.88	1.92	1.69	0.79

* Available in copper free aluminum

Cast Device Boxes – Single Gang

Single Gang FS/FD Series – Technical Data *(continued)*



FSL SERIES

PIPE SIZE	CATALOG #	NOMINAL WEIGHT	A	B	C	D
1/2"	PRFSL1	2.5	0.88	1.92	1.69	0.67
3/4"	PRFSL2	2.7	0.88	1.92	1.69	0.79

FSR SERIES

PIPE SIZE	CATALOG #	NOMINAL WEIGHT	A	B	C	D
1/2"	PRFSR1	2.0	0.88	1.92	1.69	0.67
3/4"	PRFSR2	2.2	0.88	1.92	1.69	0.79

FDCT SERIES

PIPE SIZE	CATALOG #	NOMINAL WEIGHT	A	B	C	D
1/2"	PRFDCT1	3.1	0.88	2.69	2.50	0.67
3/4"	PRFDCT2	3.4	0.88	2.69	2.50	0.79
1"	PRFDCT3	3.9	1.00	2.69	2.50	0.92

FSCT SERIES

PIPE SIZE	CATALOG #	NOMINAL WEIGHT	A	B	C	D
1/2"	PRFSCT1	2.2	0.88	1.92	1.69	0.67
3/4"	PRFSCT2	2.5	0.88	1.92	1.69	0.79
1"	PRFSCT3	2.8	1.00	1.92	1.69	0.92

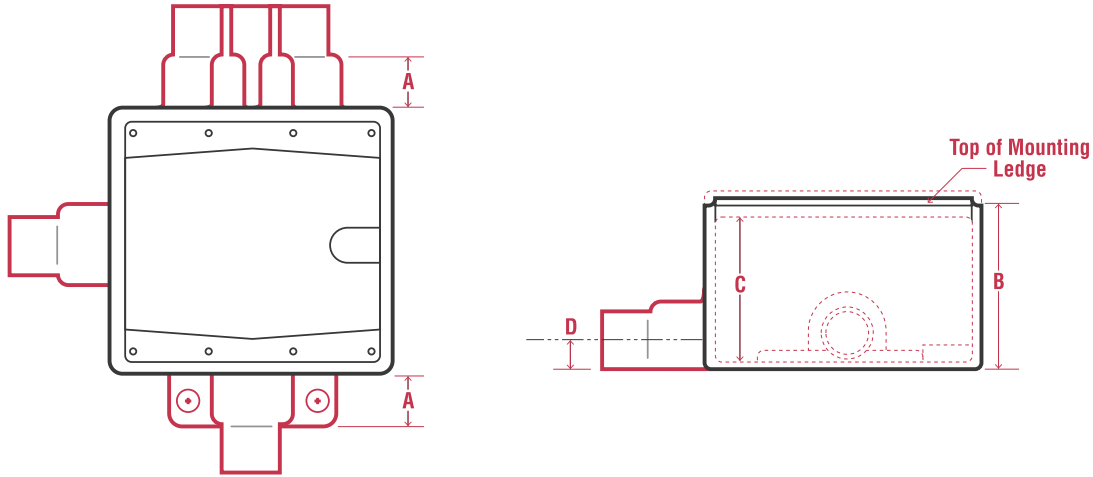
FSX SERIES

PIPE SIZE	CATALOG #	NOMINAL WEIGHT	A	B	C	D
1/2"	PRFSX1	2.5	0.88	1.92	1.69	0.67
3/4"	PRFSX2	2.7	0.88	1.92	1.69	0.79

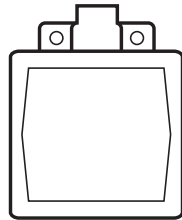
FDX SERIES

PIPE SIZE	CATALOG #	NOMINAL WEIGHT	A	B	C	D
1/2"	PRFDX1	2.5	0.88	2.69	2.50	0.67
3/4"	PRFDX2	2.7	0.88	2.69	2.50	0.79
1"	PRFDX3	2.5	1.00	2.69	2.50	0.92

Two Gang FS/FD Series – Technical Data



All configurations offered in both 'FS' or 'FD' box depths. FS prefix: Shallow configuration, FD prefix: Deep configuration



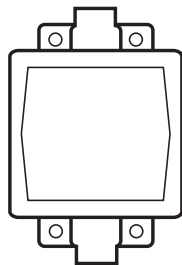
FS/FD
(Two Gang)

FS SERIES (SHALLOW BOX) – TWO GANG DEAD END

PIPE SIZE	FERROUS CATALOG #	NOMINAL WEIGHT	A	B	C	D	ALUMINUM CATALOG #
1/2"	PRFS12	3.3	0.88	1.92	1.69	0.67	PRFS12SA*
3/4"	PRFS22	3.4	0.88	1.92	1.69	0.79	PRFS22SA*
1"	PRFS32	3.6	1.00	1.92	1.69	0.92	-

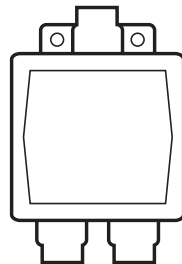
FD SERIES (DEEP BOX) – TWO GANG

PIPE SIZE	FERROUS CATALOG #	NOMINAL WEIGHT	A	B	C	D	ALUMINUM CATALOG #
1/2"	PRFD12	3.3	0.88	2.69	2.50	0.67	-
3/4"	PRFD22	3.3	0.88	2.69	2.50	0.79	PRFD22SA*
1"	PRFD32	3.6	1.00	2.69	2.50	0.92	-



FSC SERIES (SHALLOW BOX) – TWO GANG THROUGH FEED

PIPE SIZE	FERROUS CATALOG #	NOMINAL WEIGHT	A	B	C	D	ALUMINUM CATALOG #
1/2"	PRFSC12	3.3	0.88	1.92	1.69	0.67	-
3/4"	PRFSC22	3.6	0.88	1.92	1.69	0.79	-
1"	PRFSC32	4.0	1.00	1.92	1.69	0.92	-



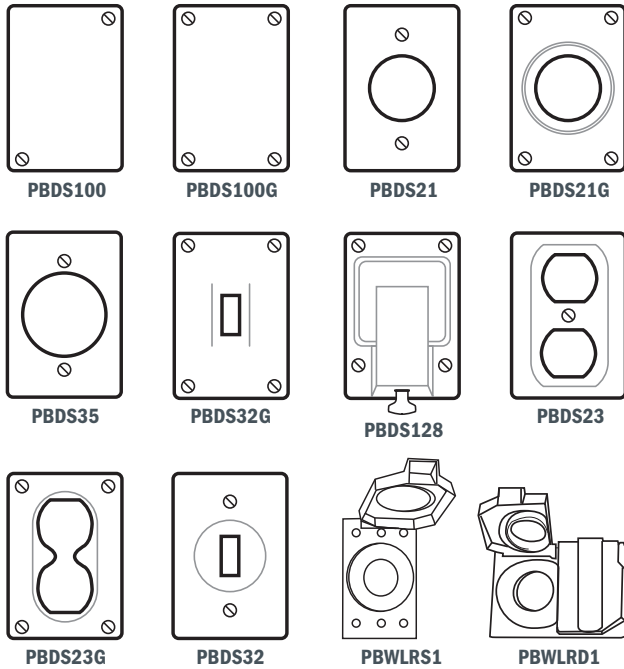
FSD SERIES

PIPE SIZE	FERROUS CATALOG #	NOMINAL WEIGHT	A	B	C	D	2 BOTTOM HUBS
3/4"	PRFSD212	2.5	0.88	2.69	1.69	.79	1/2"

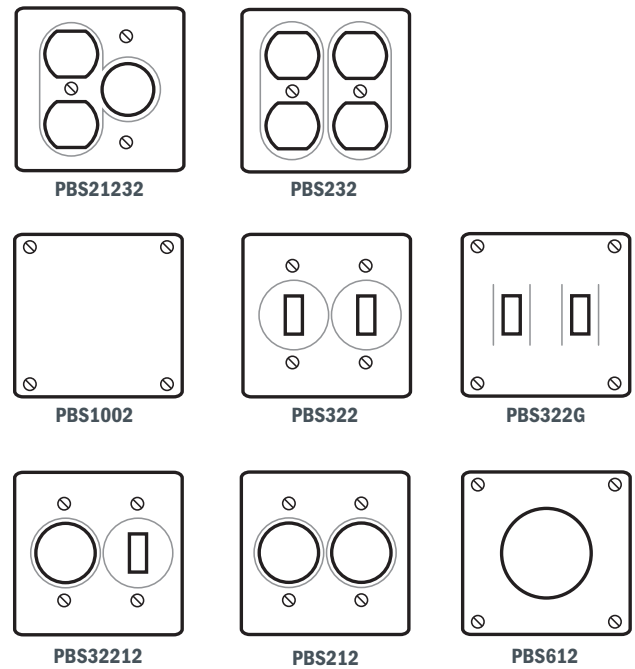
* Available in copper free aluminum

Cast Device Box Covers

FS/FD SINGLE GANG COVER CONFIGURATIONS



FS/FD 2 GANG COVER CONFIGURATIONS



FERROUS COVERS - ONE GANG

CATALOG #	DESCRIPTION	NOMINAL WEIGHT
PBDS32	GENERAL USE SNAP ON OR TOGGLE (S)	0.4
PBDS23G	DUPLEX CONVENIENCE RECEPTACLE (S,F)	0.4
PBDS35	PLUG RECEPTACLE 1 5/8" DIAMETER (S)	0.4
PBDS21	3P 2W GROUNDING ROUND FLUSH RECEPTACLES (S)	0.3
PBDS21G	3P 2W GROUNDING ROUND FLUSH RECEPTACLES (S,F)	0.3
PBDS23	DUPLEX CONVENIENCE RECEPTACLE (S)	0.3
PBDS32G	SQUARE HANDLE SNAP OR TOGGLE (S, F)	0.4

FERROUS COVERS - TWO GANG

CATALOG #	DESCRIPTION	NOMINAL WEIGHT
PBS1002	BLANK COVER SHEET STEEL (S)	1.0
PBS1002G	BLANK COVER IRON ALLOY (S,F)	1.0
PBS21232	ROUND RECEPTACLE + DUPLEX CONVENIENCE	1.2
PBS232	DUPLEX CONVENIENCE (S)	1.2
PBS322	SNAP SWITCH (S)	1.0
PBS32212	ROUND RECEPTACLE + SNAP SWITCH (S)	1.2
PBS212	TWO ROUND RECEPTACLES (S)	2.0
PBS612	20 AMP, 250 VOLT RECEPTACLE (S)	1.2
PBS322G	SNAP SWITCHES IRON ALLOY (S,F)	1.2

ALUMINUM COVERS - ONE GANG

CATALOG #	DESCRIPTION	NOMINAL WEIGHT
PBDS23SA	DUPLEX CONVENIENCE RECEPTACLE (S)	0.1
PBDS100	BLANK COVER (S)	0.1
PBDS128	SNAP SWITCH	0.5
PBDS100G	BLANK COVER CAST (S,F)	0.3
PBWLRD1	SPRING DOOR DUPLEX COVER 1 3/8" (F)	0.4
PBWLR1	SPRING DOOR SINGLE COVER 1 3/8" (F)	0.3
PBWLR2	SPRING DOOR SINGLE COVER 1 1/2" (F)	0.3
PRWLG-FS	SPRING DOOR COVER FOR GFCI (S) - HORIZONTAL	0.5
PRWLG-FSV	SPRING DOOR COVER FOR GFCI (S) - VERTICAL	0.5
PRWLG-F	SPRING DOOR COVER FOR GFCI (F) - HORIZONTAL	0.5



Contact us:
customerservice@plastibond.com

Visit www.plastibond.com
For more information