

CONDUIT OUTLET BOXES FOR HAZARDOUS LOCATIONS**GUA Series Technical Data****GUAB**

Pipe Size	FERROUS CATALOG #	Cover Opening	Nominal Weight	ALUMINUM CATALOG #	Product Dimensions			
					A	B	C	D
<input type="checkbox"/> 1/2"	PRGUAB14	2"	2.0	-	2.58	2.29	2.38	0.67
<input type="checkbox"/> 1/2"	PRGUAB16	3"	3.2	PRGUAB16SA	3.58	2.04	1.88	0.67
<input type="checkbox"/> 3/4"	PRGUAB24	2"	2.2	-	2.58	2.54	2.44	0.79
<input type="checkbox"/> 3/4"	PRGUAB26	3"	3.3	PRGUAB26SA	3.58	2.04	1.88	0.79
<input type="checkbox"/> 1"	PRGUAB36	3"	3.8	PRGUAB36SA	3.58	2.35	2.19	0.92
<input type="checkbox"/> 1-1/4"	PRGUAB47	3-5/8"	5.0	PRGUAB47SA	4.33	2.73	2.75	1.13
<input type="checkbox"/> 1-1/2"	PRGUAB59	5"	8.1	PRGUAB59SA	5.83	3.85	3.75	1.32
<input type="checkbox"/> 2"	PRGUAB69	5"	9.1	PRGUAB69SA	5.83	4.10	4.00	1.60

GUAC

Pipe Size	FERROUS CATALOG #	Cover Opening	Nominal Weight	ALUMINUM CATALOG #	Product Dimensions			
					A	B	C	D
<input type="checkbox"/> 1/2"	PRGUAC14	2"	3.5	-	2.58	2.29	2.19	0.67
<input type="checkbox"/> 1/2"	PRGUAC16	3"	2.0	PRGUAC16SA	3.58	2.04	1.88	0.67
<input type="checkbox"/> 3/4"	PRGUAC24	2"	3.5	PRGUAC24SA	2.58	2.04	2.00	0.79
<input type="checkbox"/> 3/4"	PRGUAC26	3"	2.0	PRGUAC26SA	3.58	2.04	1.88	0.79
<input type="checkbox"/> 1"	PRGUAC36	3"	3.9	PRGUAC36SA	3.58	2.35	2.19	0.92
<input type="checkbox"/> 1-1/4"	PRGUAC47	3-5/8"	5.2	PRGUAC47SA	4.33	2.73	2.75	1.13
<input type="checkbox"/> 1-1/4"	PRGUAC49	5"	9.5	-	5.83	3.85	3.75	1.20
<input type="checkbox"/> 1-1/2"	PRGUAC59	5"	11.0	PRGUAC59SA	5.83	3.85	3.75	1.32
<input type="checkbox"/> 2"	PRGUAC69	5"	11.0	PRGUAC69SA	5.83	4.10	4.00	1.60

GUAL

Pipe Size	FERROUS CATALOG #	Cover Opening	Nominal Weight	ALUMINUM CATALOG #	Product Dimensions			
					A	B	C	D
<input type="checkbox"/> 1/2"	PRGUAL14	2"	2.0	-	2.58	2.29	2.19	0.67
<input type="checkbox"/> 1/2"	PRGUAL16	3"	2.1	PRGUAL16SA	3.58	2.04	1.88	0.67
<input type="checkbox"/> 3/4"	PRGUAL24	2"	3.2	PRGUAL24SA	2.58	2.54	2.44	0.79
<input type="checkbox"/> 3/4"	PRGUAL26	3"	2.5	PRGUAL26SA	3.58	2.04	1.88	0.79
<input type="checkbox"/> 1"	PRGUAL36	3"	3.7	PRGUAL36SA	3.58	2.35	2.19	0.92
<input type="checkbox"/> 1-1/4"	PRGUAL47	3-5/8"	5.2	PRGUAL47SA	4.33	2.73	2.75	1.13
<input type="checkbox"/> 1-1/4"	PRGUAL49	5"	8.5	-	5.83	3.85	3.75	1.20
<input type="checkbox"/> 1-1/2"	PRGUAL59	5"	11.2	PRGUAL59SA	5.83	3.85	3.75	1.32
<input type="checkbox"/> 2"	PRGUAL69	5"	12.5	PRGUAL69SA	5.83	4.10	4.00	1.60

GUAN

Pipe Size	CATALOG #	Cover Opening	Nominal Weight	Product Dimensions			
				A	B	C	D
<input type="checkbox"/> 1/2"	PRGUAN14	2"	2.0	2.58	2.17	2.06	0.67
<input type="checkbox"/> 1/2"	PRGUAN16	3"	3.8	3.58	2.04	1.88	0.79
<input type="checkbox"/> 3/4"	PRGUAN24	2"	2.5	2.58	2.35	2.25	0.79
<input type="checkbox"/> 3/4"	PRGUAN26	3"	3.5	3.58	2.04	1.88	0.79
<input type="checkbox"/> 1"	PRGUAN36	3"	3.0	3.58	2.35	2.38	0.92
<input type="checkbox"/> 1-1/4"	PRGUAN47	3-5/8"	5.2	4.33	2.73	2.75	1.13
<input type="checkbox"/> 1-1/2"	PRGUAN59	5"	9.5	5.83	4.10	4.00	1.32
<input type="checkbox"/> 2"	PRGUAN69	5"	12.0	5.83	4.10	4.00	1.60

GUAT

Pipe Size	FERROUS CATALOG #	Cover Opening	Nominal Weight	ALUMINUM CATALOG #	Product Dimensions			
					A	B	C	D
<input type="checkbox"/> 1/2"	PRGUAT14	2"	2.0	-	2.58	2.29	2.19	0.67
<input type="checkbox"/> 1/2"	PRGUAT16	3"	2.8	PRGUAT16SA	3.58	2.04	1.88	0.67
<input type="checkbox"/> 3/4"	PRGUAT24	2"	2.2	-	2.58	2.04	2.00	0.79
<input type="checkbox"/> 3/4"	PRGUAT26	3"	3.5	PRGUAT26SA	3.58	2.04	1.88	0.79
<input type="checkbox"/> 1"	PRGUAT36	3"	3.2	PRGUAT36SA	3.58	2.35	2.19	0.92
<input type="checkbox"/> 1-1/4"	PRGUAT47	3-5/8"	5.7	PRGUAT47SA	4.33	2.73	2.75	1.13
<input type="checkbox"/> 1-1/2"	PRGUAT59	5"	9.1	PRGUAT59SA	5.83	3.85	3.75	1.32
<input type="checkbox"/> 2"	PRGUAT69	5"	10.0	PRGUAT69SA	5.83	4.10	4.00	1.60

GUAW

Pipe Size	CATALOG #	Cover Opening	Nominal Weight	Product Dimensions			
				A	B	C	D
<input type="checkbox"/> 1/2"	PRGUAW14	2"	2.0	2.58	1.85	1.75	0.67
<input type="checkbox"/> 1/2"	PRGUAW16	3"	2.0	3.58	2.04	1.88	0.67
<input type="checkbox"/> 3/4"	PRGUAW24	2"	3.0	2.58	2.04	2.00	0.79
<input type="checkbox"/> 3/4"	PRGUAW26	3"	3.0	3.58	2.04	1.88	0.79

GUAD

Pipe Size	FERROUS CATALOG #	Cover Opening	Nominal Weight	Product Dimensions			
				A	B	C	D
<input type="checkbox"/> 1/2"	PRGUAD14	2"	2.0	2.58	1.85	1.75	0.67
<input type="checkbox"/> 1/2"	PRGUAD16	3"	3.2	3.58	2.04	1.88	0.67
<input type="checkbox"/> 3/4"	PRGUAD24	2"	3.5	2.58	2.04	2.00	0.79
<input type="checkbox"/> 3/4"	PRGUAD26	3"	3.8	3.58	2.04	1.88	0.79
<input type="checkbox"/> 1"	PRGUAD36	3"	3.8	3.58	2.35	2.19	0.92
<input type="checkbox"/> 1-1/4"	PRGUAD49	5"	10.9	5.83	3.85	3.75	1.13

GUAX

Pipe Size	FERROUS CATALOG #	Cover Opening	Nominal Weight	ALUMINUM CATALOG #	Product Dimensions			
					A	B	C	D
<input type="checkbox"/> 1/2"	PRGUAX14	2"	2.0	-	2.58	1.85	1.75	0.67
<input type="checkbox"/> 1/2"	PRGUAX16	3"	3.8	PRGUAX16SA	3.58	2.04	1.88	0.67
<input type="checkbox"/> 3/4"	PRGUAX24	2"	2.5	PRGUAX24SA	2.58	2.04	2.00	0.79
<input type="checkbox"/> 3/4"	PRGUAX26	3"	2.8	PRGUAX26SA	3.58	2.04	1.88	0.79
<input type="checkbox"/> 1"	PRGUAX36	3"	4.2	PRGUAX36SA	3.58	2.35	2.19	0.92
<input type="checkbox"/> 1-1/4"	PRGUAX47	3-5/8"	4.8	PRGUAX47SA	4.33	2.73	2.75	1.13
<input type="checkbox"/> 1-1/2"	PRGUAX59	5"	11.7	PRGUAX59SA	5.83	3.85	3.75	1.32
<input type="checkbox"/> 2"	PRGUAX69	5"	12.5	PRGUAX69SA	5.83	4.10	4.00	1.60

APPROVAL STAMP

PLASTI-BOND REDH₂OT GUA SERIES OUTLET BOXES

CONDUIT OUTLET BOXES FOR HAZARDOUS LOCATIONS



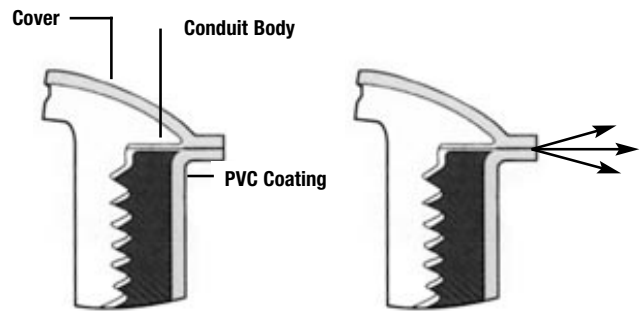
PRGUAT26

GUA Series Specifications

PLASTI-BOND REDH₂OT GUA series conduit outlet boxes are installed in hazardous location conduit systems to serve as pull and splice boxes, to change the direction of a conduit run, to connect runs of conduit, or to provide access to conductors. They are provided with covers as standard. Inquire about special covers to allow use to mount lighting fixtures or as sealing fittings. Electrical continuity of the conduit system is maintained across assembled joints.

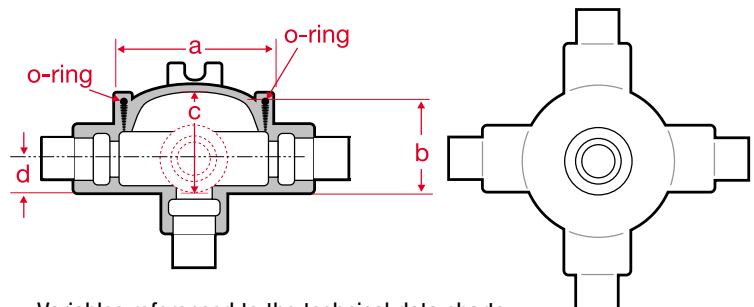
- 40 mil gray PVC exterior coating
- 2 mil red urethane interior coating
- Trade sizes from 1/2" through 2" in various styles and configurations
- Sealing sleeves on all conduit openings
- Neoprene O-ring is standard
- Molded-in PVC seal preserves venting characteristics of fitting but seals out corrosives
- Standard material is a cast iron alloy body with a copper-free aluminum cover. Consult Factory for availability of cast iron covers
- Internal green grounding screw is standard

- National Electrical Code:
 - Class I, Groups C, D
 - Class II, Groups E, F, G
 - Class III
- UL Standard 886
- ANSI Standard C-33.27
- CSA Standard: C22.2 No. 30
- NEMA/EEMAC 3,4



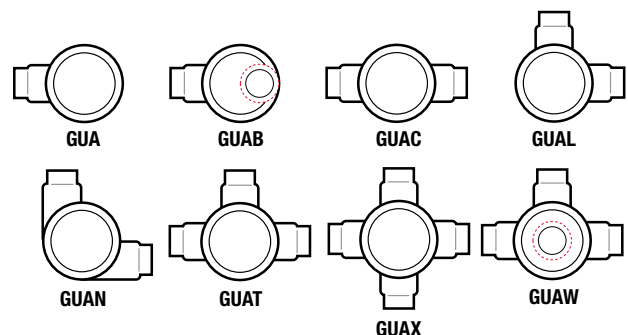
An integral PVC gasket on GUA type fittings preserves the venting characteristics of the uncoated fitting but prevents corrosive liquids from entering from the outside.

GUA Series Dimensions



Variables referenced to the technical data charts

GUA Series Configurations



APPROVAL STAMP

APPLICATION

FEATURES

COMPLIANCES