

Sealing Fittings

Catalog Number: PREYS16
UPC: 784011206582

Description

1/2 Inch EYS M/F Sealing Fitting (V)

PVC coated Sealing Fittings are used in conduit runs to stop gasses, vapors or flames from migrating from one part of the conduit system to another, thus limiting the spread of any potential explosion and enhancing safety. The PVC and urethane coatings of the fittings protects them from corrosive atmospheres so they can continue to function in hazardous locations.



Application

- Stop gasses, vapors or flames from migrating from one part of the conduit system to another, thus limiting the spread of any potential explosion and enhancing safety

Features

- 40 mil gray PVC exterior coating
- 2 mil red urethane interior coating
- 10 trade sizes from 1/2" through 4"
- Sealing sleeves on all conduit openings

General

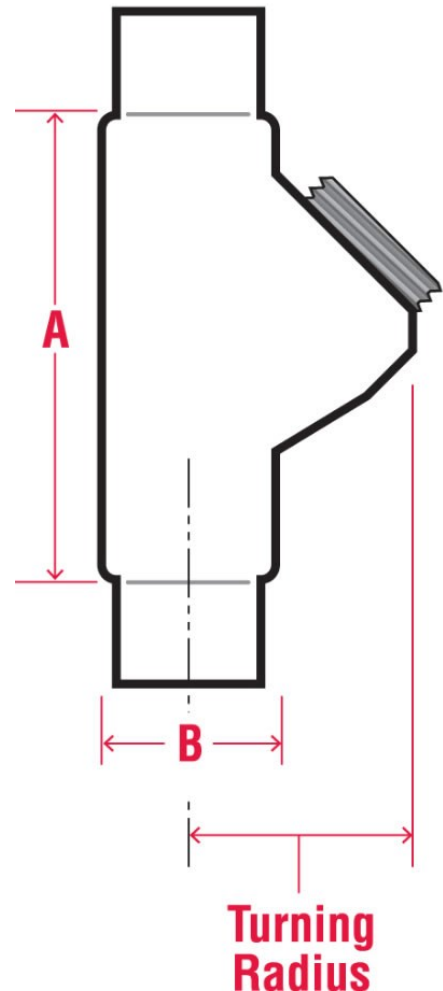
Material:	FERROUS METAL
Exterior Finish:	A nominal .040 inch (40 mil) gray PVC coating
Interior Finish:	A nominal .002 inch (2 mil) red urethane
Sealing Sleeves:	All conduit openings
Sealing Orientation:	Vertical ONLY
Hub Type:	Male/Female
Drain:	Continuous, automatic drainage of condensate

Dimensions

Dimension A (Inches)	3.28
Dimension B (Inches)	1.33
Turning Radius	1.63
Nominal Weight (Pounds)	1.5

Technical / Specification Documents

Specification Guide (1995 Master)	AVAILABLE ON WEBSITE
Specification Guide (2004 Master)	AVAILABLE ON WEBSITE
Installer Certification and Tools	AVAILABLE ON WEBSITE
Chemical Resistance Charts	AVAILABLE ON WEBSITE
Performance Specifications	AVAILABLE ON WEBSITE





Sealing Fittings

Catalog Number: PREYS16
UPC: 784011206582

Standards

NEC/CEC:	Class I, Division 1 & 2, Groups A, B, C, D
NEC/CEC:	Class II, Division 1, Groups E, F, G
NEC/CEC:	Class II, Division 2, Groups F, G
NEC/CEC:	Class III

Notes

These sealing fittings should be used with a suitable system of sealing compound, such as Chico A, Chico X or Chico A-P from Crouse-Hinds. Follow the installation instructions included with the sealing compound.

