

CAST DEVICE BOXES

FS/FD Series Technical Data

FS SERIES (SHALLOW BOX) – SINGLE GANG DEAD END

Pipe Size	FERROUS CATALOG #	Nominal Weight	A	B	C	D	ALUMINUM CATALOG #
1/2"	PRFS1	3.2	1.38	1.92	1.69	0.67	PRFS1SA
3/4"	PRFS2	3.3	1.63	1.92	1.69	0.79	PRFS2SA
1"	PRFS3	3.5	2.00	1.92	1.69	0.92	–

FS SERIES (SHALLOW BOX) – TWO GANG DEAD END

Pipe Size	FERROUS CATALOG #	Nominal Weight	A	B	C	D	ALUMINUM CATALOG #
1/2"	PRFS12	3.3	1.38	1.92	1.69	0.67	PRFS12SA
3/4"	PRFS22	3.4	1.63	1.92	1.69	0.79	PRFS22SA
1"	PRFS32	3.6	2.00	1.92	1.69	0.92	–

FD SERIES (DEEP BOX) – SINGLE GANG DEAD END

Pipe Size	FERROUS CATALOG #	Nominal Weight	A	B	C	D	ALUMINUM CATALOG #
1/2"	PRFD1	2.7	1.38	1.92	2.69	.67	PRFD1SA
3/4"	PRFD2	2.8	1.63	1.92	2.69	0.79	PRFD2SA
1"	PRFD3	3.1	2.00	1.92	2.69	0.92	PRFD3SA

FDL SERIES

Pipe Size	CATALOG #	Nominal Weight	A	B	C	D
1/2"	PRFDL1	3.1	1.38	1.92	2.69	0.67
3/4"	PRFDL2	3.3	1.63	1.92	2.69	0.79

FDR SERIES

Pipe Size	CATALOG #	Nominal Weight	A	B	C	D
1/2"	PRFDR1	3.2	1.38	1.92	2.69	0.67
3/4"	PRFDR2	3.3	1.63	1.92	2.69	0.79

FSKA SERIES

Pipe Size	CATALOG #	Nominal Weight	A	B	C	D
1/2"	PRFSKA1	2.5	1.38	1.92	1.69	0.67
3/4"	PRFSKA2	3.5	1.63	1.92	1.69	0.79

FSCT SERIES

Pipe Size	CATALOG #	Nominal Weight	A	B	C	D
1/2"	PRFSCT1	2.2	1.38	1.92	1.69	0.67
3/4"	PRFSCT2	2.5	1.63	1.92	1.69	0.79
1"	PRFSCT3	2.8	2.00	1.92	1.69	0.79

FSKC SERIES

Pipe Size	CATALOG #	Nominal Weight	A	B	C	D
1/2"	PRFSKC1	2.0	1.38	1.92	1.69	0.67
3/4"	PRFSKC2	2.2	1.63	1.92	1.69	0.79

FSC SERIES (SHALLOW BOX) – SINGLE GANG THROUGH FEED

Pipe Size	FERROUS CATALOG #	Nominal Weight	A	B	C	D	ALUMINUM CATALOG #
1/2"	PRFSC1	2.2	1.38	1.92	1.69	0.67	PRFSC1SA
3/4"	PRFSC2	2.4	1.63	1.92	1.69	0.79	PRFSC2SA
1"	PRFSC3	2.7	2.00	1.92	1.69	0.92	–

FSC SERIES (SHALLOW BOX) – TWO GANG THROUGH FEED

Pipe Size	FERROUS CATALOG #	Nominal Weight	A	B	C	D	ALUMINUM CATALOG #
1/2"	PRFSC12	3.3	1.38	1.92	1.69	0.67	–
3/4"	PRFSC222	3.6	1.63	1.92	1.69	0.79	–
1"	PRFSC32	4.0	2.00	1.92	1.69	0.92	–

FDC SERIES (DEEP BOX) – SINGLE GANG THROUGH FEED

Pipe Size	FERROUS CATALOG #	Nominal Weight	A	B	C	D	ALUMINUM CATALOG #
1/2"	PRFDC1	2.7	1.38	1.92	2.69	0.67	PRFDC1SA
3/4"	PRFDC2	2.8	1.63	1.92	2.69	0.79	PRFDC2SA
1"	PRFDC3	3.1	2.00	1.92	2.69	0.92	PRFDC3SA

FSD SERIES

Pipe Size	CATALOG #	Nominal Weight	A	B	C	D
3/4"	PRFSD212	2.5	1.63	1.92	1.69	.79

FSL SERIES

Pipe Size	CATALOG #	Nominal Weight	A	B	C	D
1/2"	PRFSL1	2.5	1.38	1.92	1.69	0.67
3/4"	PRFSL2	2.7	1.63	1.92	1.69	0.79

FSR SERIES

Pipe Size	CATALOG #	Nominal Weight	A	B	C	D
1/2"	PRFSR1	2.0	1.38	1.92	1.69	0.67
3/4"	PRFSR2	2.2	1.63	1.92	1.69	0.79

FDCT SERIES

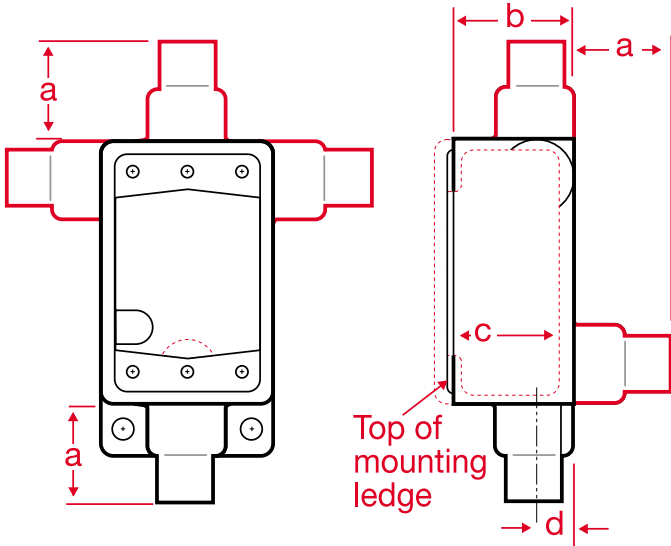
Pipe Size	CATALOG #	Nominal Weight	A	B	C	D
1/2"	PRFDCT1	3.1	1.38	1.92	2.69	0.67
3/4"	PRFDCT2	3.4	1.63	1.92	2.69	0.79
1"	PRFDCT3	3.9	2.00	1.92	2.69	0.92

APPROVAL STAMP

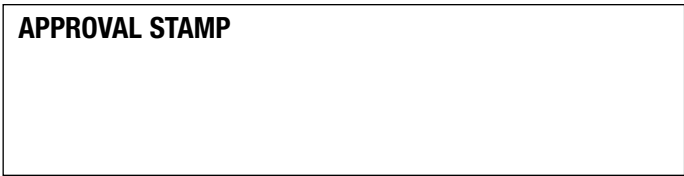
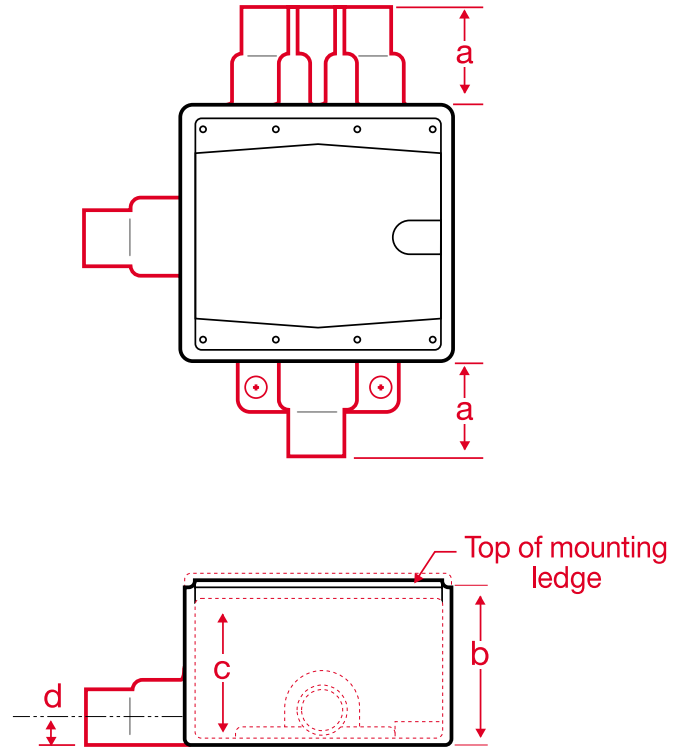
CAST DEVICE BOXES

FS/FD Series Dimensions

FS/FD Single Gang Dimensional Drawings



FS/FD 2 Gang Dimensional Drawings



FS/FD Series Configurations

All configurations offered in both 'FS' or 'FD' box depths. FS prefix: Shallow configuration, FD prefix: Deep configuration

