

VEGA UNIVERSAL HEATSINK SLIDE DIMMER

LIGHTOLIER®
CONTROLS

DESIGNER-STYLE, SLIDE DIMMER
FOR ADVANCE MARK 10®
DIMMABLE ELECTRONIC BALLASTS
HIGH-WATTAGE: 1500W 120/277V

Project: _____

Location/Type: _____

Description

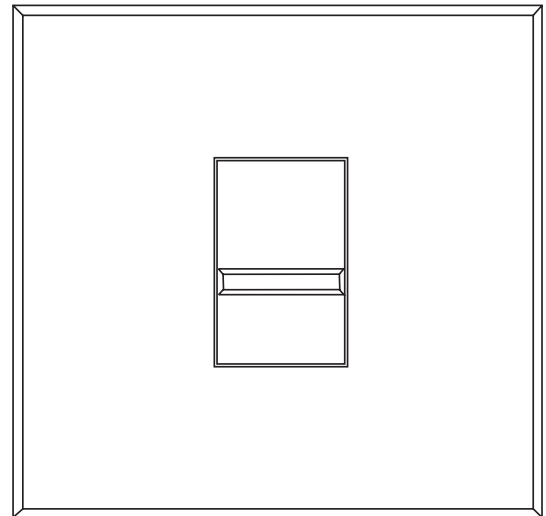
The Vega EBU Fluorescent Electronic Slide Dimmer is 1500W, 120/277V, 60Hz, designer-style vertical slide dimmer, developed for high-wattage use. This unit is designed to control permanently installed fluorescent loads with direct drive forward phase Advance Mark 10® ballasts.

Features

- Streamlined appearance and operations
- The integral captive slide knob has extended travel for full-range dimming control
- Voltage compensation
- Positive click-off feature
- Power failure memory
- Single-pole only
- UL Listed to U.S. and Canadian safety standards

Operation

- **Turn the light on:**
 - Slide the knob to the desired lighting level.
- **Turn the light off:**
 - Press the knob downward until it clicks into the positive off position.



V1500EBU
Faceplate Included

Description	Model Number	Color Suffix
Vega Heatsink Slide Dimmer	V1500EBU	W I *AL *GR *BL *BR

W=White, I=Ivory, AL=Almond, GR=Grey, BL=Black, BR=Brown
*Requires Vega Color Kit, sold separately, Vega Color Kits are available in Almond, Grey, Black, and Brown.



VEGA UNIVERSAL HEATSINK SLIDE DIMMER

Product Specifications

Specifications

The Vega EBU dimmer is UL Listed to U.S. and Canadian safety standards for 120/277VAC, 60Hz, 1500W operation to control Advance Mark 10® dimmable electronic ballasts.

The unit incorporates an air-gap switch, which is accessible without removing the wallplate. It also includes a power-failure memory. If power is interrupted and then returns, lights will come back on to the same level set prior to the power interruption.

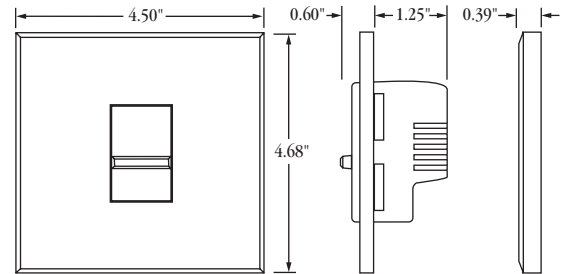
The dimmer is designed to withstand voltage and current surges in accordance with ANSI/IEEE std. C62.41-1980. The dimmer is designed to include voltage compensation circuitry that adjusts the firing angle of the dimmer to compensate light output for variations in the AC line voltage.

The dimmer control is linear slide. It is designed to provide a smooth and continuous Square Law Dimming curve.

The device mounts in a single-gang wall box and includes a thin-profile faceplate.

Vega dimmers are designed for "No Fins Broken" installation only.

Dimensions



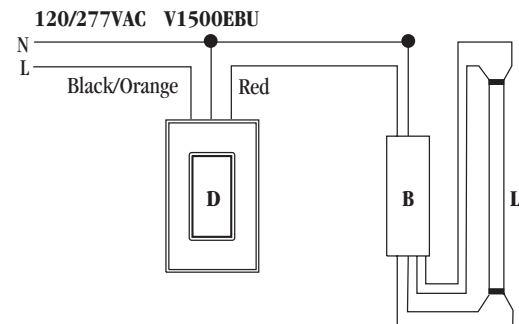
V1500EBU

Ballast Chart

V1500EBU DIMMER CAPACITY PER LAMP WATTAGE

Lamp Watts	Lamp Type	Ballast Model 120VAC	# of Ballast	Ballast Model 277VAC	# of Ballast
26	T4	REZ-1T32	48	VEZ-1T32	60
32	T4	REZ-1T32	39	VEZ-1T32	60
42	T4	REZ-1T42	30	VEZ-1T32	60
26	T4	REZ-2Q26	26	VEZ-2Q26	52
40	T5	REZ-1TTS40	36	VEZ-1TTS40	60
40	T5	REZ-2TTS40	18	VEZ-2TTS40	36
25	T8	REZ-1S32	48	VEZ-1S32	60
25	T8	REZ-2S32	25	VEZ-2S32	50
25	T8	REZ-2S32	16	VEZ-3S32	32
32	T8	REZ-1S32	41	VEZ-1S32	60
32	T8	REZ-2S32	20	VEZ-2S32	40
32	T8	REZ-3S32	14	VEZ-3S32	28
32	T8	REZ-2S32	20	VEZ-2S32	40
32	T8	REZ-3S32	14	VEZ-3S32	28

Wiring Diagram



Key: D=Dimmer, B=Ballast, L=Lamp



This product may be covered by one or more of the following U.S. Patents: #4,413,211; 4,430,576; 4,465,956; 4,733,138; 4,792,731; 4,880,950; 4,988,840; 4,992,709; 5,004,969; 5,128,654; 5,153,816; 5,189,259; 5,194,858; 5,239,255; 5,371,439; 5,371,444; 5,636,111; 5,642,104; 5,646,490; Des. 307,578; Des. 333,124; License 4,482,844 and corresponding foreign patents. Other Utility, Design and Foreign Patents Pending.

We reserve the right to change details of design, materials and finish in any way that will not alter the installed appearance or reduce function performance.

Lightolier® Controls

A Genlyte Company

10911 Petal Street • Dallas, Texas 75238

For technical/sales assistance, call: 1-800-526-2731

Made in U.S.A. ©Lightolier® Controls 2005

www.lolcontrols.com P/N 87-0340A